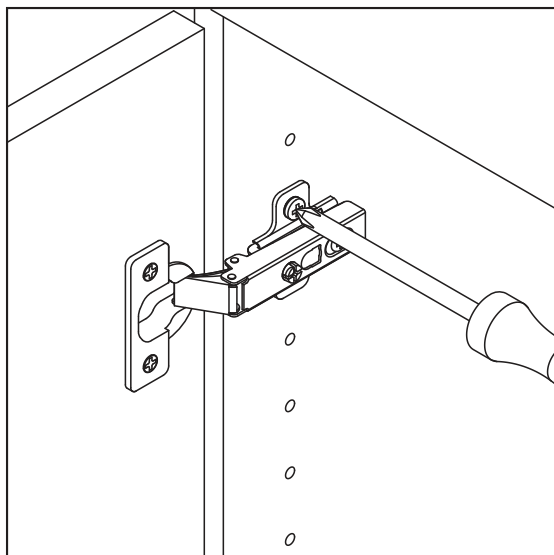
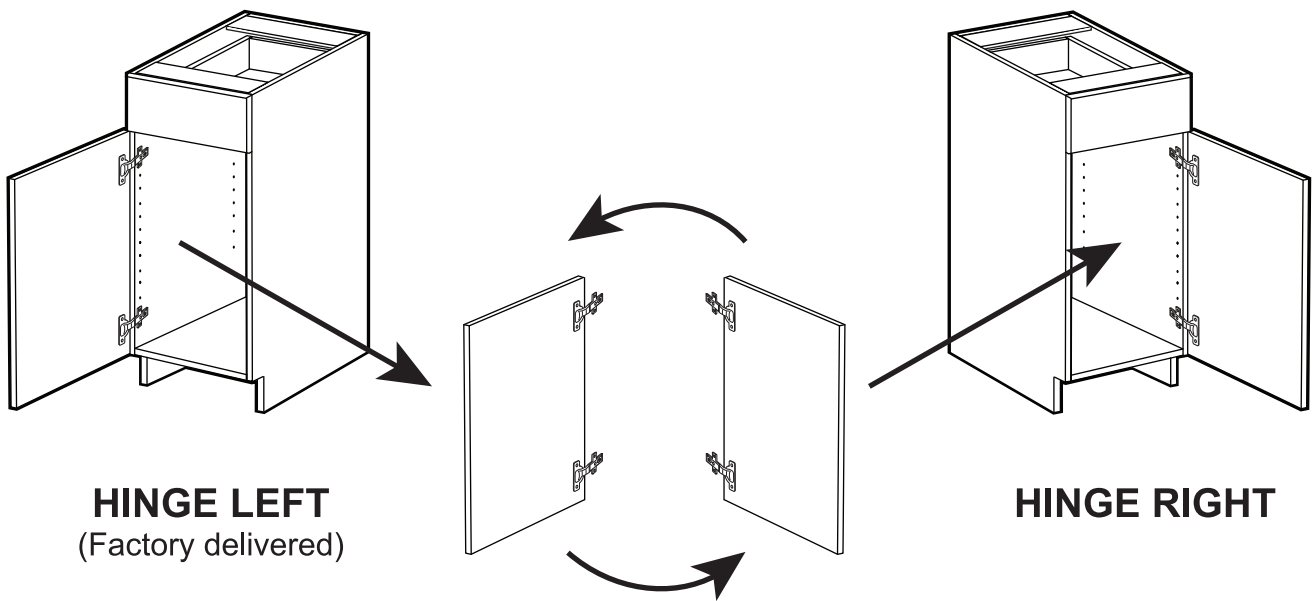


ASINS-DSC1.0

CHANGING YOUR CABINET DOOR SWING

All single door base cabinets will arrive with the hinges on the left side. If you would like to change the swing of the door. Simply remove the door hinges and place the door on the other side.

NOTE: THIS MUST BE DONE BEFORE YOU DRILL FOR THE HANDLES AND KNOBS.



To remove the door loosen the screws on the top and bottom of the hinge plate. Then rotate the door and install on the opposite side.