



For assistance visit  
 Weatherstrong.com  
 888-845-0004



30" Grill Base



42" Grill Base



48" Grill Base

**Assembly Instructions – GB3027**

30" wide x 27" deep Grill Base Cabinet

**Assembly Instructions – GB4227**

42" wide x 27" deep Grill Base Cabinet

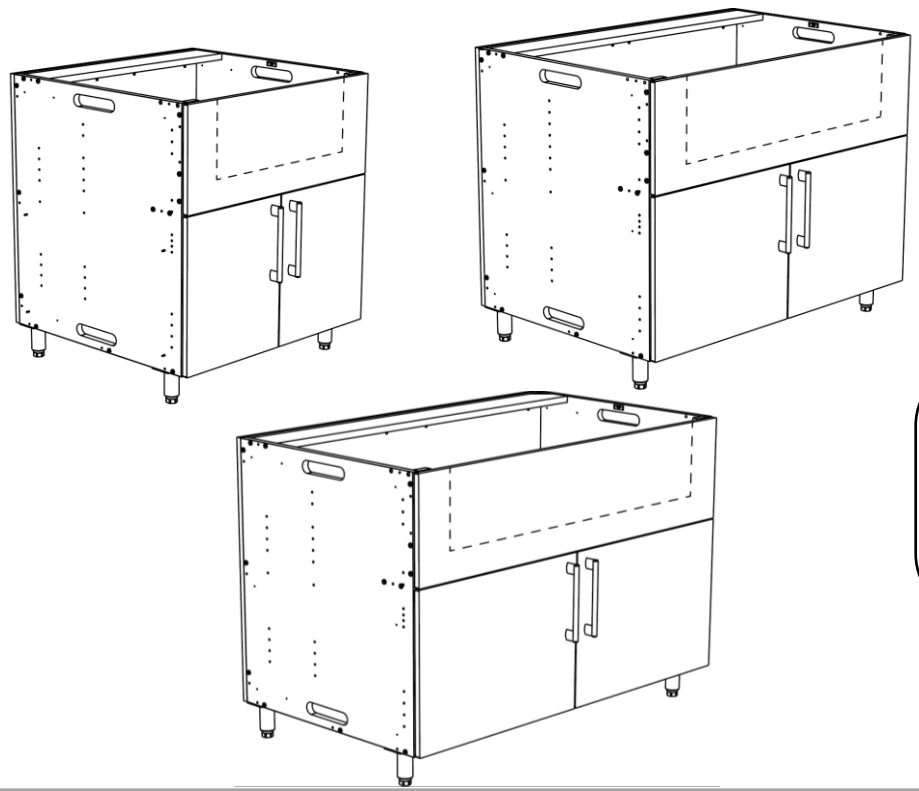
**Assembly Instructions – GB4827**

48" wide x 27" deep Grill Base Cabinet

Requires:	Description:
1 – C7	30" wide Grill Cabinet Panel Kit
1 – A5	30" Grill Apron Front - HDPE
1 – D7	Doors & Back Panel Pack - HDPE
1 - E1	Cabinet End Panel Pack - 1-Pair
1 - K3	Assembly Hardware & Legs Kit 03

Requires:	Description:
1 – C3	42" wide Grill Cabinet Panel Kit
1 – A4	42" Grill Apron Front - HDPE
1 - D3	Doors & Back Panel Pack - HDPE
1 - E1	Cabinet End Panel Pack - 1-Pair
1 - K3	Assembly Hardware & Legs Kit 03

Requires:	Description:
1 – C9	48" wide Grill Cabinet Panel Kit
1 – A6	48" Grill Apron Front - HDPE
1 – D9	Doors & Back Panel Pack - HDPE
1 - E1	Cabinet End Panel Pack - 1-Pair
1 - K3	Assembly Hardware & Legs Kit 03



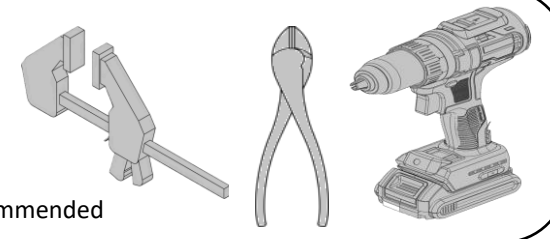
Before you start assembly, inspect all panels and hardware to ensure nothing is damaged and that you have everything required.

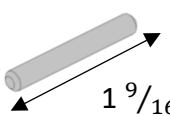
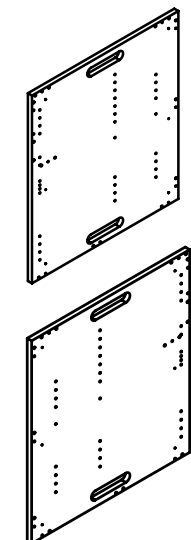
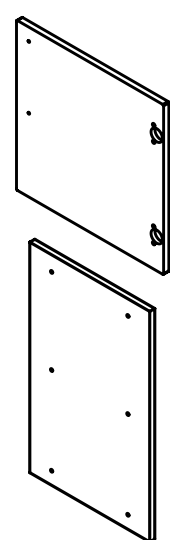
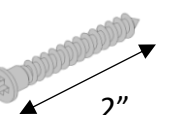
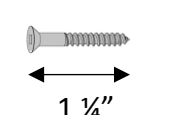
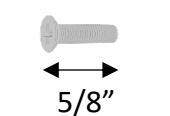
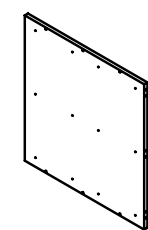
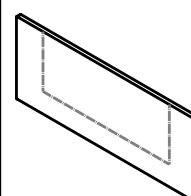
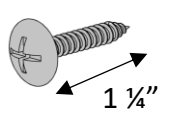
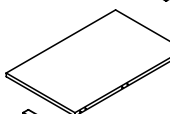
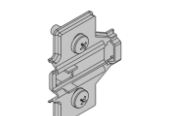

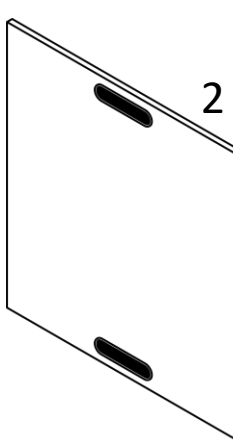
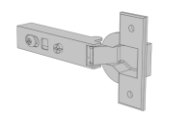
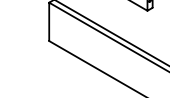

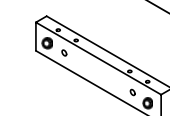
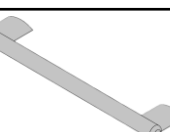
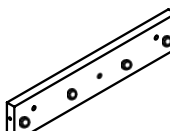
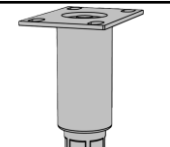
We recommend laying the components on the provided packaging to protect the finish when assembling.

**Required Tools**

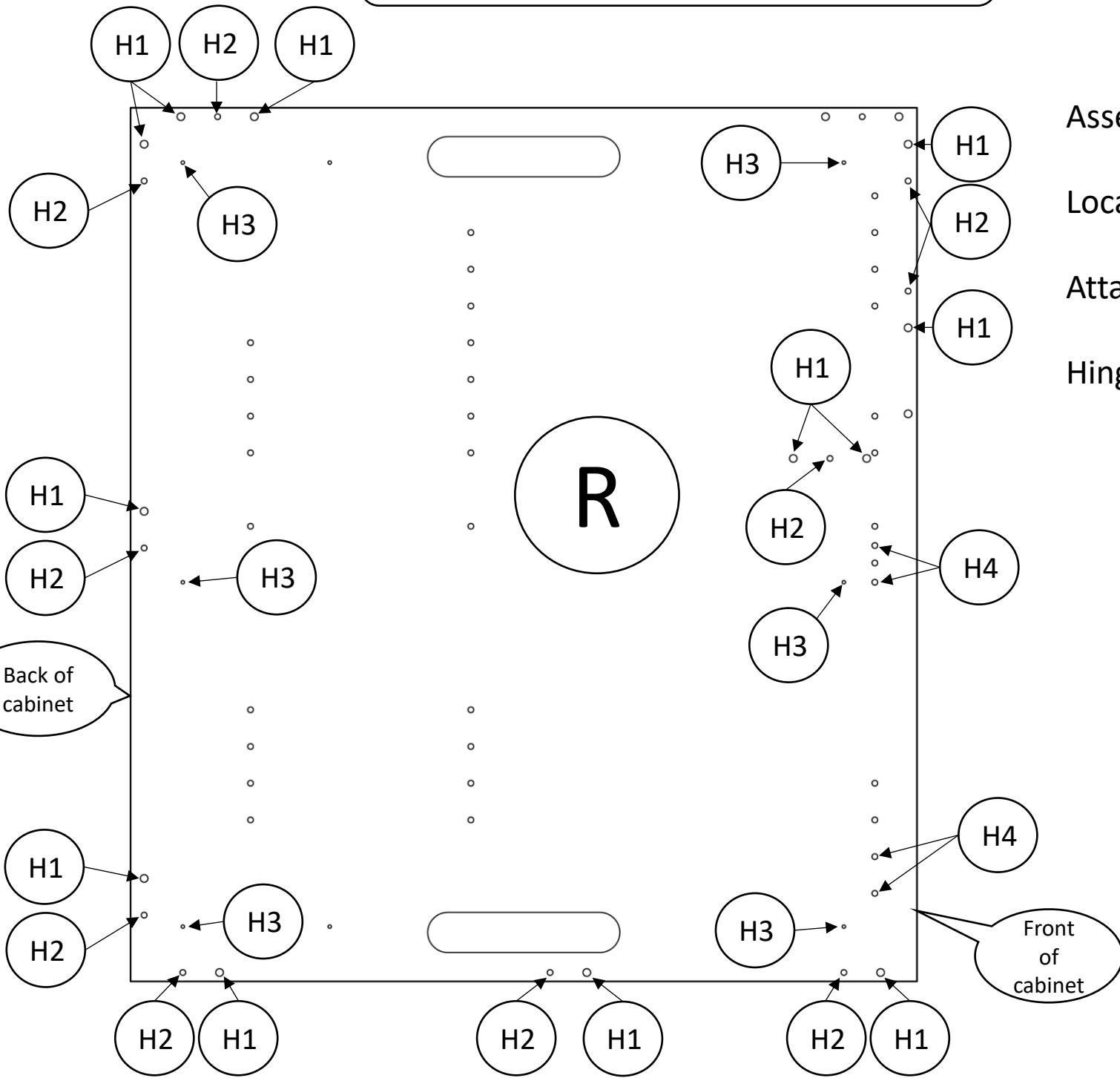
- Electric Drill with Phillips and Square bit
- Wire Cutters
- Tape Measure
- 2x C-Clamp

CAUTION : Safety glasses and gloves recommended



Hardware Kit K3				Cabinet Kit PACK E1				Finish Kit Pack D7,D3 or D9			
Picture	Qty	Item	Item ID	Picture	Qty	Item	Item ID	Picture	Qty	Item	Item ID
	20	Locator Dowel	H1		1	End Panel Left	L		2	Door	I
	32	Assembly Screw	H2		1	End Panel Right	R		2	Matching Back Panel	J
	33	Attachment Screw	H3	<b>Cabinet Kit PACK C3,C7 or C9</b>				<b>Finish Kit Pack A4,A5 or A6</b>			
	8	Hinge Screw	H6		1	Back Panel	B		1	Apron Front	G
	7	Drawer Front Screw	H8		1	Fixed Shelf	F	<b>PACK B1 – (Optional)</b>			
	4	Hinge Plate (with pre-mounted screws)	H4		1	Cross Brace	C1		2	Matching End Panel	P
	4	Soft Close Hinge	H5		1	Back Brace	C2				
	4	Door Bumper	H7		2	Apron Support	E				
	2	Door Handle Kit	H9		1	Apron Rail	D				
	2	Cabinet Leg 2PK	H10								

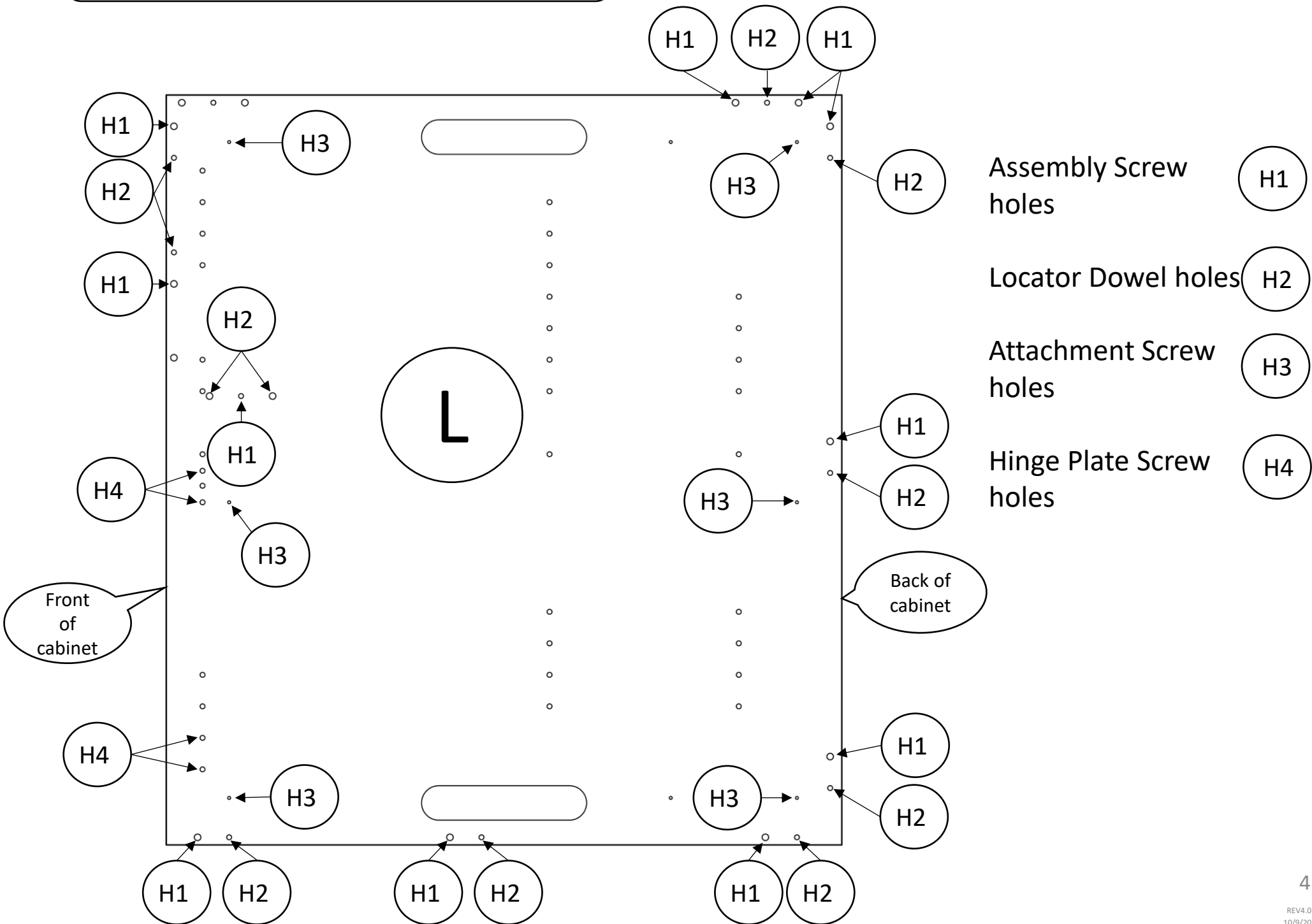
**Hole Assignments: Pack E1**  
 Hole Assignments – Right End Panel



- Assembly Screw holes (H1)
- Locator Dowel holes (H2)
- Attachment Screw holes (H3)
- Hinge Plate Screw holes (H4)

# Hole Assignments: Pack E1

## Hole Assignments – Left End Panel



# Steps for a Successful Installation

## 1. Prepare the Site

- 1.1 Your outdoor kitchen should always be installed on a stable surface (patio/deck/balcony/rooftop) which should be as near to level as drainage requirements allow.
- 1.2 All cabinets come standard with adjustable stainless steel legs. However, in instances of extreme slope, or very large kitchens, footings may be needed to compensate if it falls out of the adjustable range of the legs.
- 1.3 Your kitchen has been designed to be freestanding and does not need to be affixed to the ground/wall. For extreme environments, such as high wind areas, we suggest that your kitchen be secured to an appropriate support structure. Please consult with your contractor/engineer for specifics.
- 1.4 Verify with your contractor/engineer to ensure that the surface is designed to support the weight of the kitchen.

## 2. Planning for Appliances

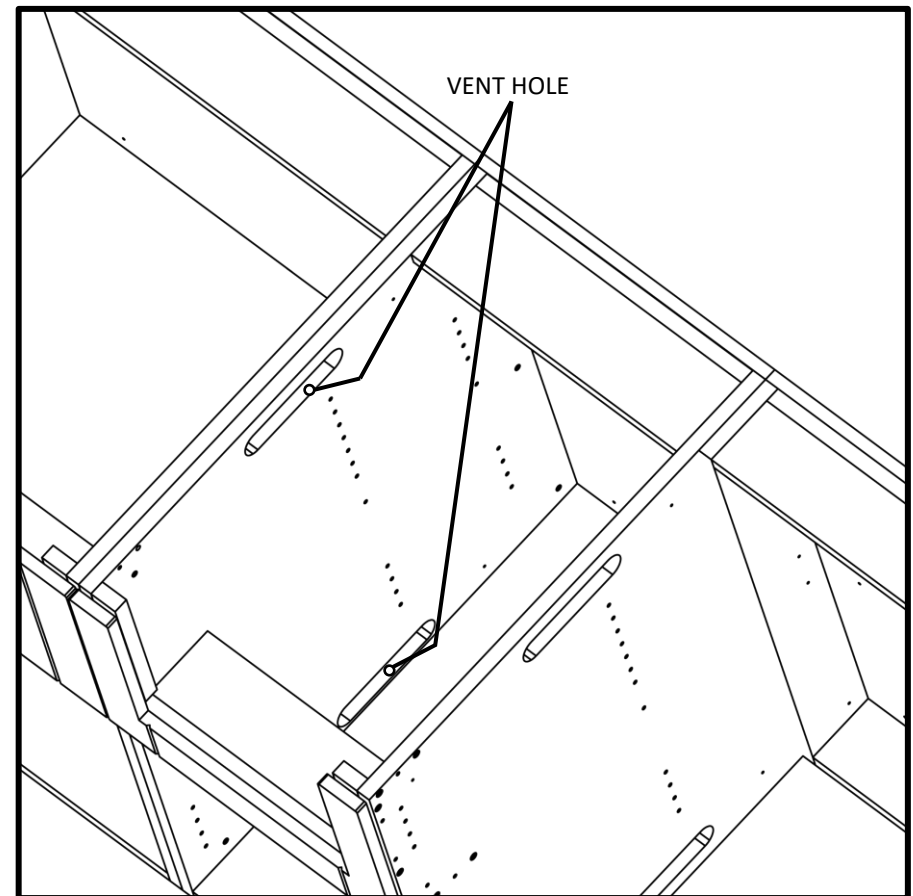
- 2.1 Your island cabinetry is made from weatherproof combustible materials and therefore, each gas appliance requires an insulated heat jacket. Check your specific island configuration for the necessary parts.
- 2.2 Please review the owner's manuals provided with your appliances before installation and ensure the hook-up is done by a licensed professional in accordance with local codes.



**ATTENTION:** WeatherStrong recommends using a licensed professional to handle all gas and electric connections.

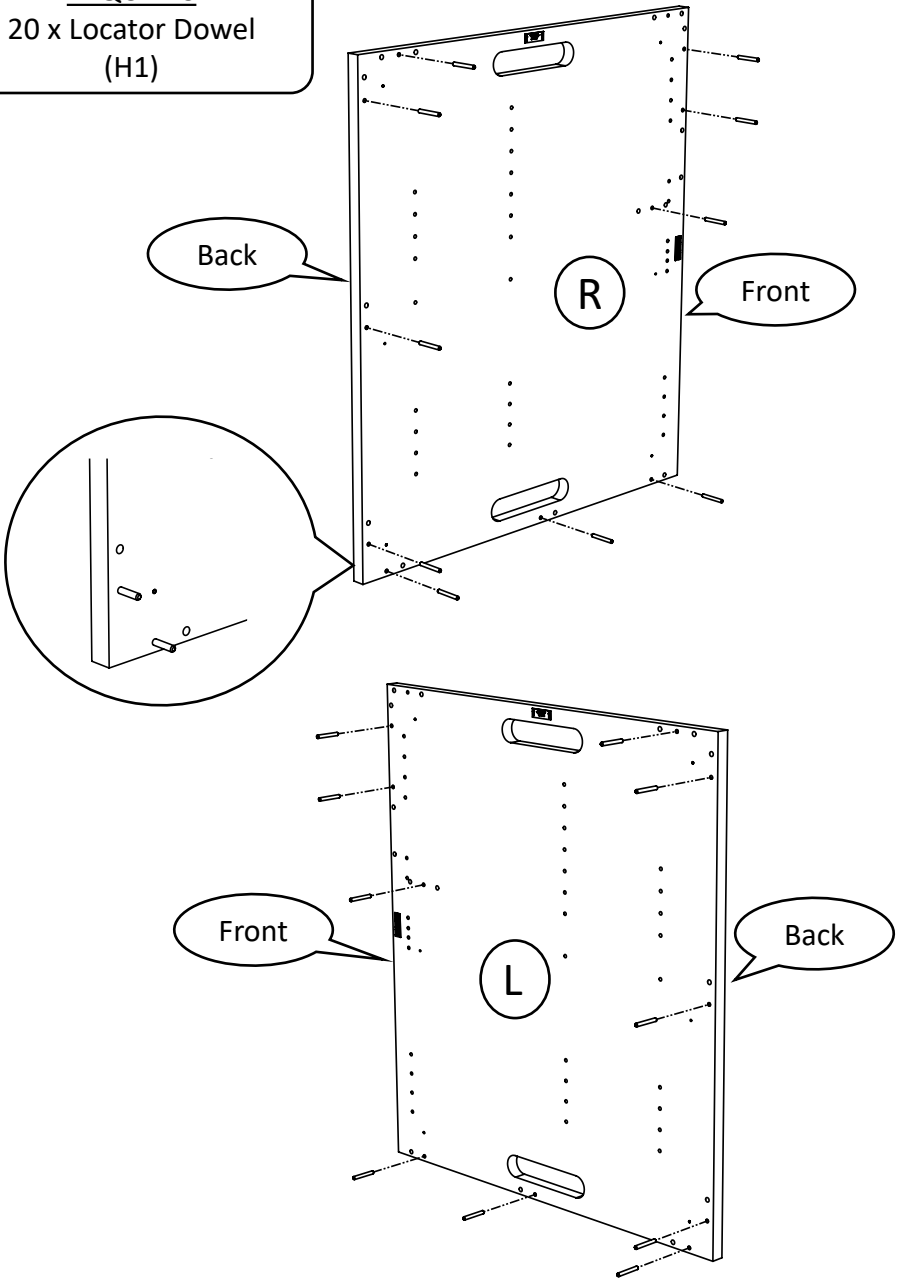
## 3. Planning for Services (Gas/Electrical/Plumbing)

- 3.1 Vent holes are included in most cabinets to make service planning and implementation as easy as possible.
- 3.2 Local codes have specific requirements and restrictions for all services. Please ensure that planning and installation is performed by a locally licensed tradesperson.



# STEP 1

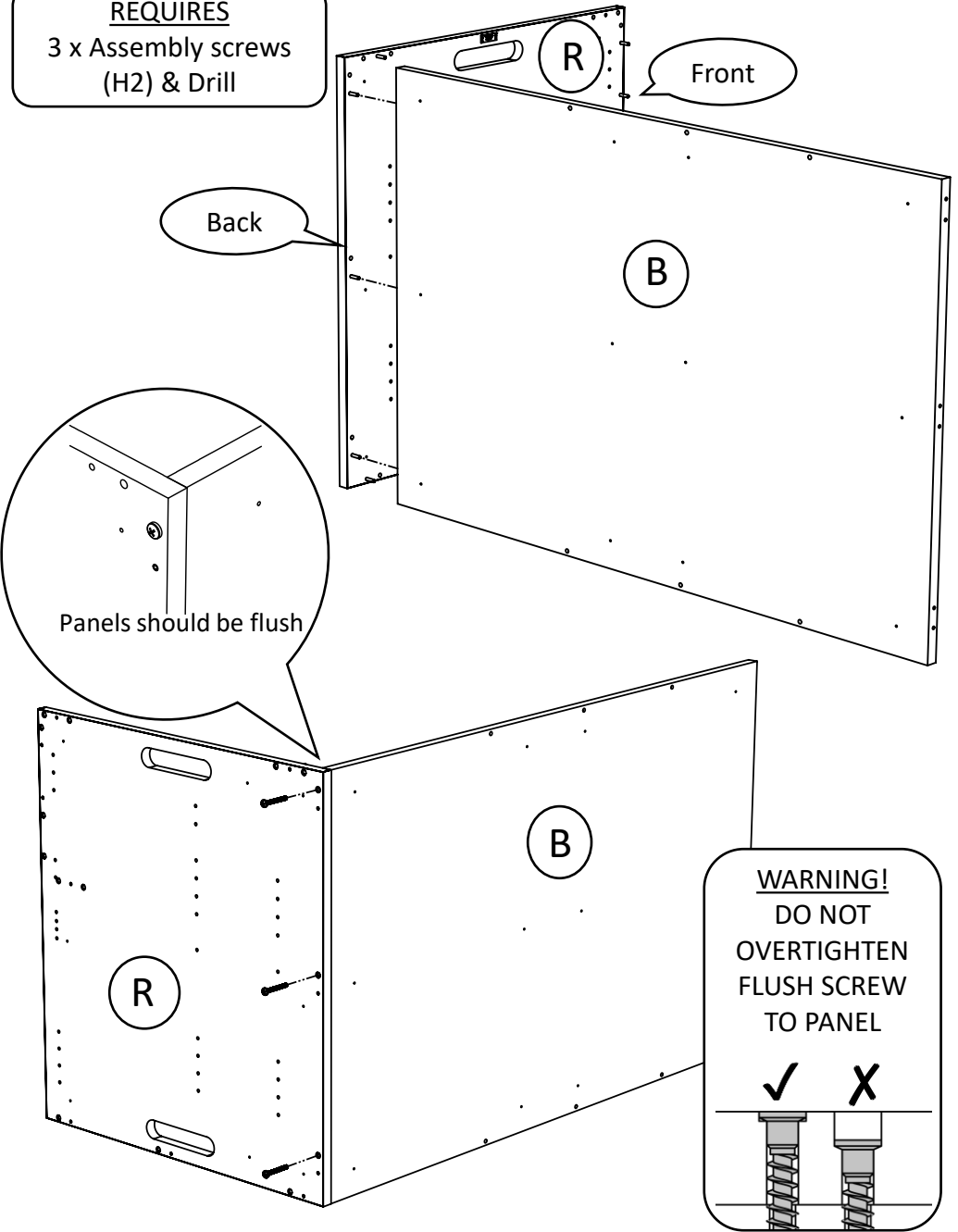
**REQUIRES**  
20 x Locator Dowel (H1)



Lay **Panel (R)** and **(L)** on a flat surface and insert **Locator Dowel (H1)** in the correct locator dowel holes. Reference pages 3 and 4.

# STEP 2

**REQUIRES**  
3 x Assembly screws (H2) & Drill



Insert the 3 **Locator Dowels** on the left side of **Panel (R)** into the locator dowel holes on the side of **Panel (B)**. Use the **Drill** and 3 **Assembly Screws (2)** to screw **Panel (R)** to **Panel (B)**. If **Panel (B)** is not flush or inset with the edge of **Panel (R)** rotate **Panel (B)** 180 degrees.

**WARNING!**  
DO NOT OVERTIGHTEN FLUSH SCREW TO PANEL

✓ X

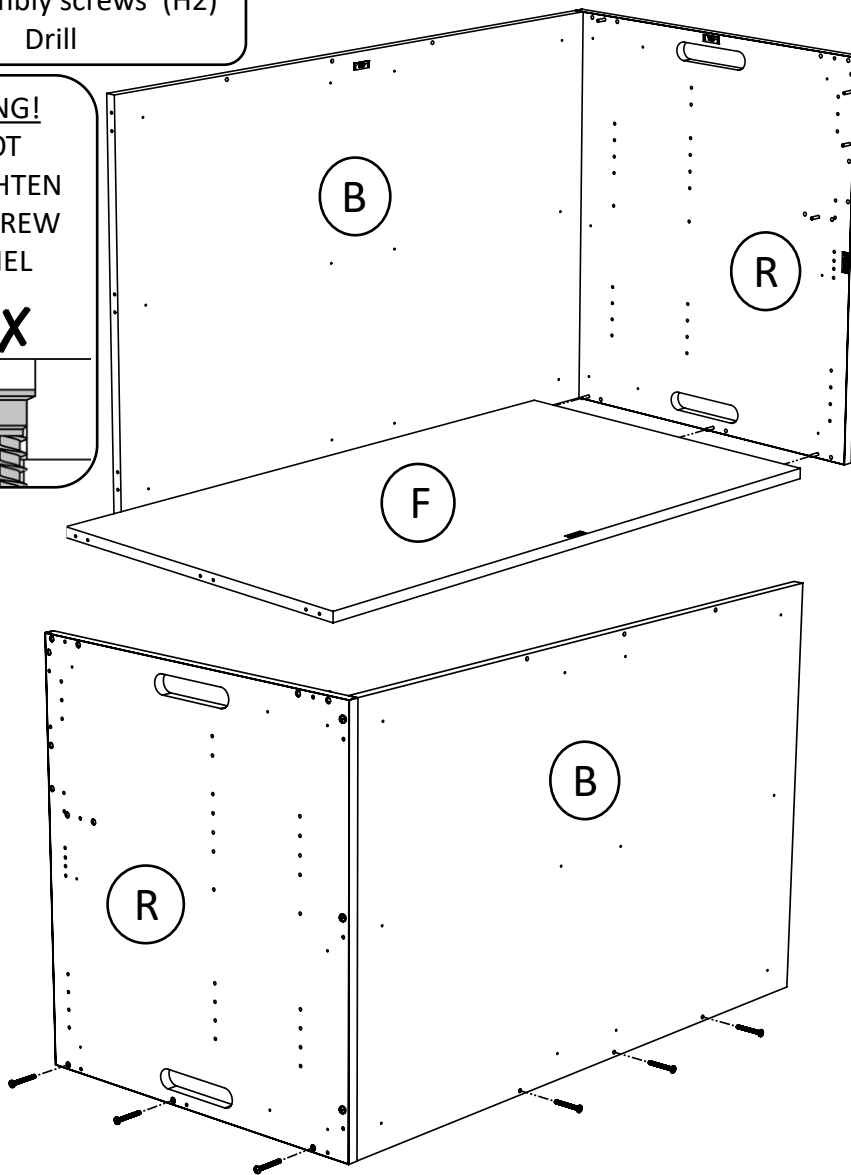
### STEP 3

#### REQUIRES

6 x Assembly screws (H2)  
Drill

#### WARNING!

DO NOT  
OVERTIGHTEN  
FLUSH SCREW  
TO PANEL

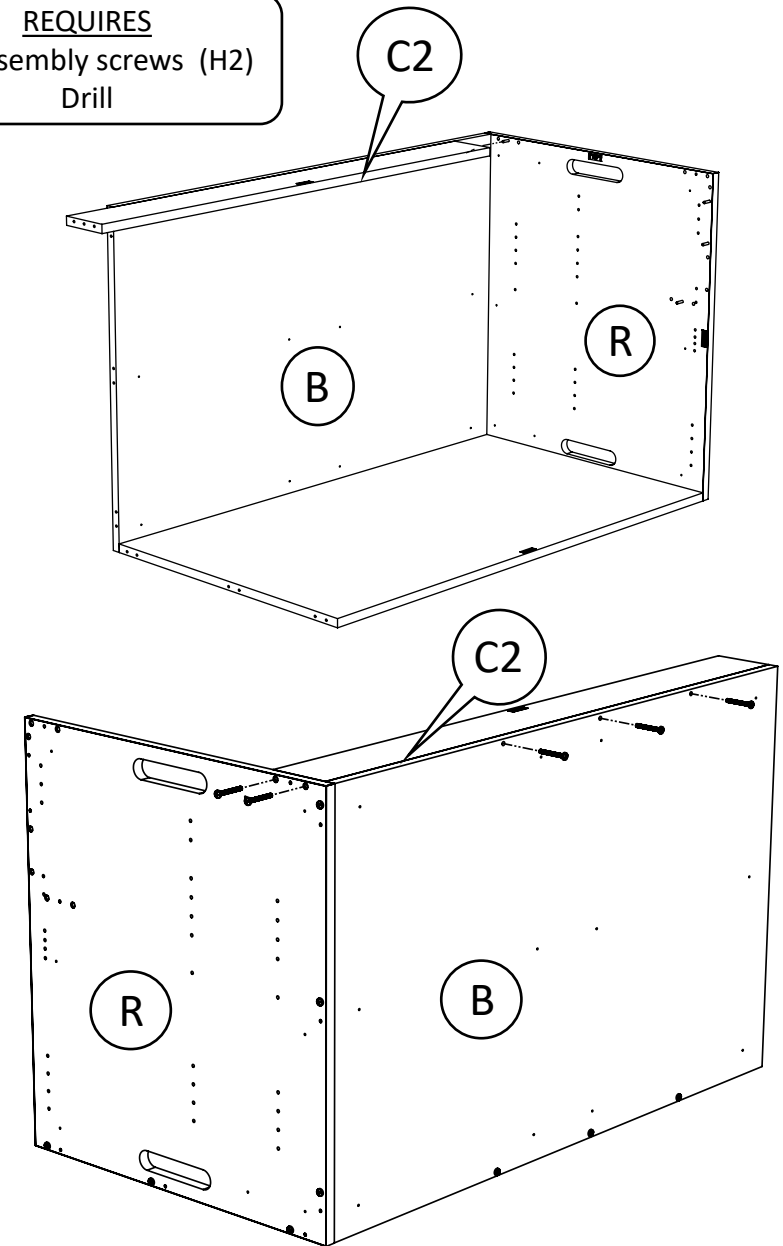


Insert the **Locator Dowel (H1)** on **Panel (R)** into the locator dowel hole on **Panel (F)**. Use the **Drill** and 3 **Assembly Screws (H2)** to screw **Panel (R)** to **Panel (B)**.

### STEP 4

#### REQUIRES

5 x Assembly screws (H2)  
Drill

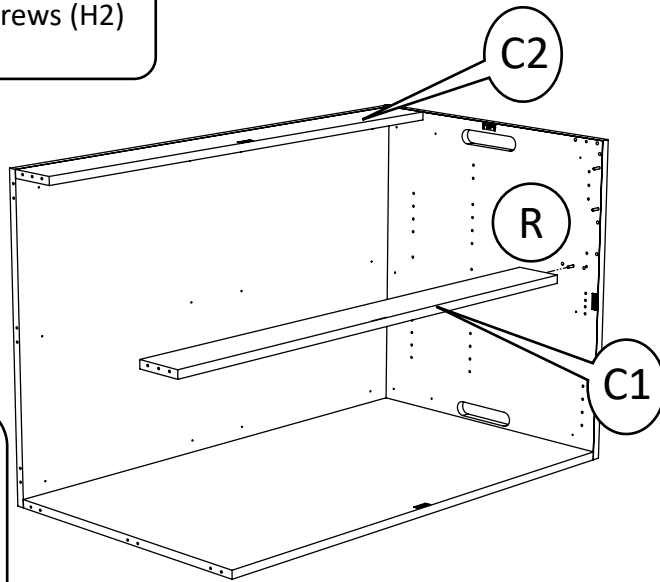


Insert the **Locator Dowel (H1)** on **Panel (R)** into the locator dowel hole on **Panel (C)**. Now, use the **Drill** and 5 **Assembly Screws (H2)** to screw **Panel (R)** and **(B)** to **Panel (C)**.

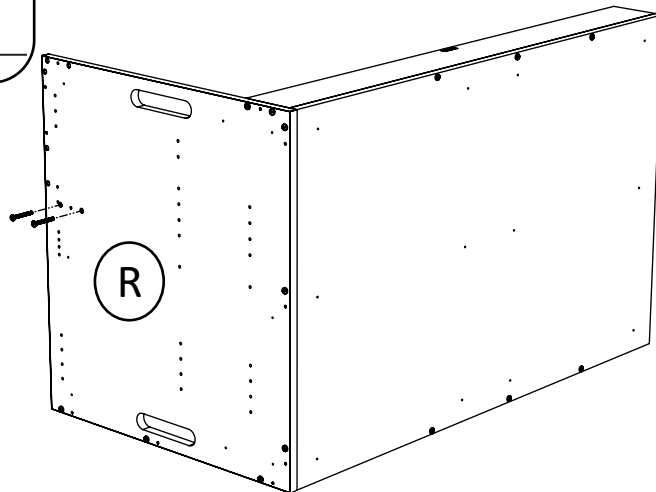
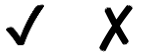
## STEP 5

### REQUIRES

2 x Assembly screws (H2)  
Drill



**WARNING!**  
DO NOT  
OVERTIGHTEN  
FLUSH SCREW  
TO PANEL

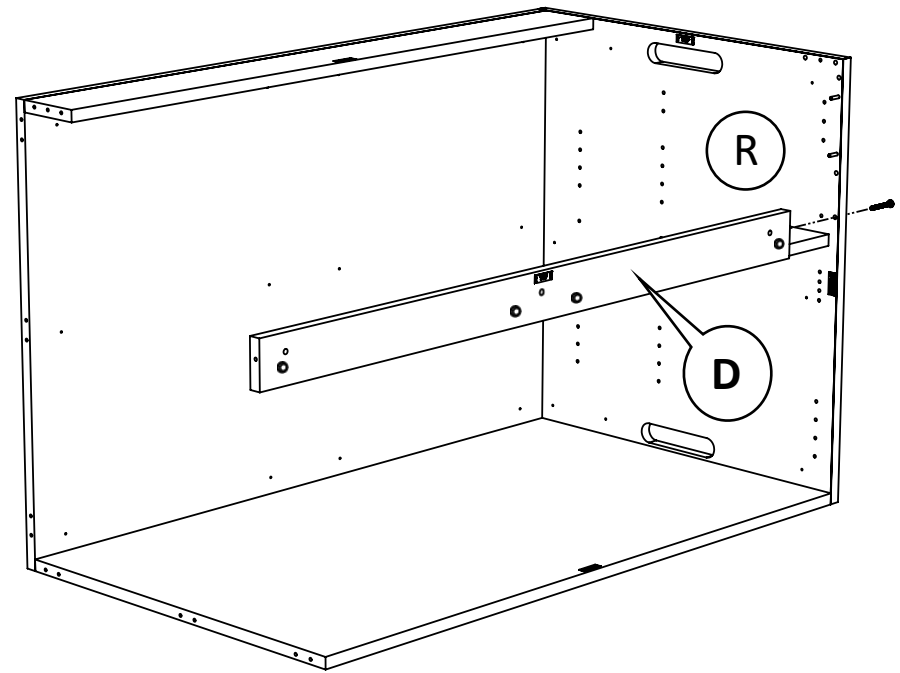


Insert the **Locator Dowel (H1)** on **Panel (R)** into the locator dowel hole on **Panel (C)**. Now, use the **Drill** and 2 **Assembly Screws (H2)** to screw **Panel (R)** to **Panel (C)**.

## STEP 6

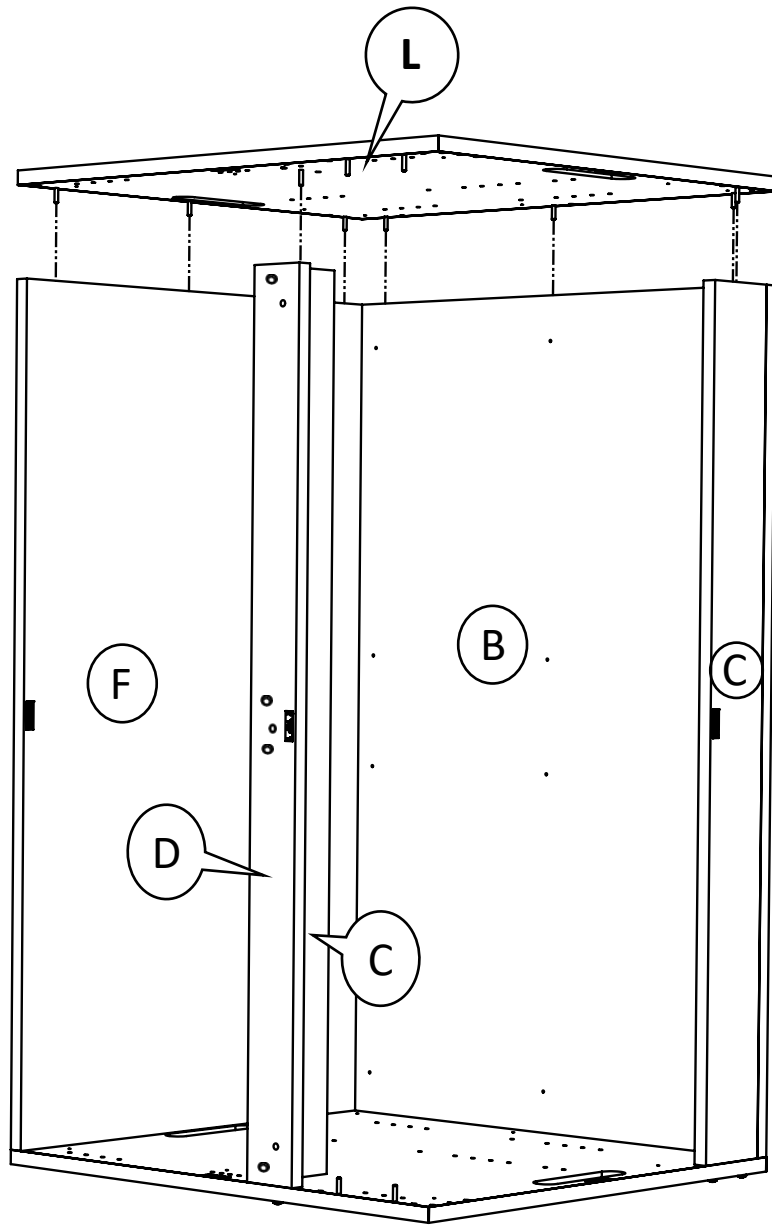
### REQUIRES

1 x Assembly screws (H2)  
Drill



Use the **Drill** and 1 **Assembly Screw (H2)** screw **Panel (R)** to **Panel (D)**.

## STEP 7

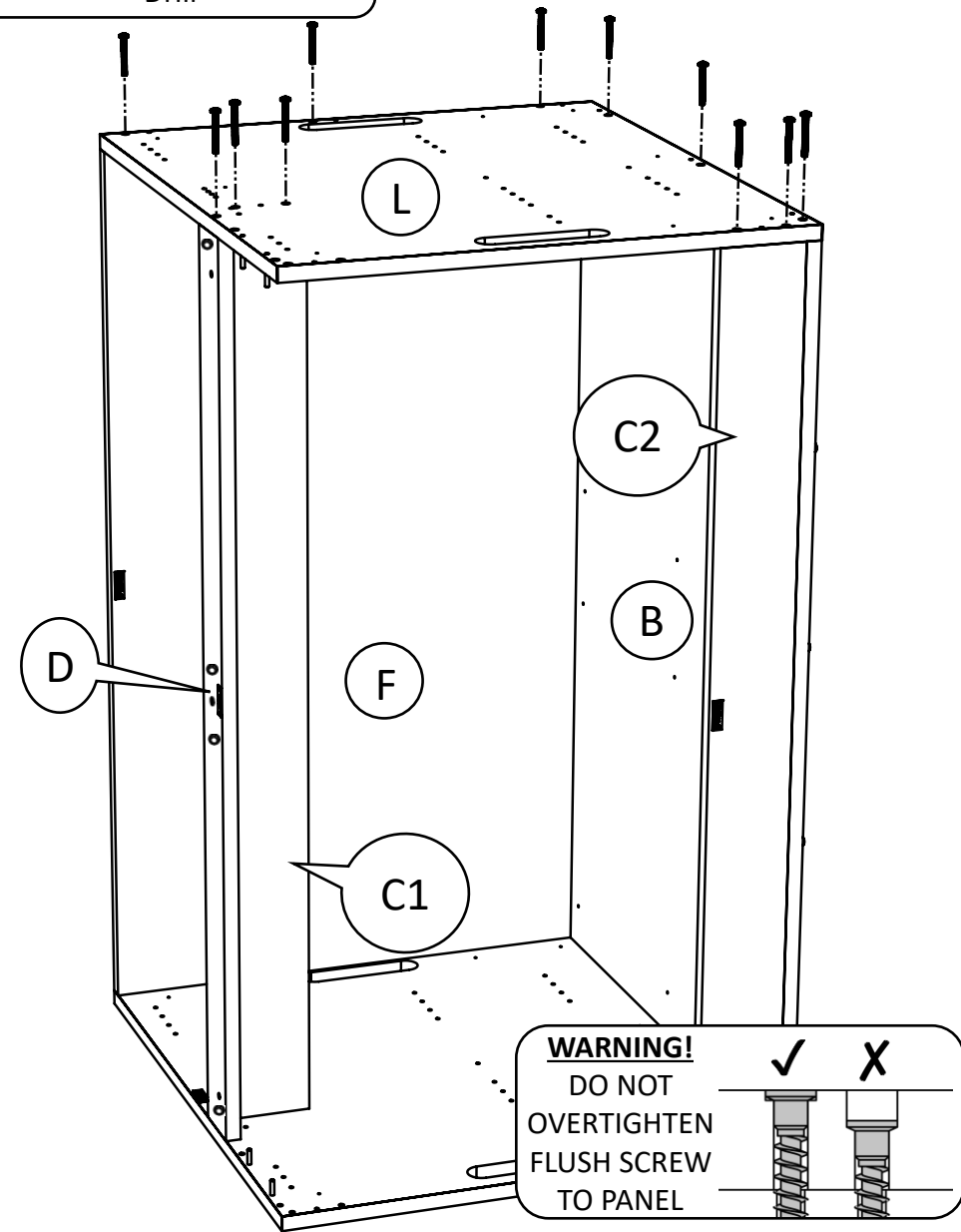


Insert the **Locator Dowels** on **Panel (L)** into the locator dowel holes on the sides of **Panels (F), (C), (D), and (B)**.

## STEP 8

### REQUIRES

11 x Assembly screws (H2)  
Drill

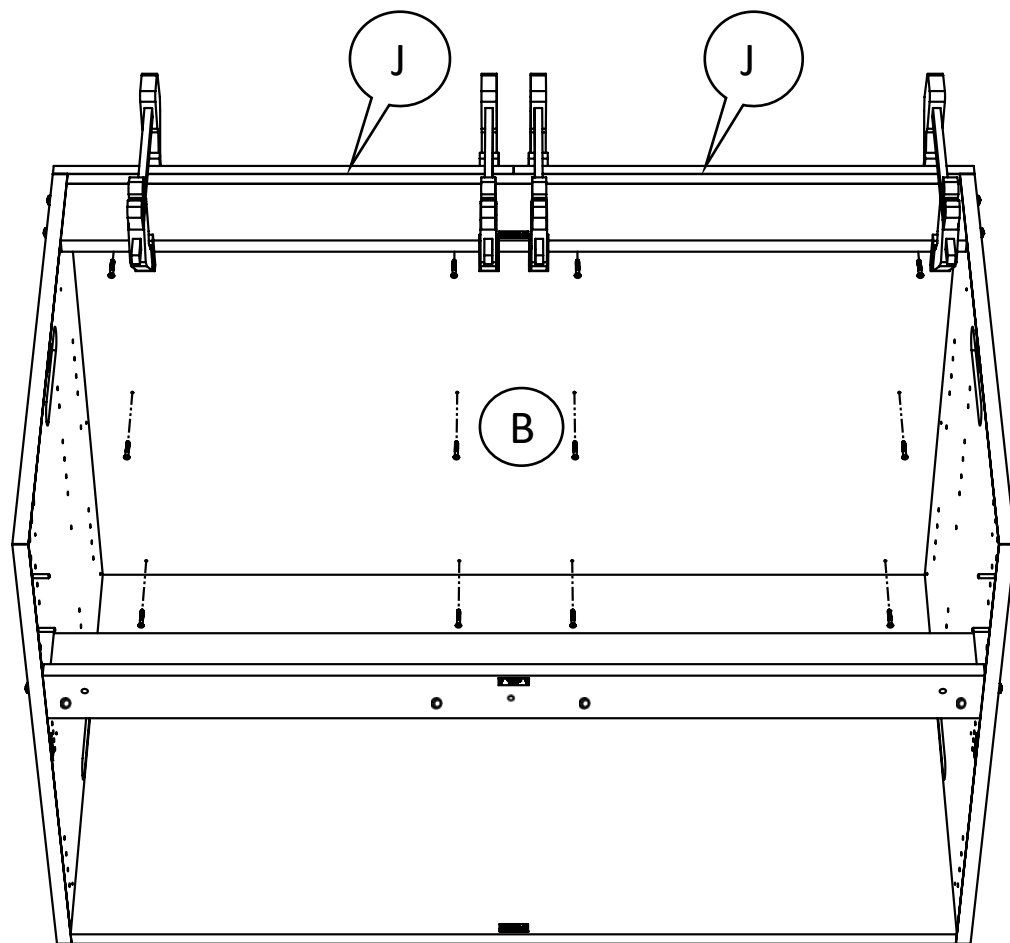


Using the **Drill** and 11 **Assembly Screws (H2)** screw **Panel (L)** to **Panels (F), (C), (D) and (B)**.

## STEP 9

### REQUIRES

12 x Attachment Screws (H3)  
Drill



Align the attachment screw holes in **Panel (B)** with the attachment screw holes in **Panels (J)** then use the **Drill** and 12 **Attachment Screws (H3)**, and screw **Panel (B)** to **Panels (J)**.

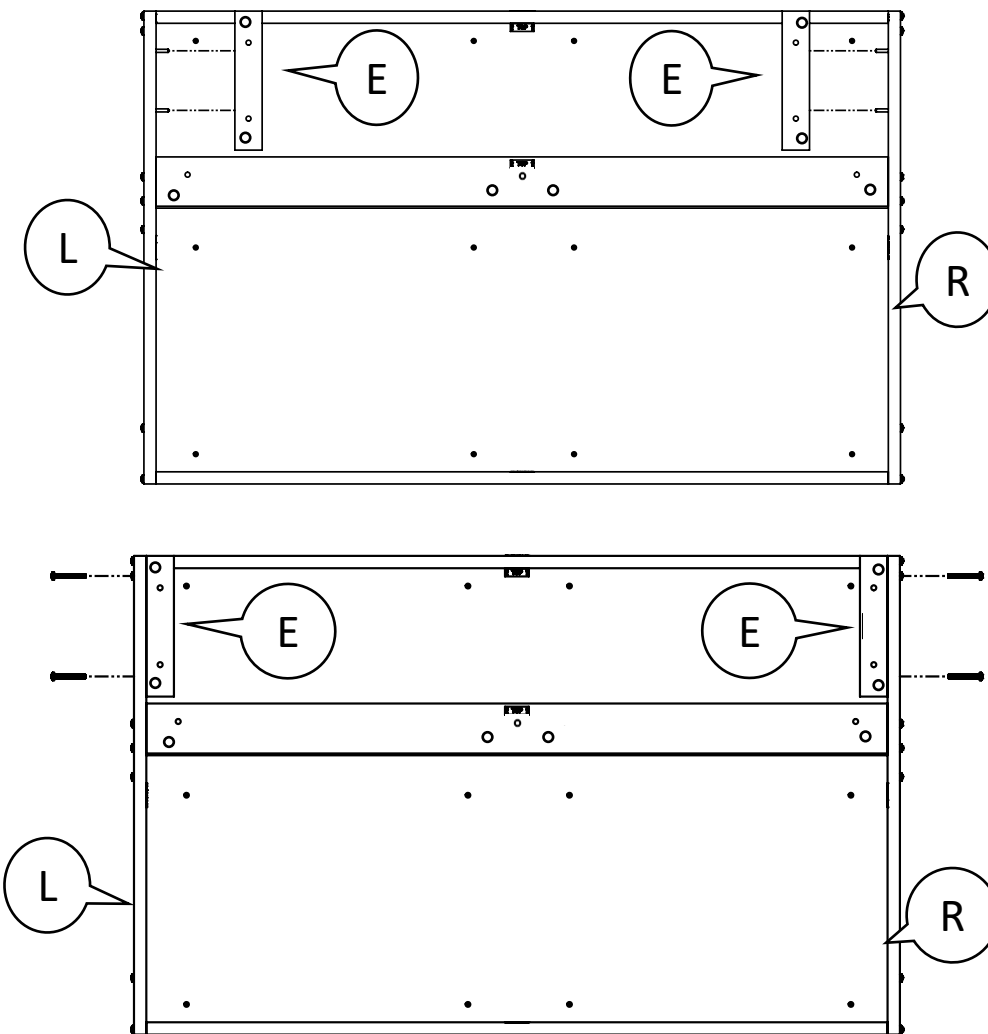
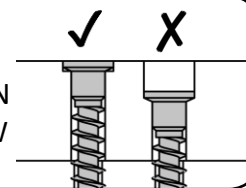
## STEP 10

### REQUIRES

4 x Assembly screws (H2)  
Drill

### WARNING!

DO NOT  
OVERTIGHTEN  
FLUSH SCREW  
TO PANEL



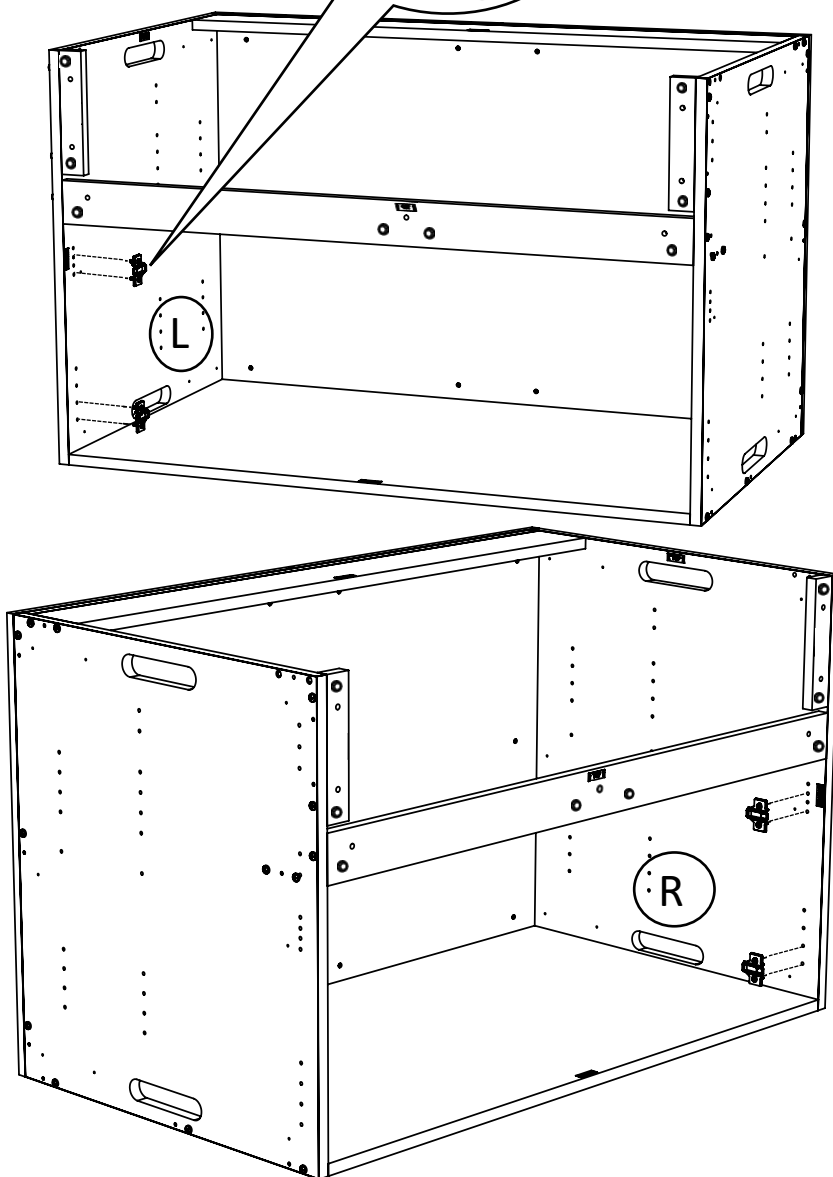
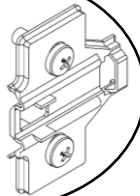
Insert the 2 **Locator Dowels** on **Panel (L)** and **Panel (R)** into locator dowel holes on **Panels (E)**. Then using the **Drill** and 4 **Assembly Screws (2 per each Panel)** screw **Panel (R)** and **(L)** to **Panels (E)**.

## STEP 11

### REQUIRES

4 x Hinge Plate (H5)  
Drill

FRONT



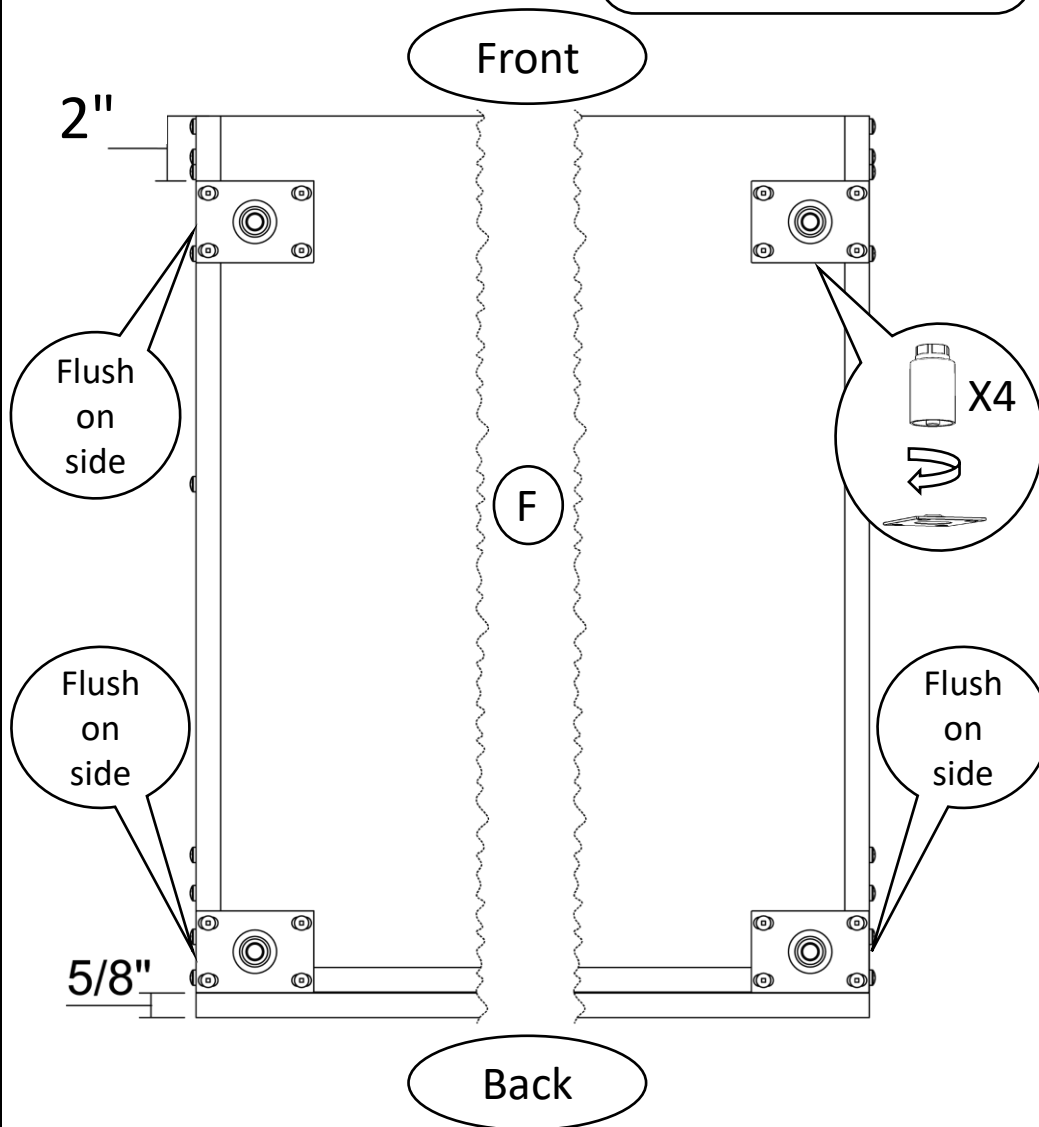
On **Panel (L)** and **Panel (R)** using the **Drill** and **4 Hinge Plates (H5)**, 2 for each side, screw hinge plates to the correct hinge plate holes. Reference hole assignment on page 3.

## STEP 12

### REQUIRES

2 x Cabinet Leg packs (H10)  
Drill

**Pro Tip:** Make sure the adjustable end of each leg is loose before standing the cabinet upright. This will make leveling the cabinets easier.



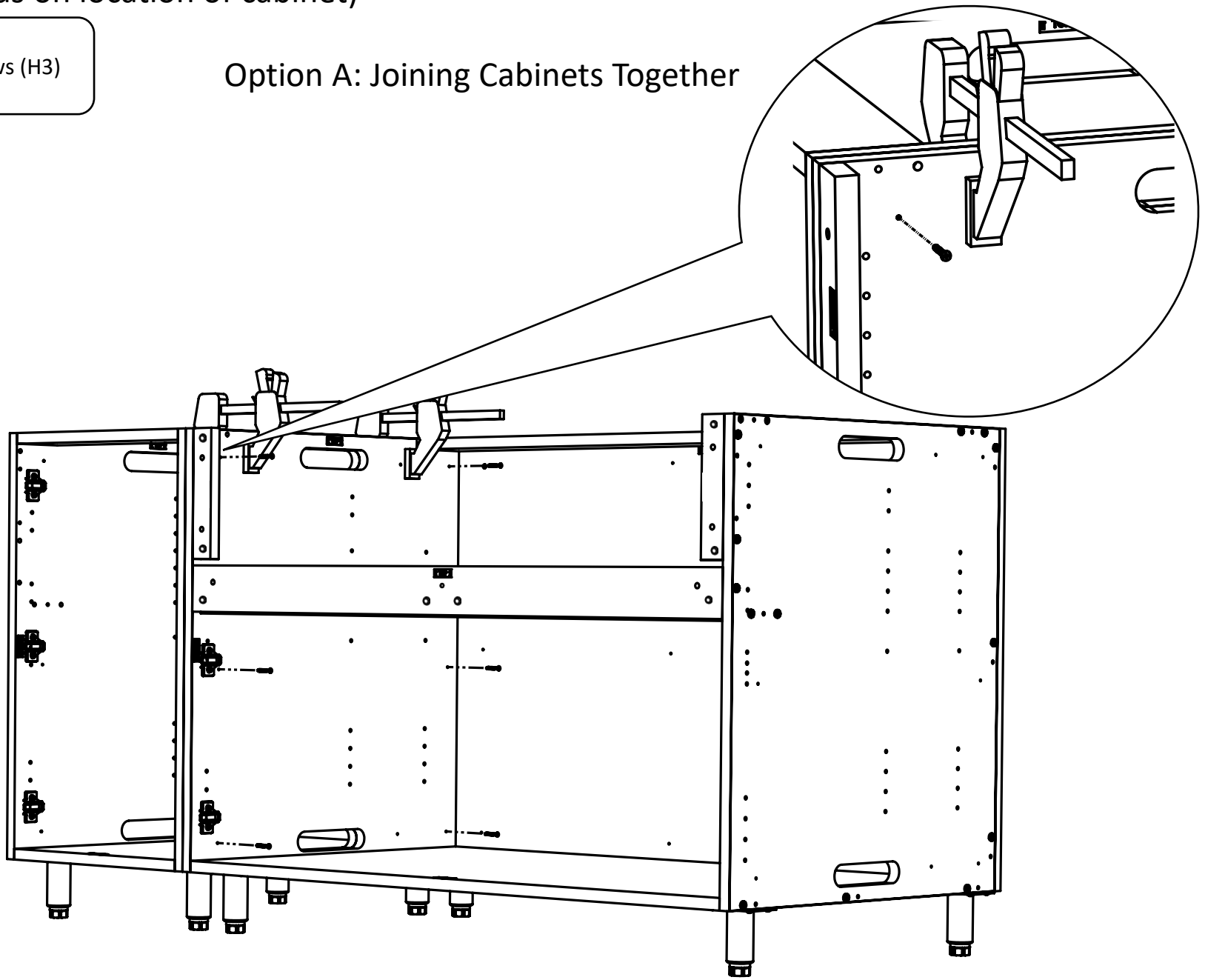
**Cabinet Leg Pack (H10)** consists of 2 cabinet legs, 2 cabinet leg plates and 8 screws. Screw front cabinet leg plates onto the cabinet 2 inches from the front, and flush to the sides. Screw back cabinet leg plates onto the cabinet 5/8 of an inch from the back and flush to the sides. Now, screw on the 4 adjustable legs.

## STEP 13 (Depends on location of cabinet)

### REQUIRES

6 x Attachment Screws (H3)  
Drill

### Option A: Joining Cabinets Together



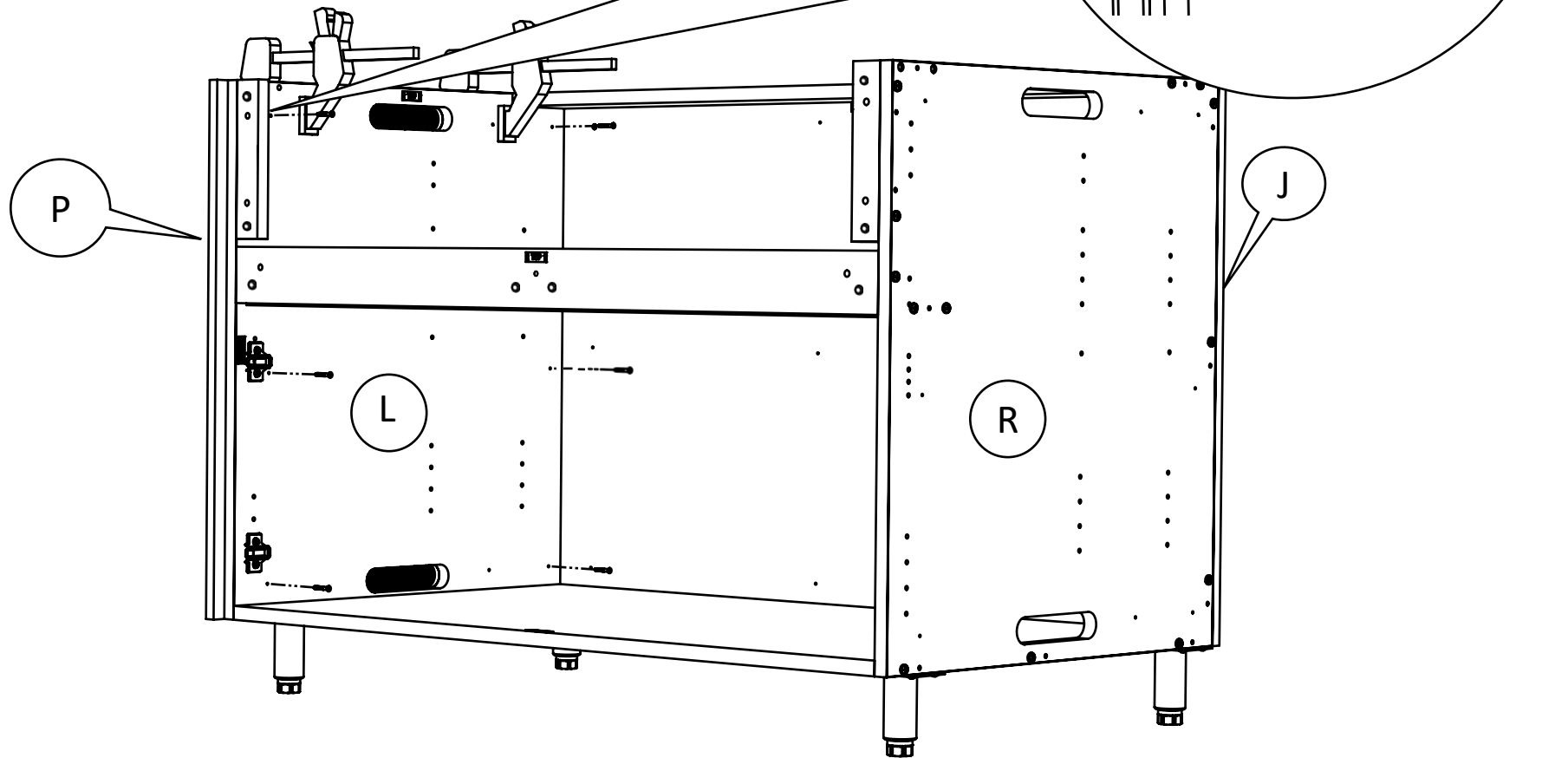
**Option A:** Screwing Cabinets Together – align the Attachment Screw holes in each cabinet and using the **Drill** and 6 **Attachment Screws (H3)** screw the cabinets together. You may wish to use a C-clamp to secure panels in place while attaching. Make sure the cabinet sides are flush in front and back.

## STEP 13 (Depends on location of cabinet)

### REQUIRES

6 x Attachment Screws (H3)  
Drill

### Option B: Applying A Finished End

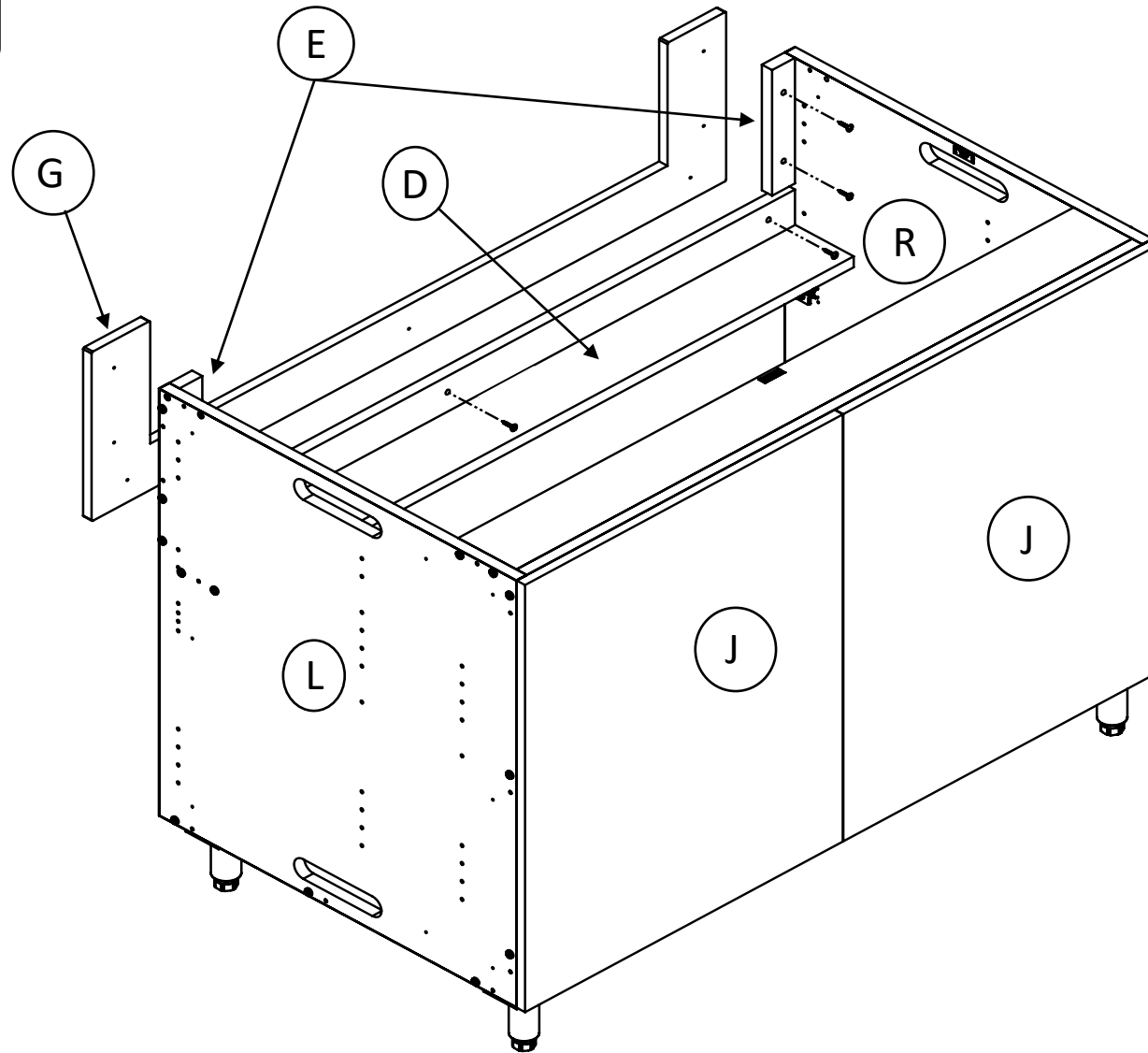


**Option B: Applying Finished End** – align **Panel (P)** to **Panel (L)** or **Panel (R)**, ensure **Panel (P)** is flush to the back of **Panel (J)**. Using the **Drill** and **6 Attachment Screws (H3)** screw **Panel (L)** or **(R)** to **Panel (P)**. You may wish to use a C-clamp to secure panels in place while attaching. The back edge of **Finished End (P)** should be flush with **Panel (J)**. The front edge will protrude in front of the cabinet until the doors are installed

# STEP 14

## REQUIRES

7 x Drawer Front Screw (H8)  
Drill



Apply **Door Bumpers** (H7) to designated areas. Cut Apron before attaching. Using the **Drill** and 7 **Drawer Front Screws** (H8) screw both **Panels** (E) and **Panel** (D) to **Panel** (G).

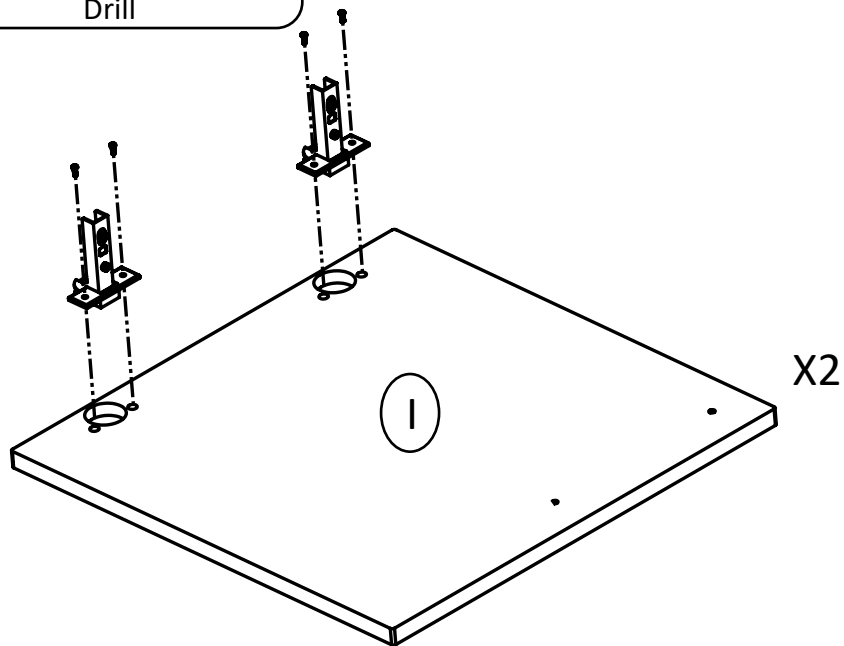
## STEP 15

### REQUIRES

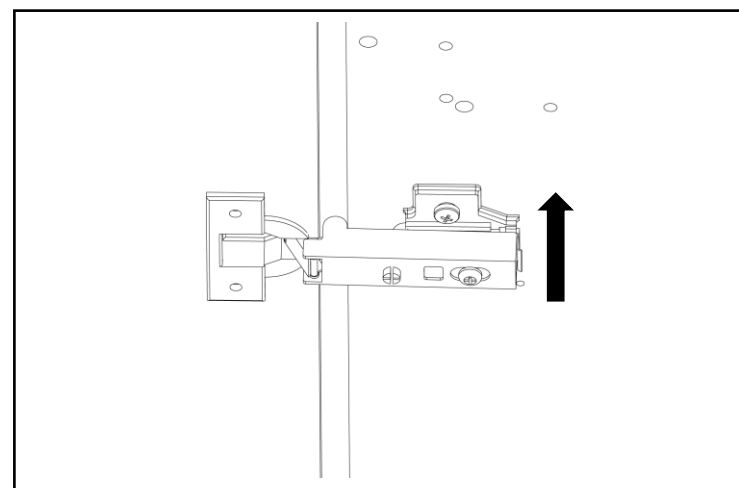
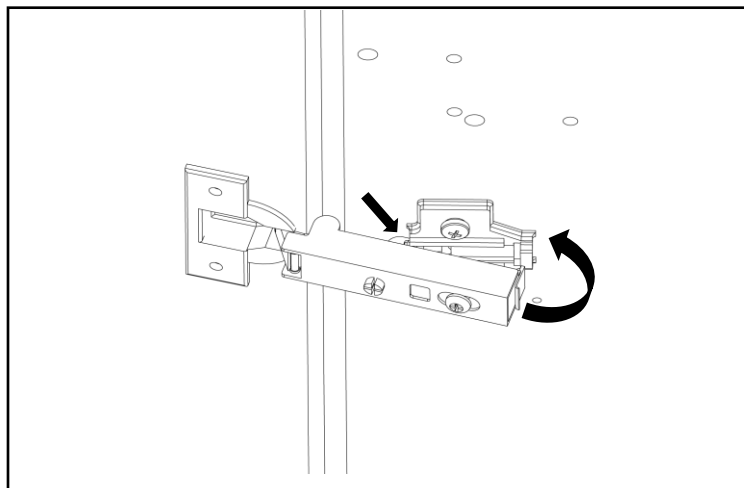
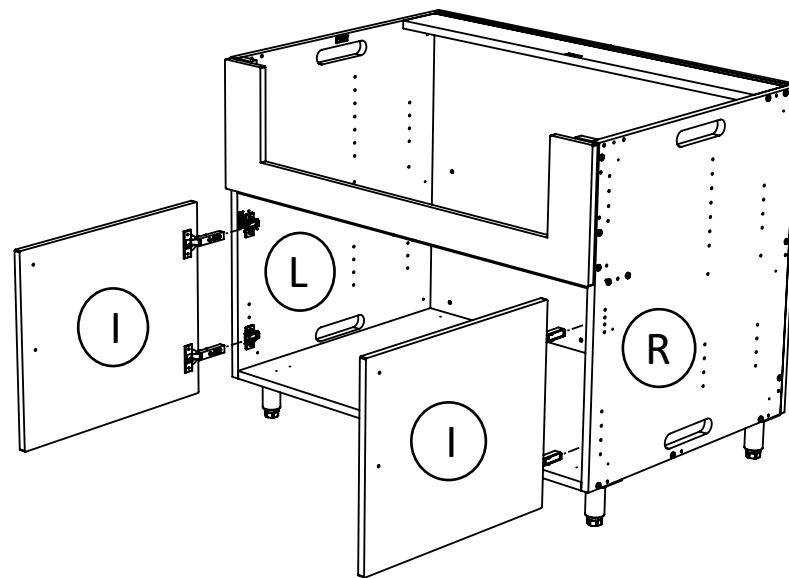
4 x Soft Close Hinge (H5)

8 x Hinge Screw (H6)

Drill



## STEP 16



Lay the **Doors (I)** face-down on a smooth flat surface and insert 4 **Soft Close Hinges (H5)**. Make sure the screw holes align.

Using the **Drill** and 8 **Hinge Screws (H6)** screw the **Soft Close Hinges (H5)** to **Doors (I)**.

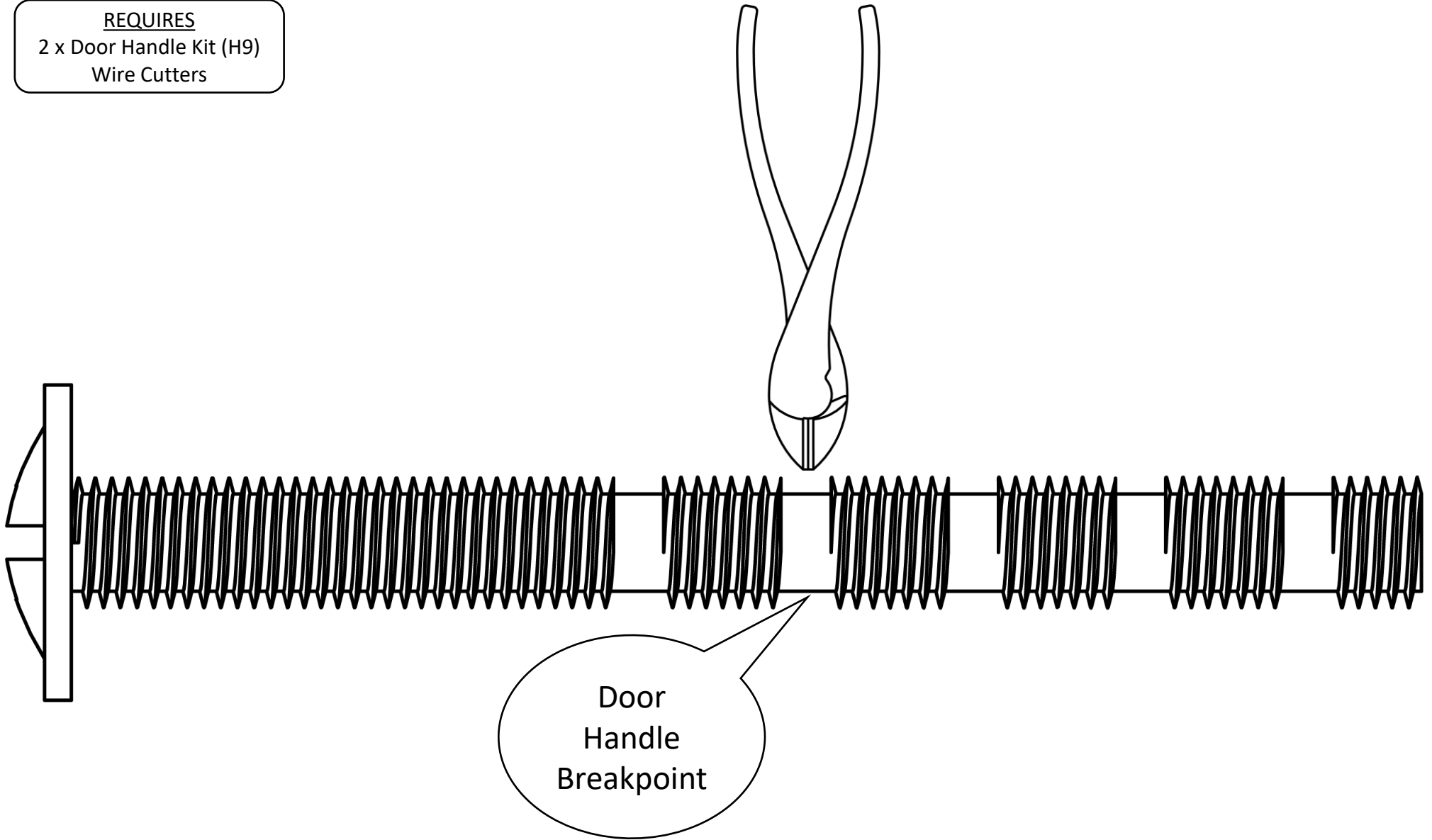
To attach the **Door (I)** – Locate the small 'hooks' on the underside of the **Soft Close Hinge** and hook them under the front of the **Hinge Plate**, then press the back of the **Hinge** towards the Plate until it 'clicks' into place. Repeat for the remaining **Hinges**.

## STEP 17

### REQUIRES

2 x Door Handle Kit (H9)

Wire Cutters

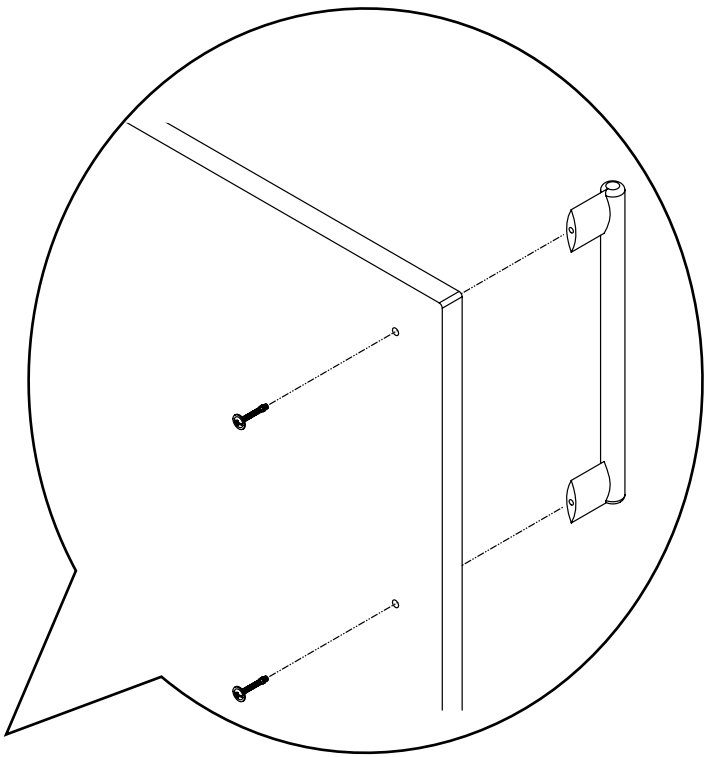
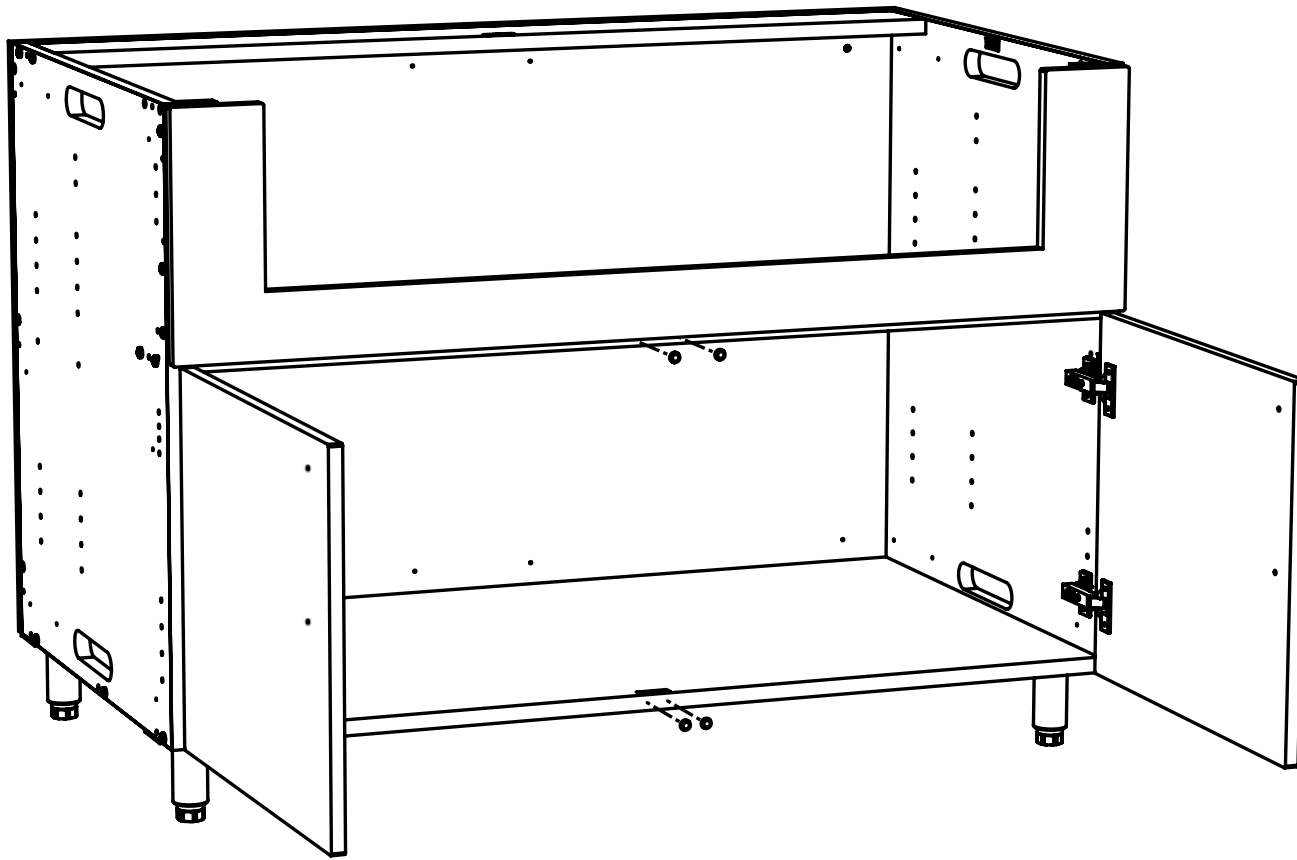


Use **Wire Cutters** or **Pliers** to cut the **Handle Screws** at the **Door Handle** break point

## STEP 18

### REQUIRES

2 x Door Handle Kit (H9)  
4 x Clear Door Bumpers (H7)  
Drill



Screw door handle to both **Doors (I)** using the screws in the previous step, and place remaining **Door Bumpers (H7)**

# Care and Adjustment Guide

## AFTER INSTALLATION CARE

After your cabinets have been installed, wipe down all surfaces with a damp cloth to remove dust. A soft cloth or sponge with mild dishwashing liquid can be used if needed. For tougher to clean spots, wash with Simply Green.

## EVERYDAY CARE

**Salt Water Environments:** Oceanfront environments with salt air and sea spray will require regular maintenance and cleaning to prevent rust from forming on the handles, hinges, legs and drawer runners. Clean stainless steel surfaces several times a month to keep the chemical reaction, from the salt, from gaining a foothold on the hardware. With regular cleaning, your cabinets will look like new for many years. To achieve maximum corrosion and stain resistance, the surface of the stainless steel must be kept clean.

**NEVER** use abrasive cleaners, scouring pads, or powdered cleansers.

## HARDWARE CARE

Use mild soap and warm water to clean stainless steel legs and door handles. Thoroughly dry hardware surfaces after cleaning. **DO NOT** use silver or brass polish.

## GRILL & SIDE BURNER CABINET

Under no circumstance should a grill or side burner be installed without the appropriate heat liner specified by the manufacturer of the appliance.

## HEAT APPLIANCES

Free-standing grills with adequate space from direct heat are recommended, or “built-in grills” with an insulated liner provided by the grill manufacturer.

## LIGHT EXPOSURE

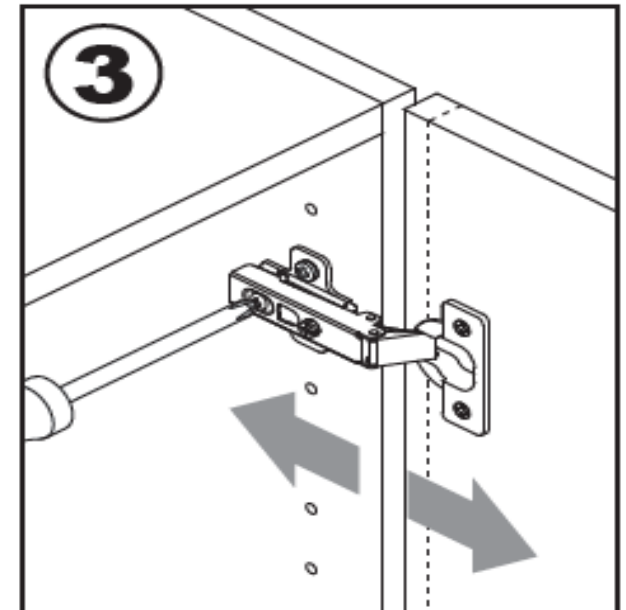
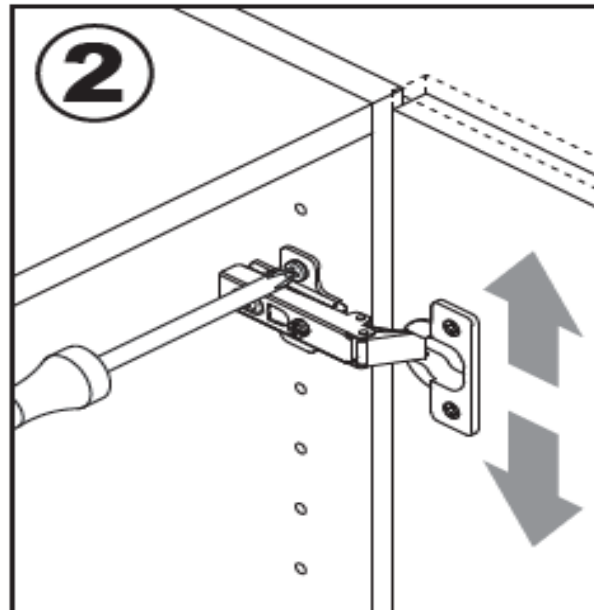
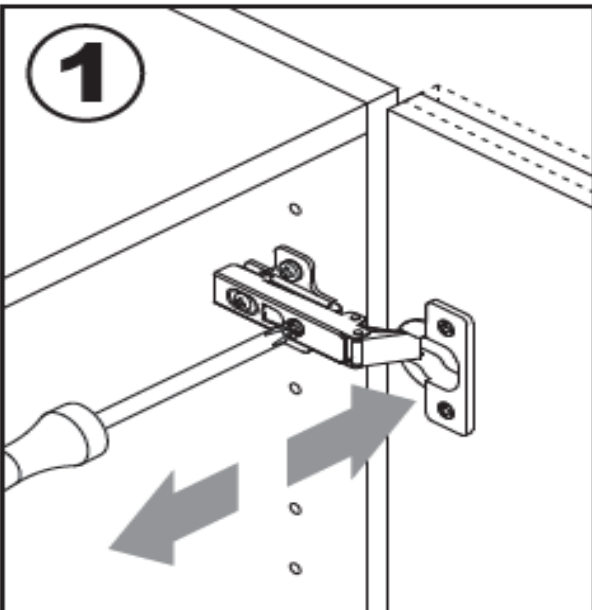
Cabinet sides and backs that will be exposed to direct sunlight and other weather elements **MUST** be covered by a matching end panel in coordinating High-Density Polyethylene (HDPE). Failure to install these protective panels will void the cabinet warranty.

## Door Alignment

Cabinets feature a 6-way adjustable hinge that will allow you to adjust and align all the doors after installation

1. The center screw will adjust the door from side to side
2. The top and bottom screws in the hinge plate will allow adjustment up and down
3. The back screw will adjust the door in and out

*Please Note:* These are soft-close hinges and will close slower at first.



Additional  
Cabinet  
Kits

18" Base Cabinet Panel Kit

**C1**

Gray All-Weatherboard® CARB2

B1827FH-RFG

Requires:	Description:
1 - D1	Door & Back Panel Pack - HDPE
1 - E1	Cabinet End Panel Pack - 1-Pair
1 - K1	Assembly Hardware & Legs Kit 01

Made in the USA

18" Grill Cabinet Panel Kit

**C2**

Gray All-Weatherboard® CARB2

GB1827-RFG

Requires:	Description:
1 - A2	18" Side Burner Apron Front - HDPE
1 - D2	Door & Back Panel Pack - HDPE
1 - E1	Cabinet End Panel Pack - 1-Pair
1 - K2	Assembly Hardware & Legs Kit 02

Made in the USA