

Assembly Instructions – GB1827

18" wide x 27" deep Grill/Side Burner Base Cabinet

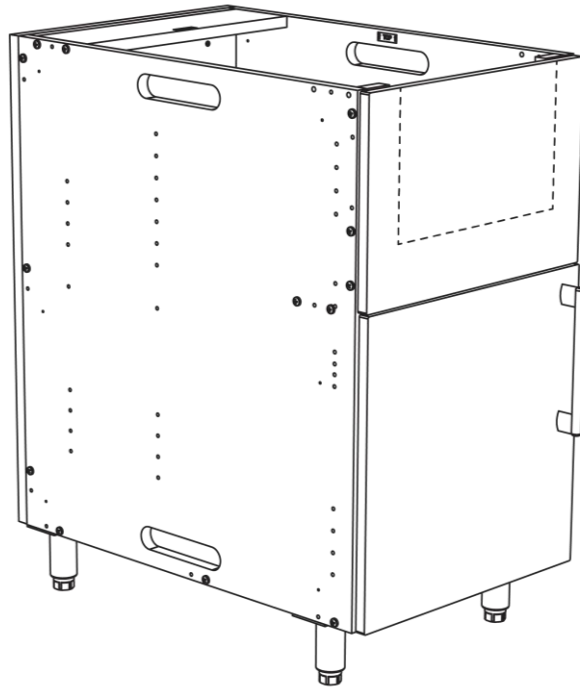
C2

18" Grill Base

Required:	Description:
1 – A1	18" Apron Front - HDPE
1 - C2	18" Grill Base Cabinet Panel Pack
1 - D2	Door & Decorative Back Panel Pack - HDPE
1 - E1	Cabinet End Panel Pack - 1-Pair
1 - K2	Assembly Hardware & Legs kit 02



For assistance visit
Weatherstrong.com
888-845-0004



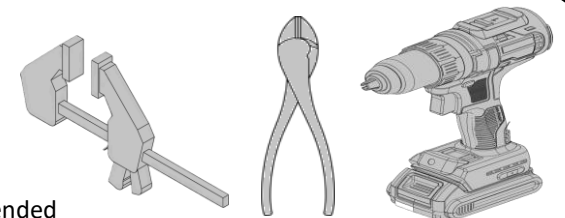
Before you start assembly, inspect all panels and hardware to ensure nothing is damaged and that you have everything required.

We recommend laying the components on the provided packaging to protect the finish when assembling.

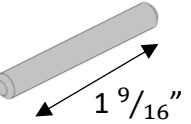
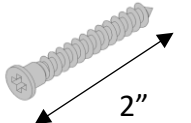
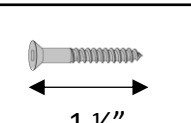
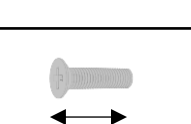
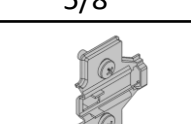
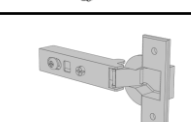
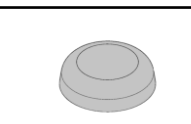

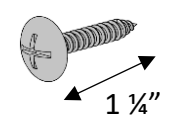
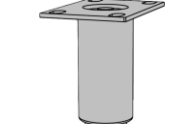
Required Tools

- Electric Drill with Phillips and Square bit
- Wire Cutters
- Tape Measure
- 2x C-Clamp

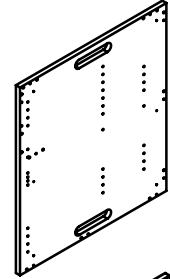
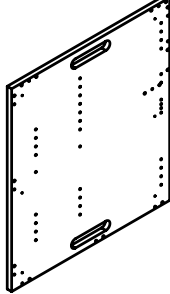
CAUTION : Safety glasses and gloves recommended



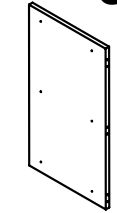
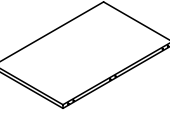
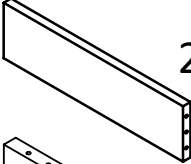
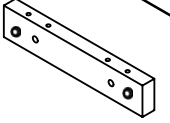
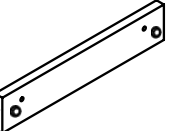
Hardware Kit K2

Picture	Qty	Item	Item ID
 1 9/16"	20	Locator Dowel	(H1)
 2"	26	Assembly Screw	(H2)
 1 1/4"	26	Attachment Screw	(H3)
 5/8"	4	Hinge Screw	(H6)
	2	Hinge Plate (with pre-mounted screws)	(H4)
	2	Soft Close Hinge	(H5)
	2	Door Bumper	(H7)
	1	Door Handle Kit	(H9)
 1 1/4"	6	Drawer Front Screw (1 1/4" screw)	(H8)
	2	Cabinet Leg 2PK	(H10)

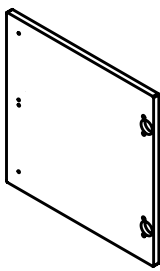
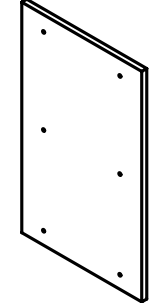
Cabinet Kit PACK E1

Picture	Qty	Item	Item ID
	1	End Panel Left	(L)
	1	End Panel Right	(R)

Cabinet Kit PACK C2

	1	Back Panel	(B)
	1	Fixed Shelf	(F)
	2	Cross Brace	(C)
	2	Apron Support	(E)
	1	Apron Rail	(D)

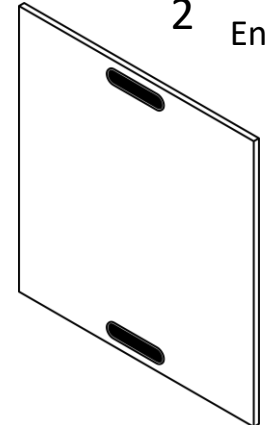
Finish Kit PACK D2

Picture	Qty	Item	Item ID
	1	Door	(I)
	1	Matching Back Panel	(J)

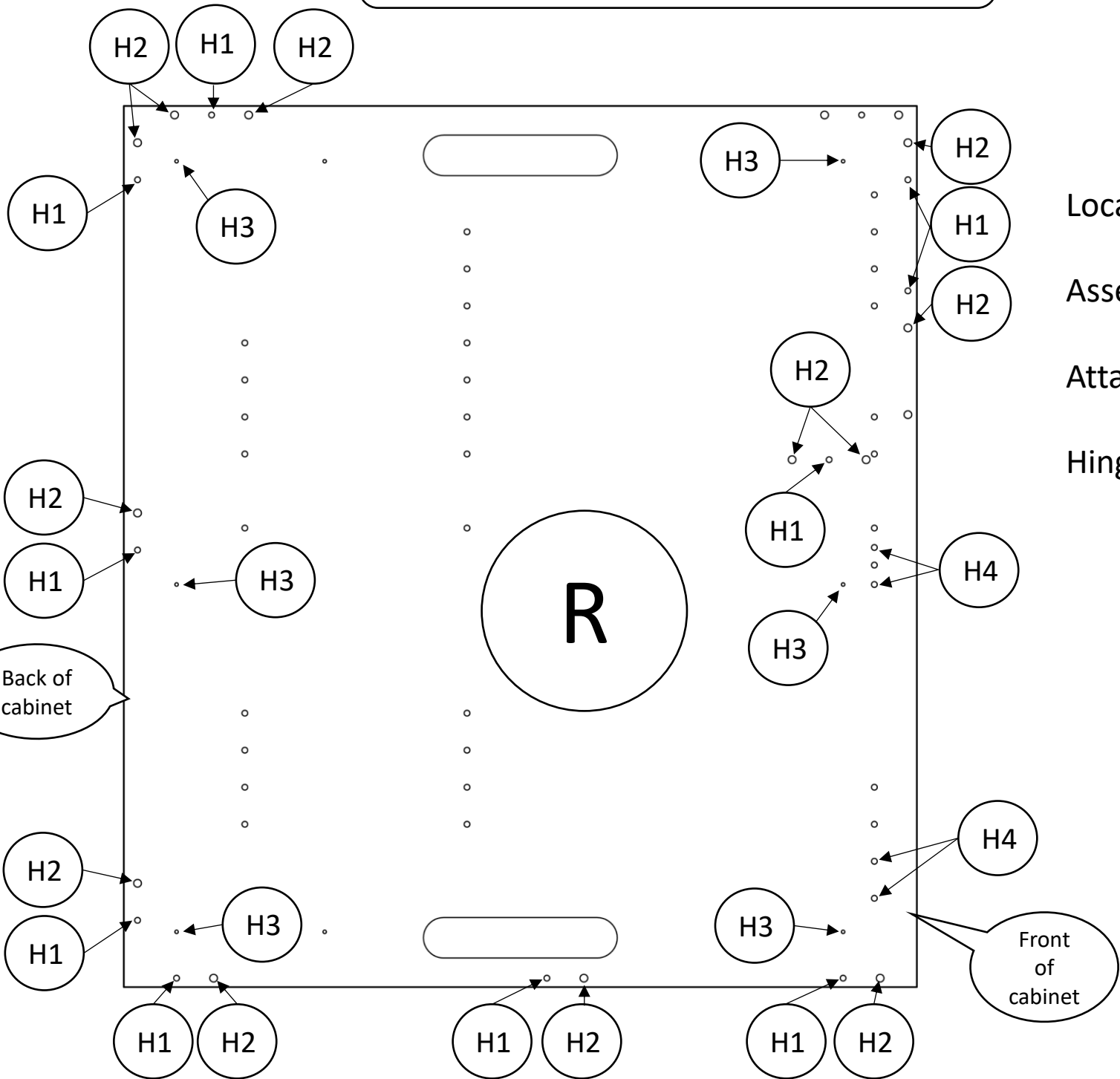
Finish Kit PACK A1

	1	Apron Front	(H)
--	---	-------------	-----

PACK B1 (Optional)

	2	Matching End Panel	(P)
---	---	--------------------	-----

Hole Assignments: Pack E1
 Hole Assignments – Right End Panel



Locator Dowel holes (H1)

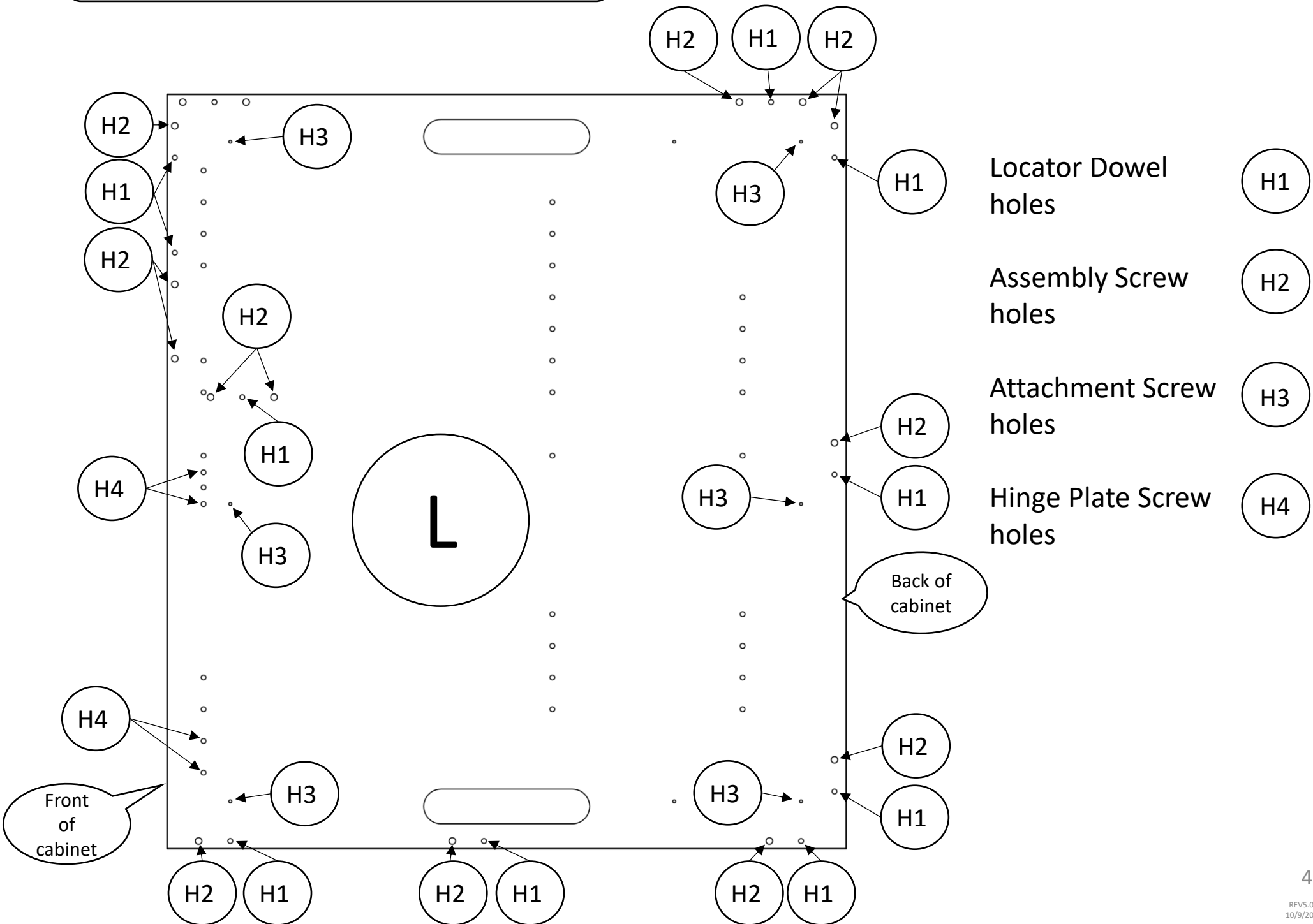
Assembly Screw holes (H2)

Attachment Screw holes (H3)

Hinge Plate Screw holes (H4)

Hole Assignments: Pack E1

Hole Assignments – Left End Panel



Steps for a Successful Installation

1. Prepare the Site

- 1.1 Your outdoor kitchen should always be installed on a stable surface (patio/deck/balcony/rooftop) which should be as near to level as drainage requirements allow.
- 1.2 All cabinets come standard with adjustable stainless steel legs. However, in instances of extreme slope, or very large kitchens, footings may be needed to compensate if it falls out of the adjustable range of the legs.
- 1.3 Your kitchen has been designed to be freestanding and does not need to be affixed to the ground/wall. For extreme environments, such as high wind areas, we suggest that your kitchen be secured to an appropriate support structure. Please consult with your contractor/engineer for specifics.
- 1.4 Verify with your contractor/engineer to ensure that the surface is designed to support the weight of the kitchen.

2. Planning for Appliances

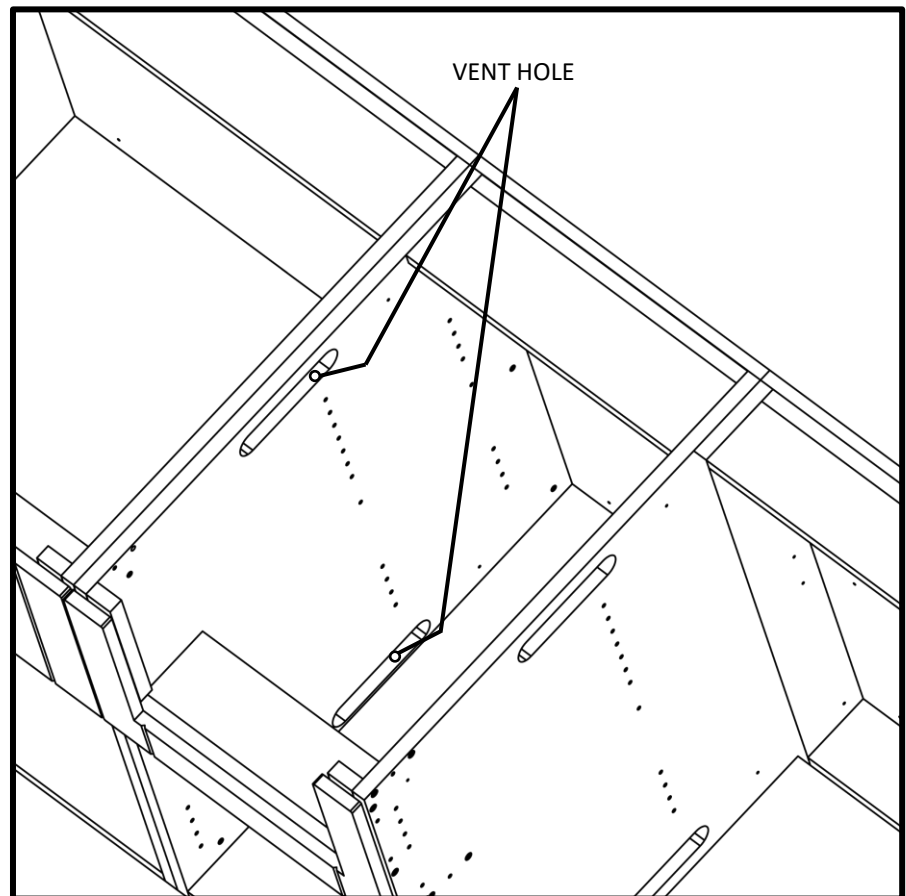
- 2.1 Your island cabinetry is made from weatherproof combustible materials and therefore, each gas appliance requires an insulated heat jacket. Check your specific island configuration for the necessary parts.
- 2.2 Please review the owner's manuals provided with your appliances before installation and ensure the hook-up is done by a licensed professional in accordance with local codes.



ATTENTION: WeatherStrong recommends using a licensed professional to handle all gas and electric connections.

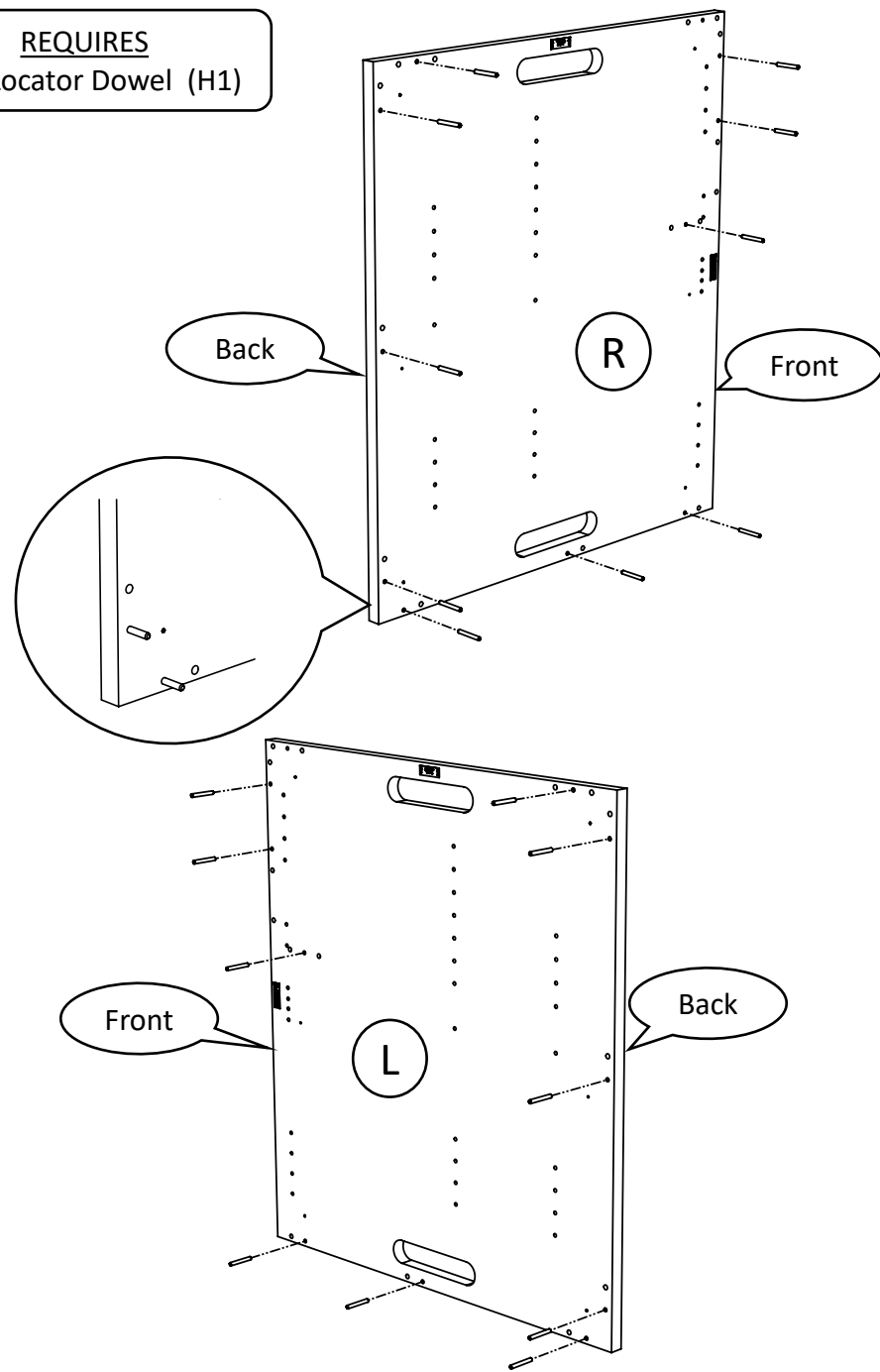
3. Planning for Services (Gas/Electrical/Plumbing)

- 3.1 Vent holes are included in most cabinets to make service planning and implementation as easy as possible.
- 3.2 Local codes have specific requirements and restrictions for all services. Please ensure that planning and installation is performed by a locally licensed tradesperson.



STEP 1

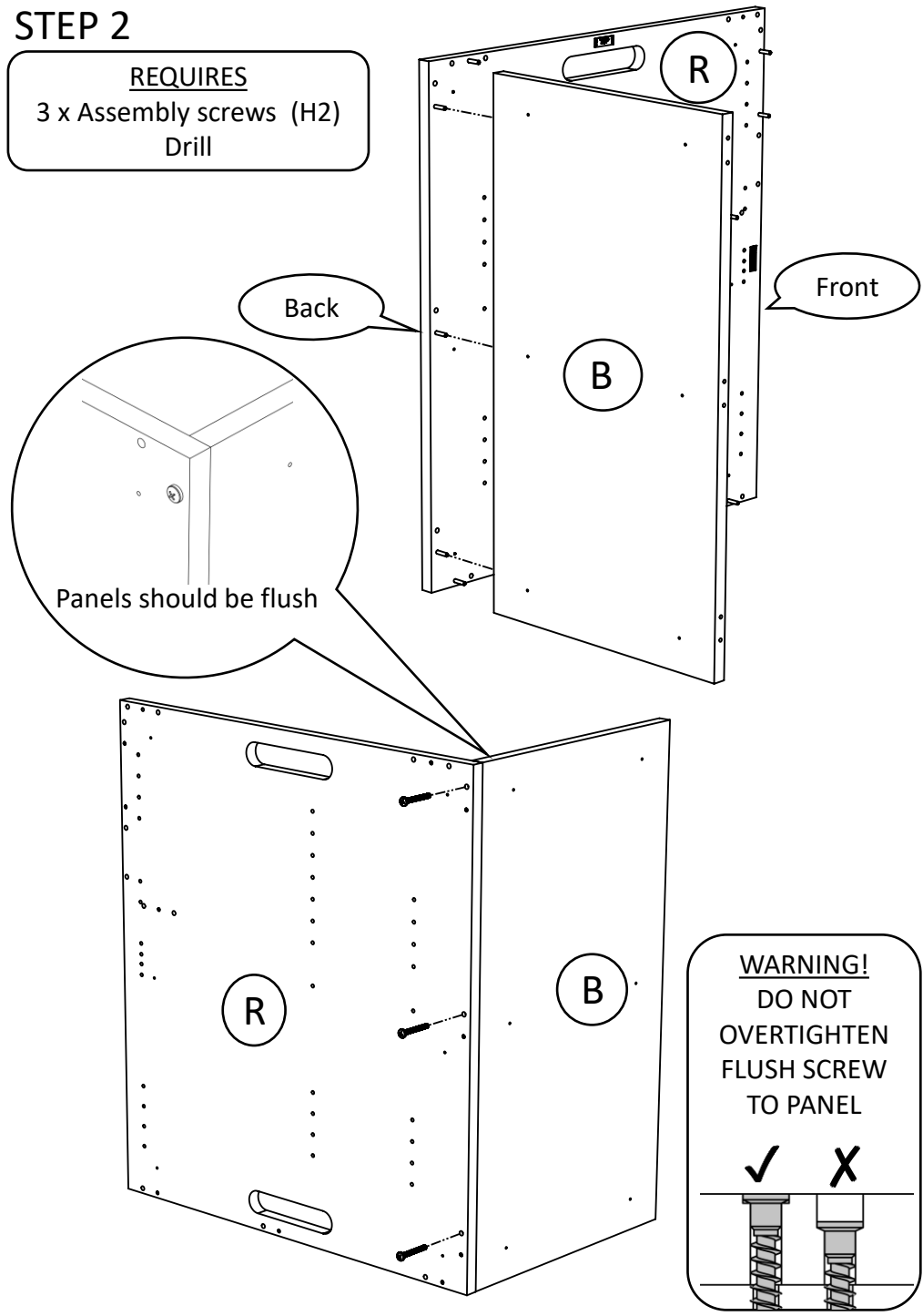
REQUIRES
20 x Locator Dowel (H1)



Lay **Panel (R)** and **(L)** on a flat surface and insert **Locator Dowel (1)** in the correct locator dowel holes. Reference pages 3 and 4.

STEP 2

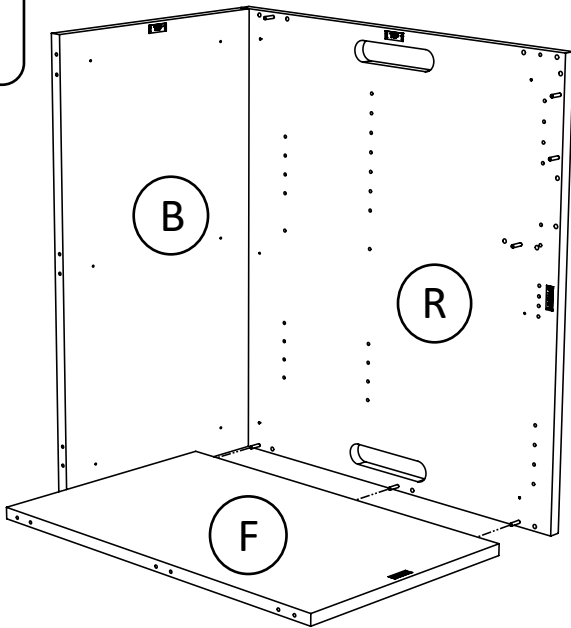
REQUIRES
3 x Assembly screws (H2)
Drill



Insert the 3 **Locator Dowels** on the left side of **Panel (R)** into the locator dowel holes on the side of **Panel (B)**. Use the **Drill** and 3 **Assembly Screws (H2)** to screw **Panel (R)** to **Panel (B)**. If **Panel (B)** is not flush or inset with the edge of **Panel (R)** rotate **Panel (B)** 180 degrees.

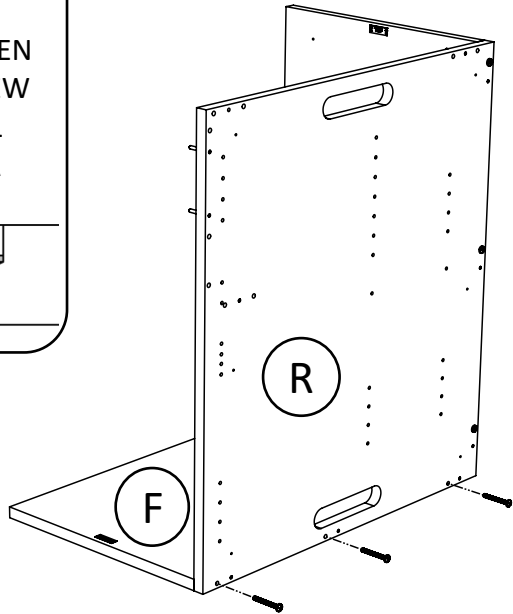
STEP 3

REQUIRES
3 x Assembly screws (H2)
Drill



WARNING!
DO NOT
OVERTIGHTEN
FLUSH SCREW
TO PANEL

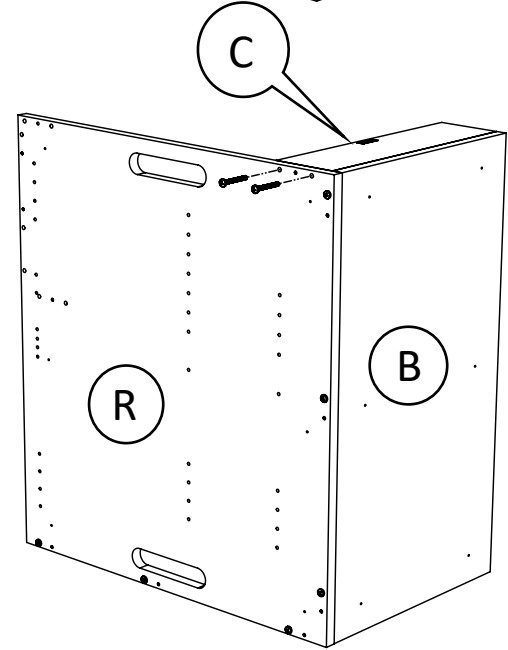
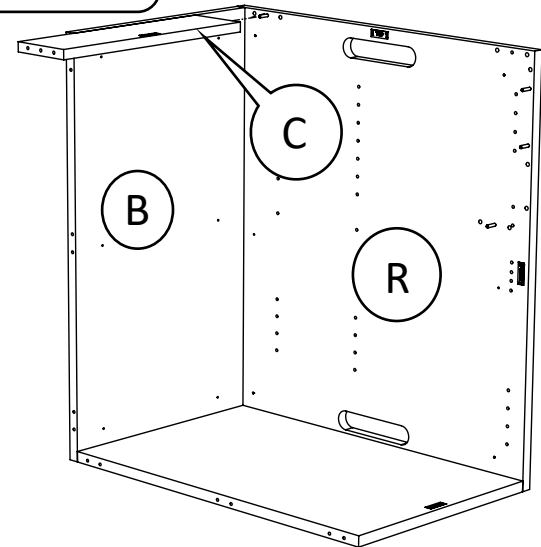
✓ X



Insert the 3 **Locator Dowels** on the bottom of **Panel (R)** into the locator dowel holes on the side of **Panel (F)**. Use the **Drill** and 3 **Assembly Screws (H2)** to screw **Panel (R)** to **Panel (F)**.

STEP 4

REQUIRES
2 x Assembly screws (H2)
Drill



Insert **Locator Dowel (H1)** on **Panel (R)** into locator dowel hole on **Panel (C)**. Now, use the **Drill** and 2 **Assembly Screws (H2)** to screw **Panel (R)** to **Panel (C)**.

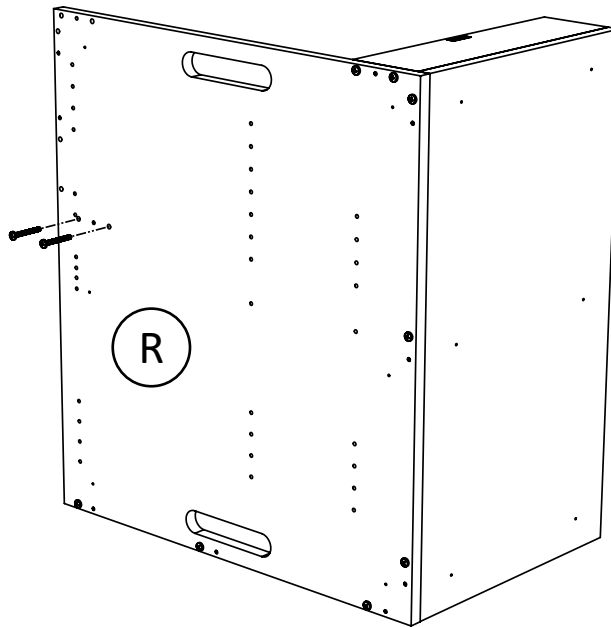
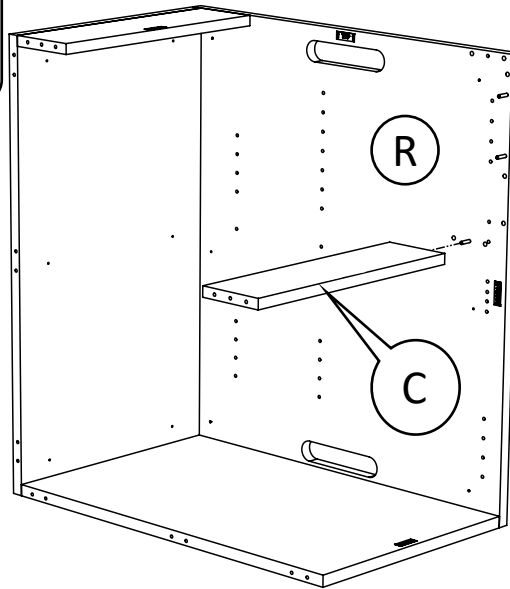
STEP 5

REQUIRES

2 x Assembly screws (H2)
Drill

WARNING!

DO NOT
OVERTIGHTEN
FLUSH SCREW
TO PANEL

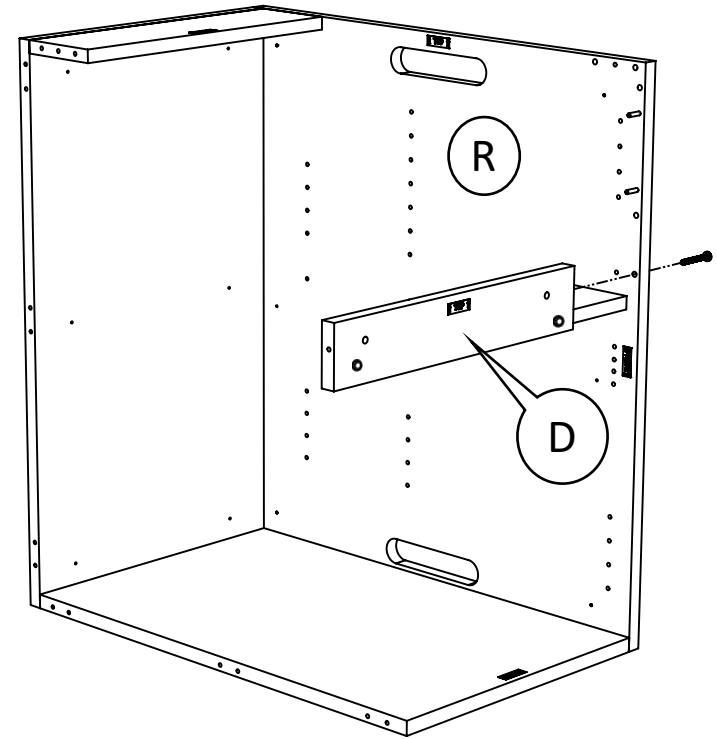


Insert the **Locator Dowel (H1)** on **Panel (R)** into the locator dowel hole on **Panel (C)**. Now, use the **Drill** and 2 **Assembly Screws (H2)** to screw **Panel (R)** to **Panel (C)**.

STEP 6

REQUIRES

1 x Assembly screws (H2)
Drill

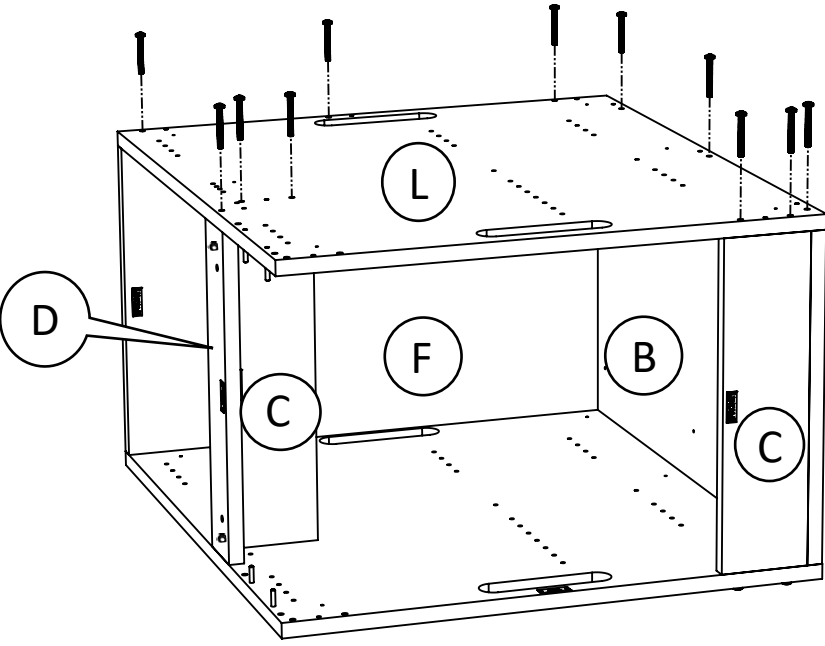
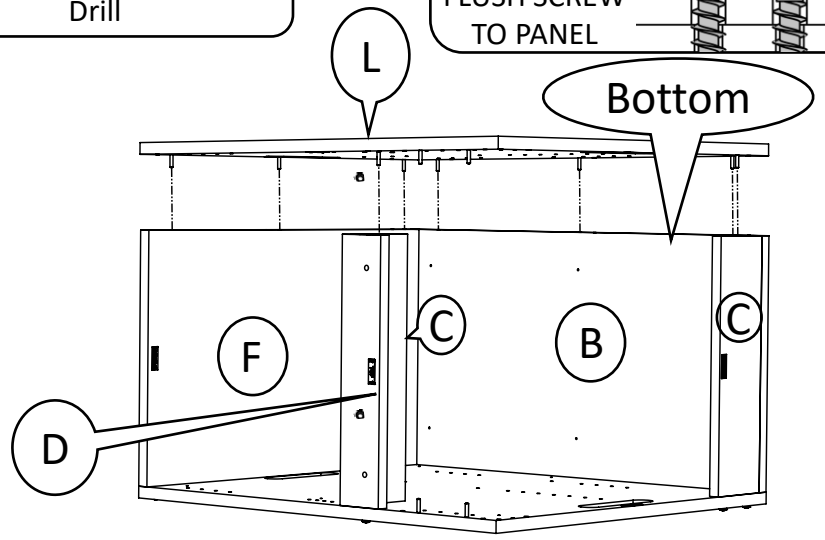


Use the **Drill** and 1 **Assembly Screw (H2)** screw **Panel (R)** to **Panel (D)**.

STEP 7

REQUIRES
11 x Assembly screws (H2)
Drill

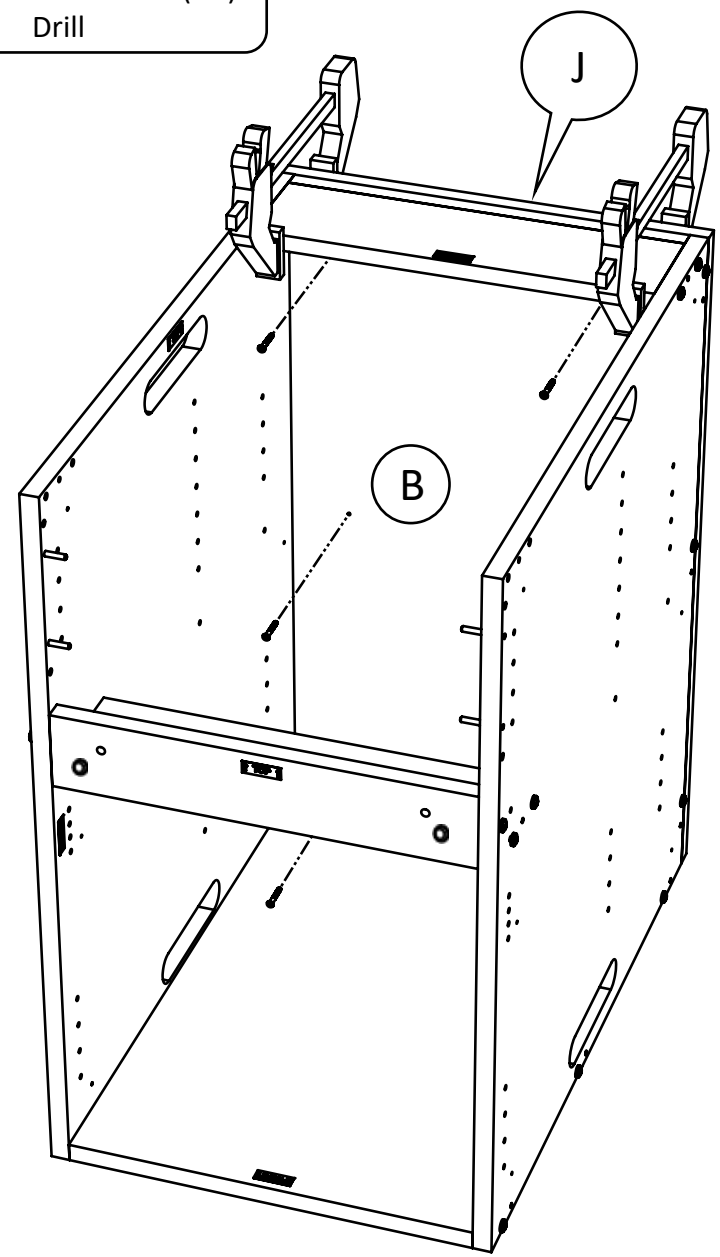
WARNING!
DO NOT
OVERTIGHTEN
FLUSH SCREW
TO PANEL



Insert the **Locator Dowels** on **Panel (L)** into the locator dowel holes on the sides of **Panels (F), (C), (D), and (B)**. Using the **Drill** and **8 Assembly Screws (H2)**, screw **Panel (L)** to **Panels (F), (C), (D) and (B)**.

STEP 8

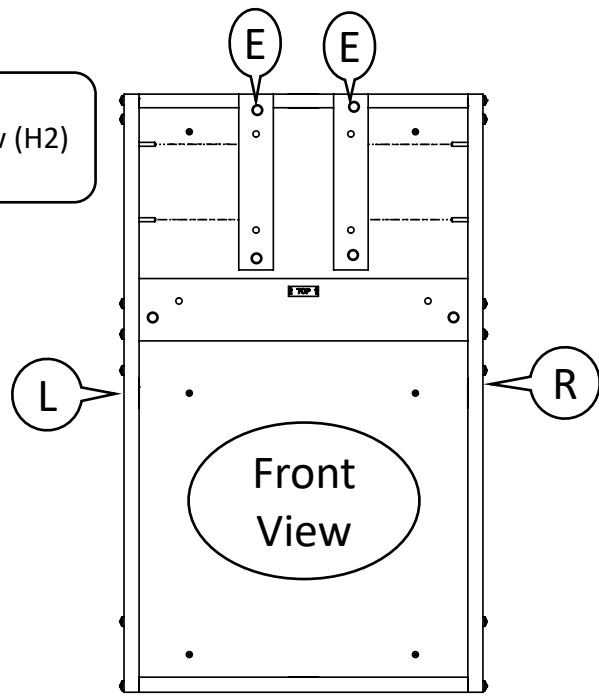
REQUIRES
6 x Attachment Screws (H3)
Drill



Align the attachment screw holes in **Panel (B)** with the attachment screw holes in **Panel (J)**. Then using the **Drill** and **6 Attachment Screws (H3)**, screw **Panel (B)** to **Panel (J)**.

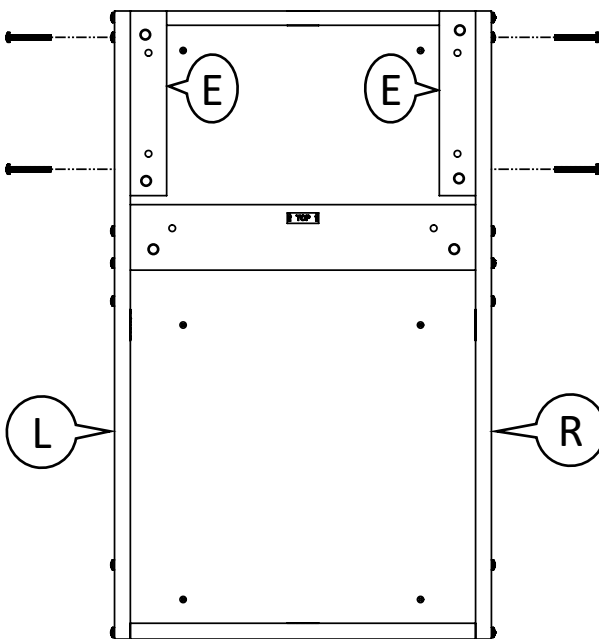
STEP 9

REQUIRES
4 x Assembly Screw (H2)
Drill



WARNING!
DO NOT
OVERTIGHTEN
FLUSH SCREW
TO PANEL

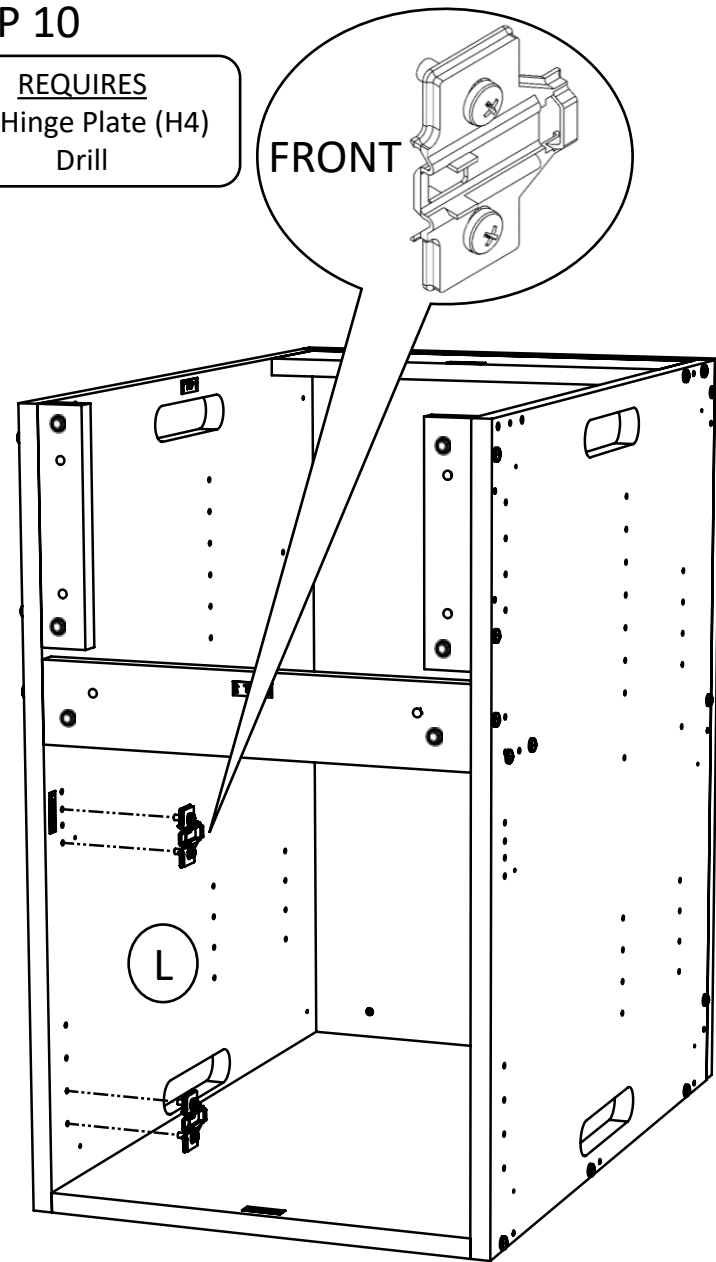
✓ X



Insert the 2 **Locator Dowels** (H1) on **Panel (L)** and **Panel (R)** into locator dowel holes on **Panels (E)**. Then, using the **Drill** and 4 **Assembly Screws** (H2) (2 per each panel), screw **Panels (R)** and **(L)** to **Panels (E)**.

STEP 10

REQUIRES
2 x Hinge Plate (H4)
Drill



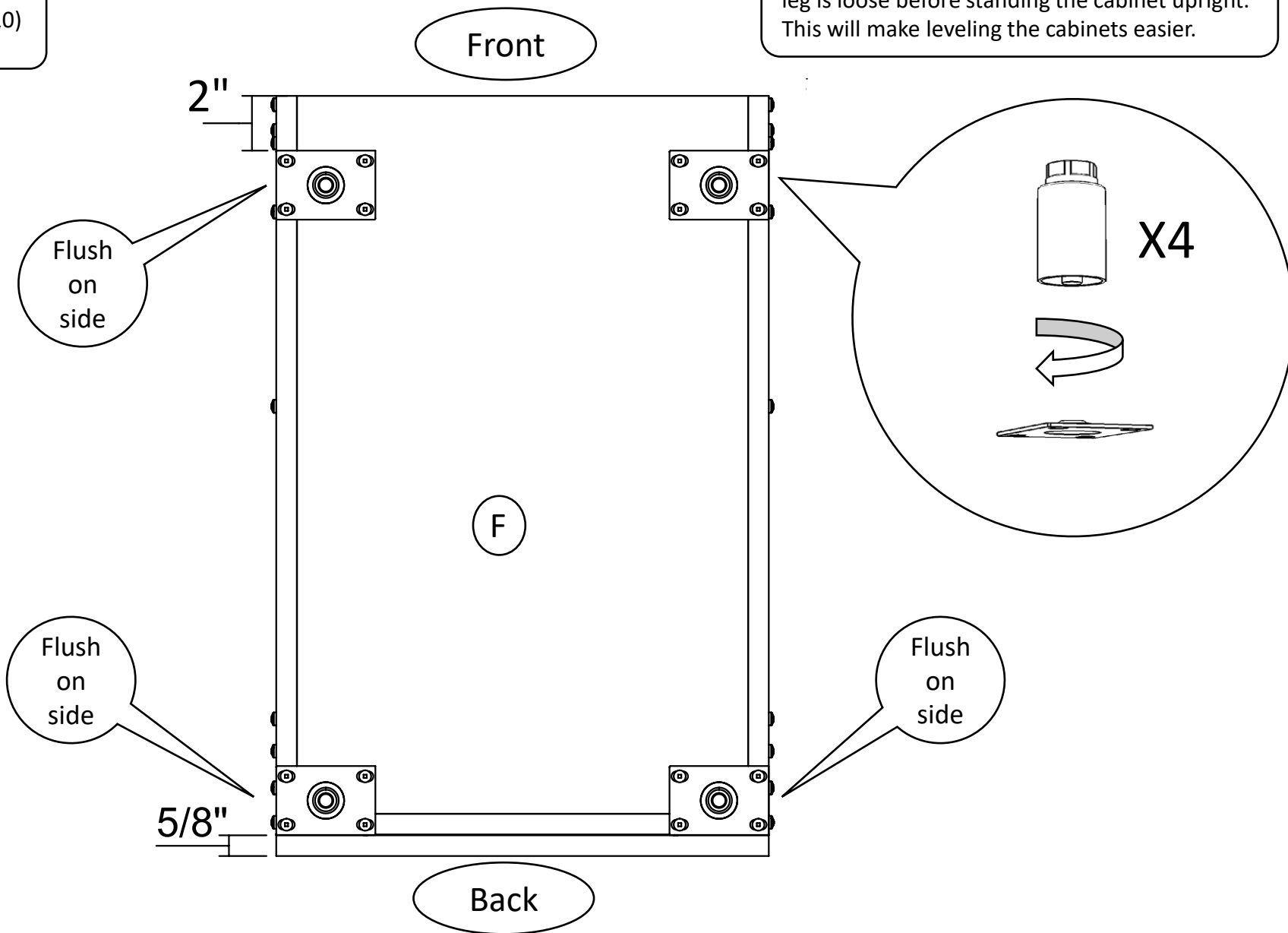
Using the **Drill**, screw 2 **Hinge Plate** (H4) into the correct hinge plate holes. **Hinge Plates** can be attached to either side depending on which way the door will open. Reference hole assignment on page 3 or 4.

STEP 11

REQUIRES

- 2 x Cabinet Leg packs (H10)
- Drill

Pro Tip: Make sure the adjustable end of each leg is loose before standing the cabinet upright. This will make leveling the cabinets easier.



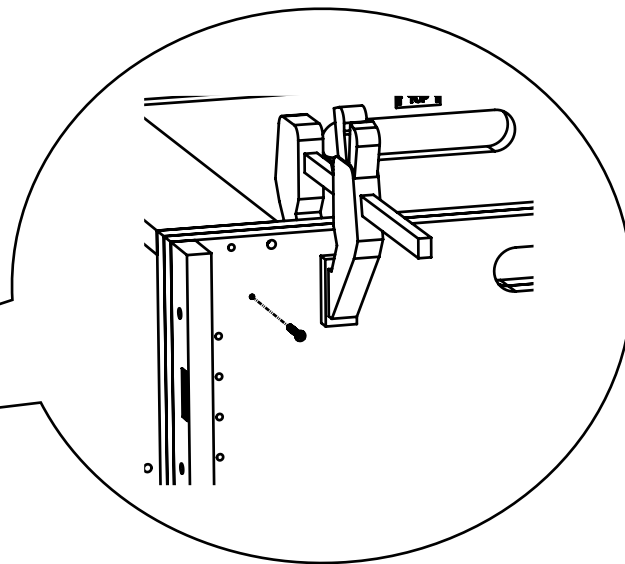
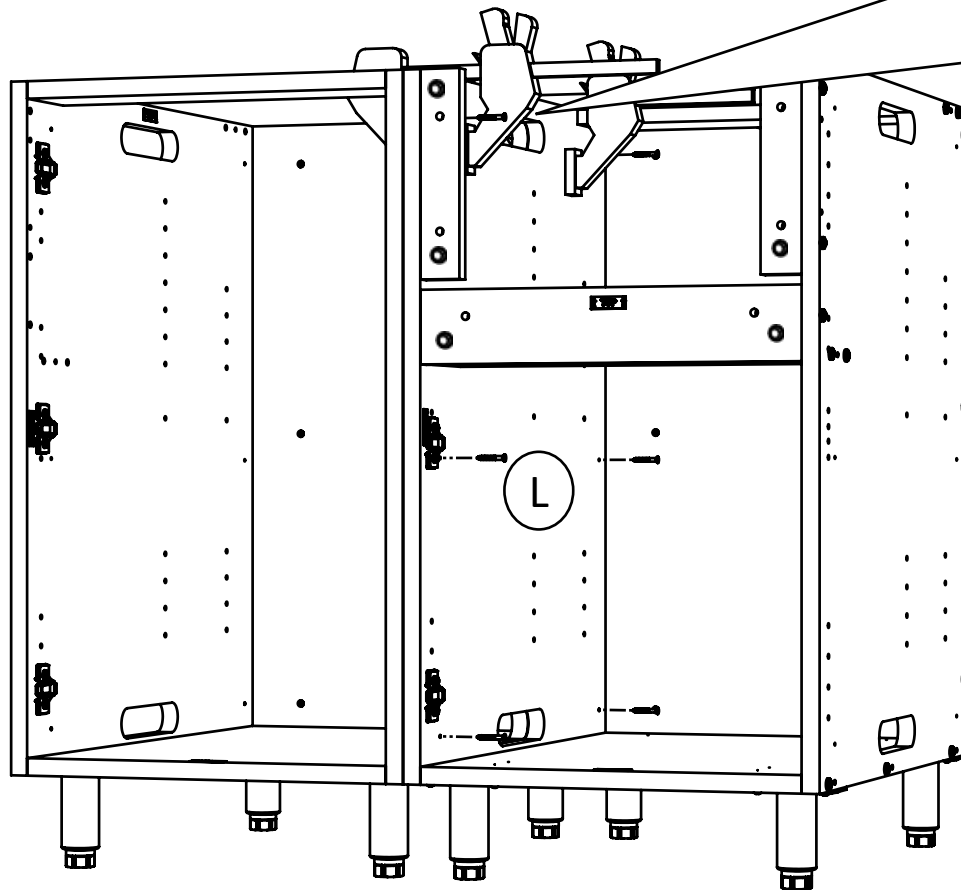
Cabinet Leg Pack (H10) consists of 2 cabinet legs, 2 cabinet leg plates and 8 screws. Screw front cabinet leg plates onto the cabinet 2 inches from the front, and flush to the sides. Screw back cabinet leg plates onto the cabinet 5/8 of an inch from the back and flush to the sides. Now, screw on the 4 adjustable legs.

STEP 12 (Depends on location of cabinet)

REQUIRES

6 x Attachment Screws
(H3) & Drill

Option A: Joining Cabinets Together



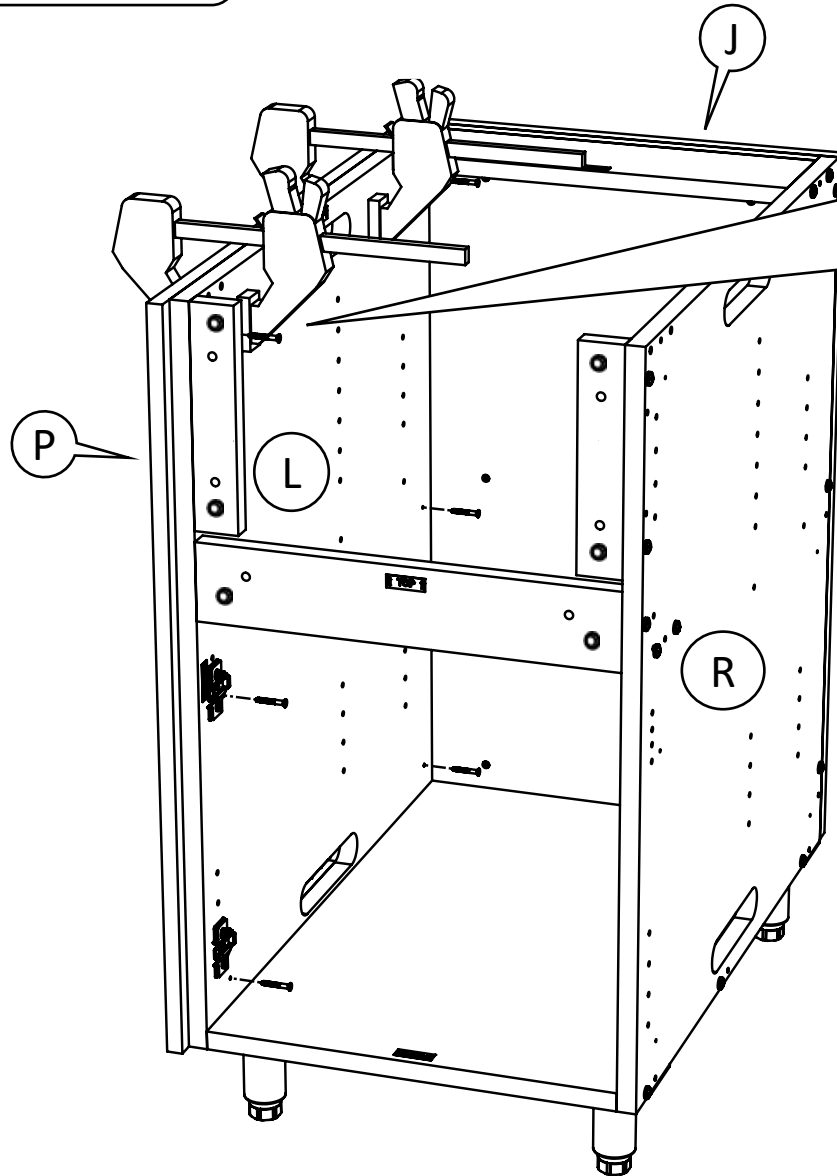
Option A: Screwing Cabinets Together – align the Attachment Screw holes in each cabinet and using the **Drill** and 6 **Attachment Screws (H3)** screw the cabinets together. You may wish to use a C-clamp to secure panels in place while attaching. Make sure the cabinet sides are flush in front and back.

STEP 12 (Depends on location of cabinet)

REQUIRES

6 x Attachment Screws (H3)
Drill

Option B: Applying A Finished End

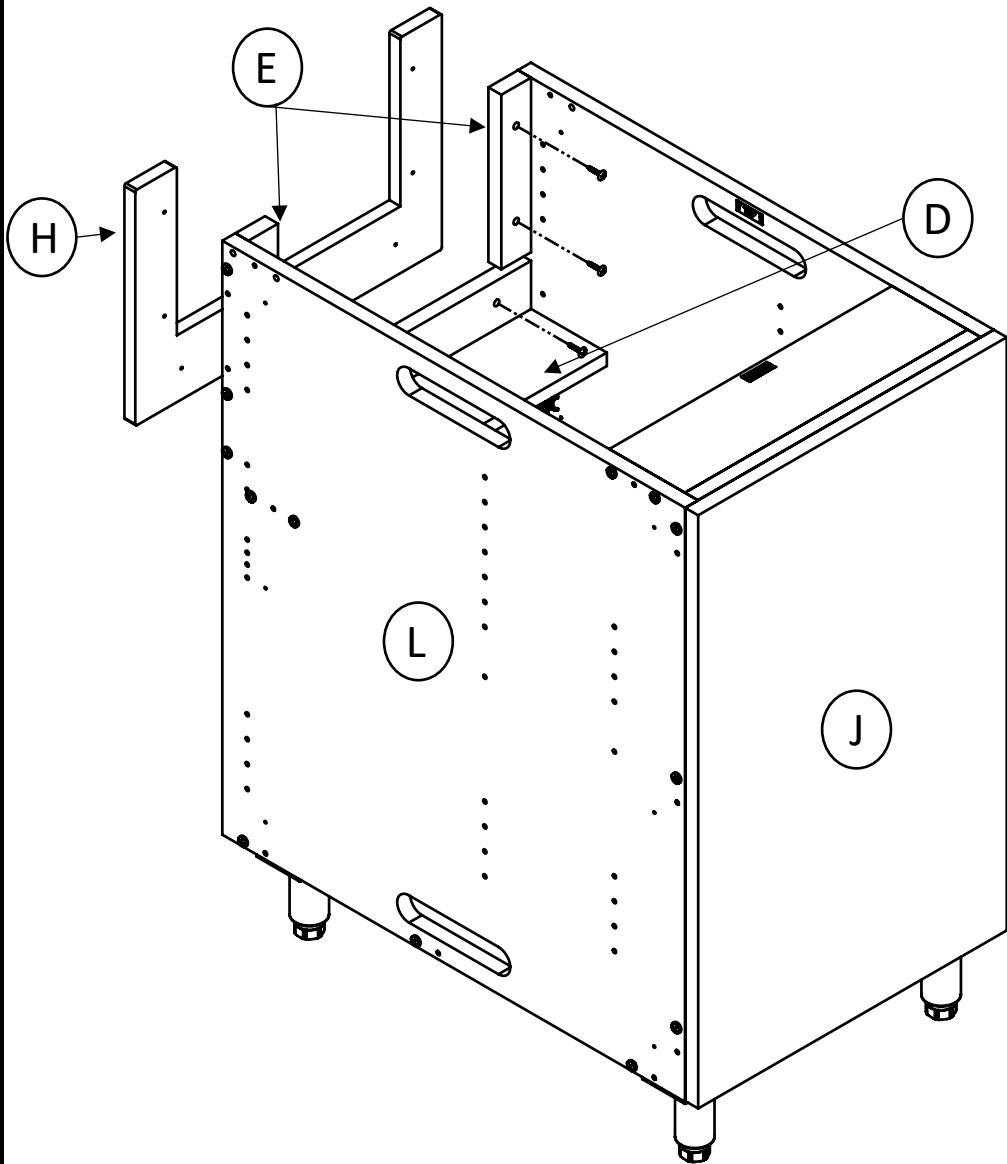


Option B: Applying Finished End – align **Panel (P)** to **Panel (L)** or **Panel (R)**, ensure **Panel (P)** is flush to the back of **Panel (J)**. Using the **Drill** and **6 Attachment Screws (H3)** screw **Panel (L)** or **(R)** to **Panel (P)**. You may wish to use a C-clamp to secure panels in place while attaching. The back edge of **Finished End (P)** should be flush with **Panel (J)**. The front edge will protrude in front of the cabinet until the doors are installed

STEP 13

REQUIRES

6 x Drawer Front Screw (H8)
Drill

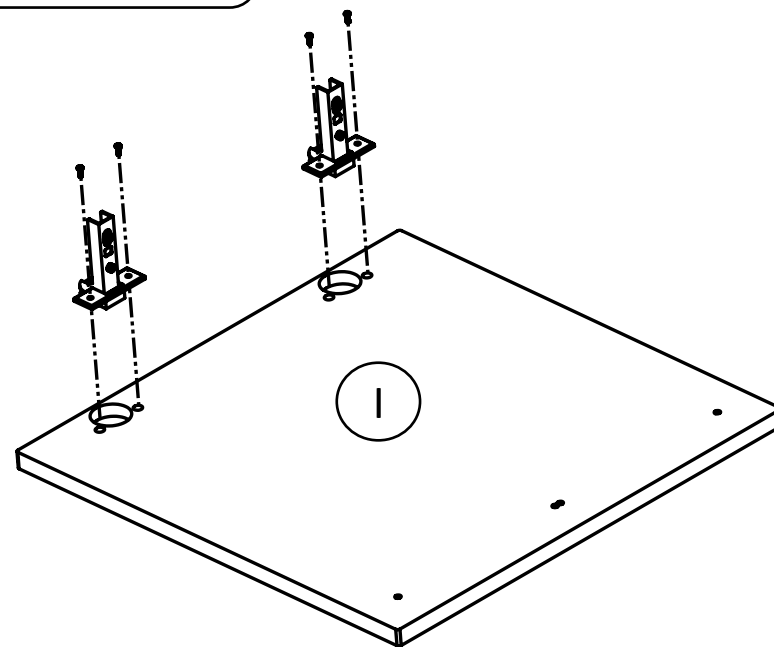


Make sure the Matching Apron is cut first. Using the **Drill** and 6 **Drawer Front Screws** (H8) screw **Panel (H)** to **Panels (E)** and **Panel (D)**

STEP 14

REQUIRES

2 x Soft Close Hinge (H5)
4 x Hinge Screw (H6)
Drill



Lay the **Door (I)** face-down on a smooth flat surface and insert 2 **Soft Close Hinges** (H5). Make sure the screw holes align. Using the **Drill** and 4 **Hinge Screws** (H6) screw the **Soft Close Hinges** (H5) to **Door (I)**.

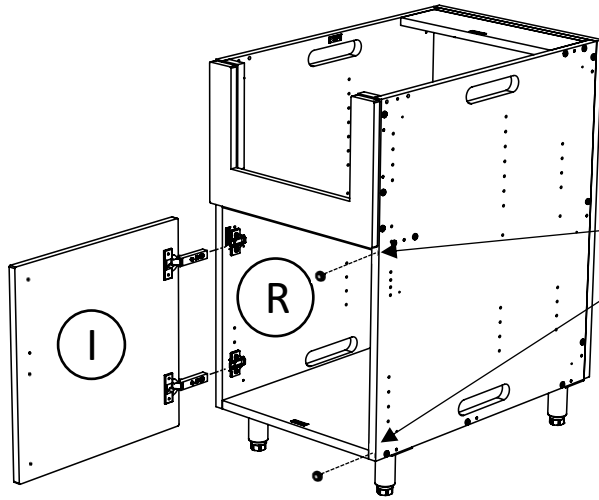
STEP 15

REQUIRES

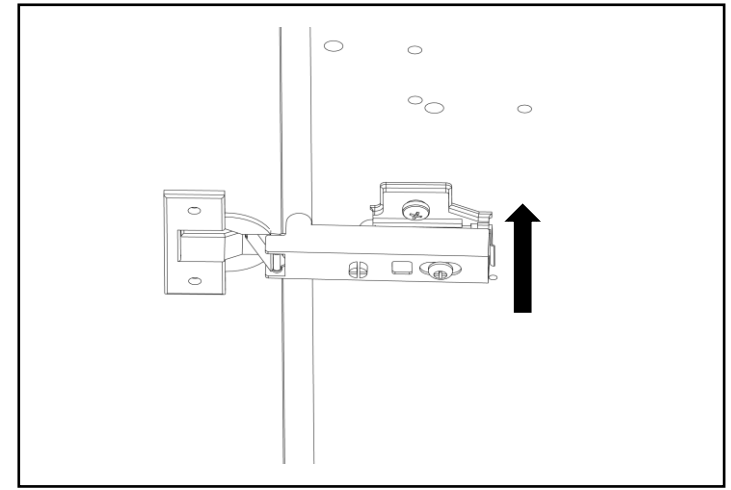
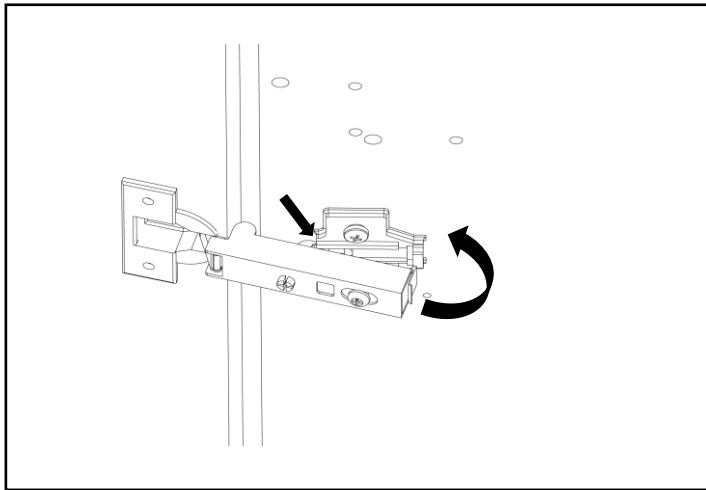
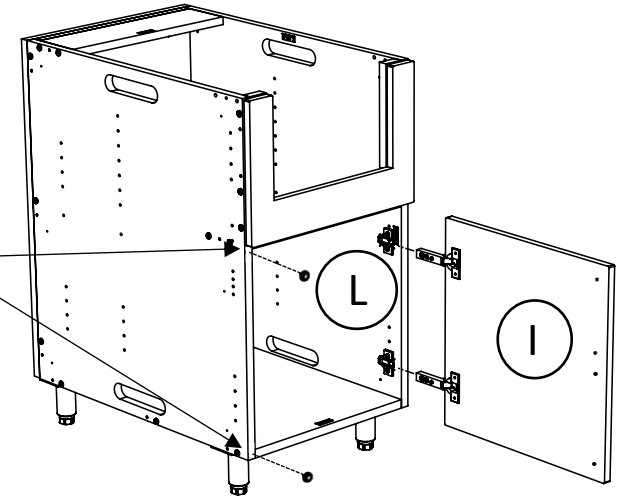
2 x Door Bumpers (H7)

Left Door

Right Door



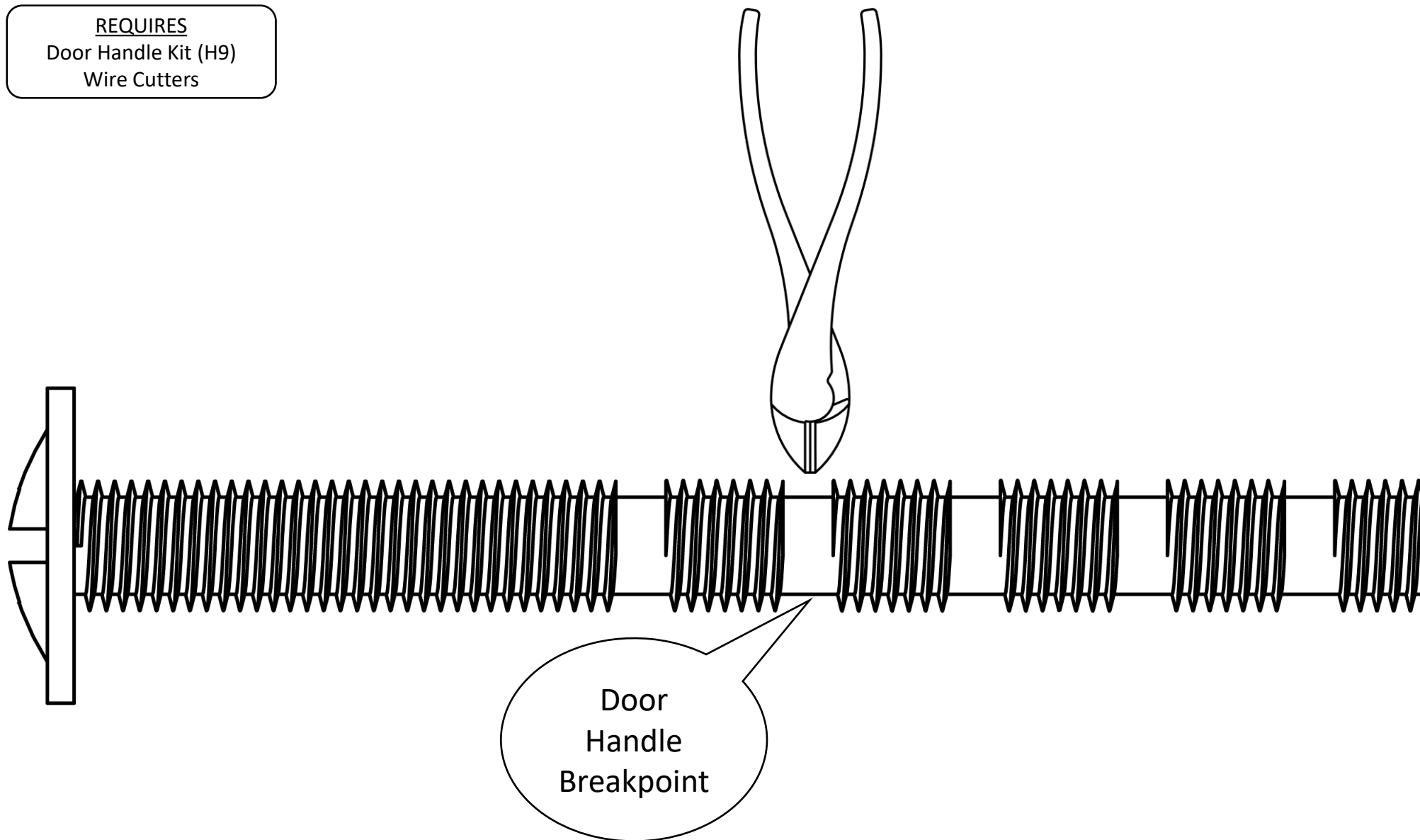
Depending on which side you hang the door, place bumpers accordingly.



To attach the **Door (I)** – Locate the small ‘hooks’ on the underside of the **Soft Close Hinge** and hook them under the front of the **Hinge Plate**, then press the back of the **Hinge** towards the **Plate** until it ‘clicks’ into place.

STEP 16

REQUIRES
Door Handle Kit (H9)
Wire Cutters

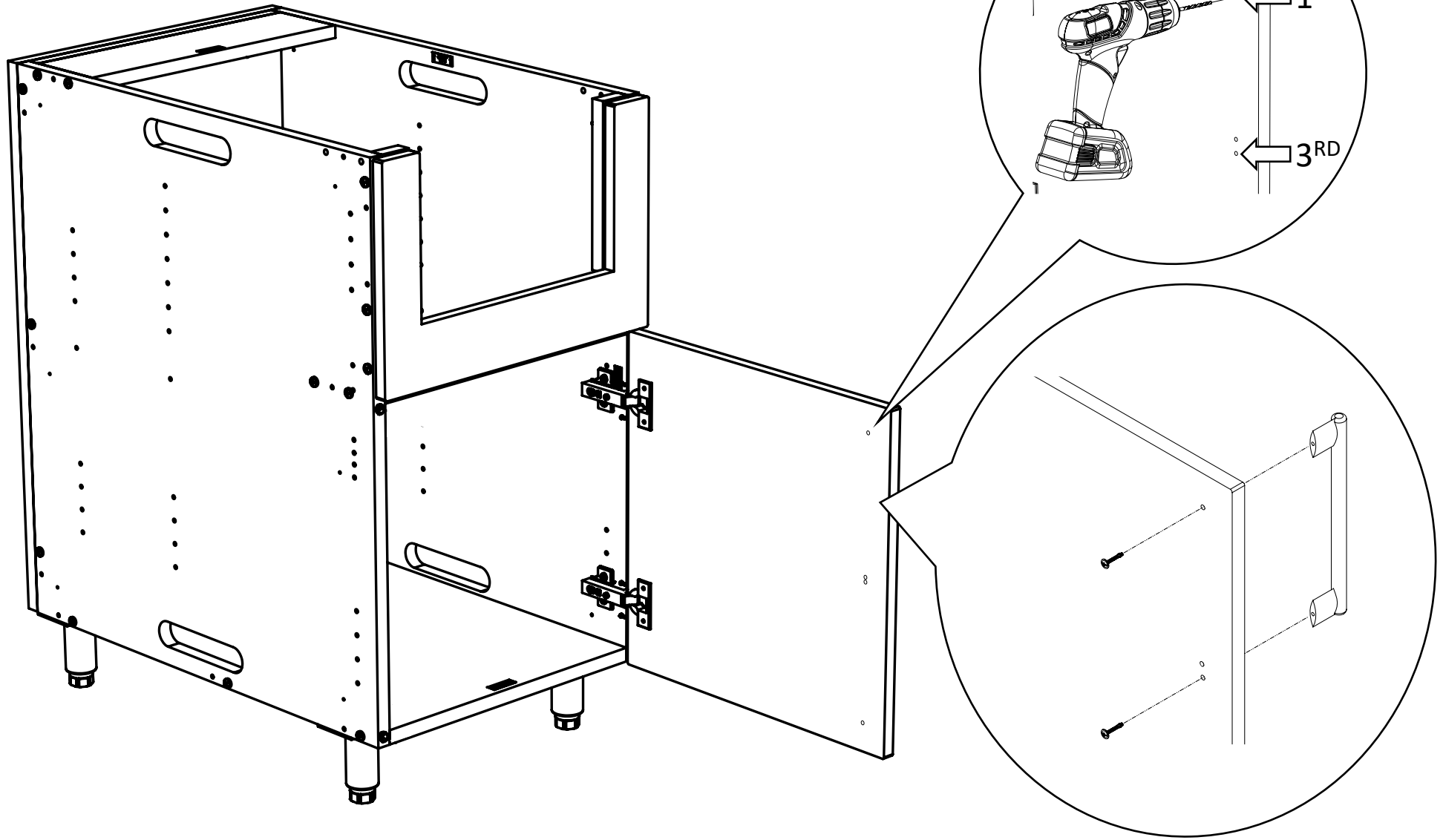


Use **Wire Cutters** or **Pliers** to cut the **Handle Screws** at the **Door Handle** breakpoint

STEP 17

REQUIRES

1 x Door Handle Kit (H9)
Drill



Once door is installed on the correct side of the cabinet, drill through the 1ST and 3RD top handle pilot holes with a 9/64" diameter drill bit. Then, attach **Door Handle** (H9) with two handle screws

Care and Adjustment Guide

AFTER INSTALLATION CARE

After your cabinets have been installed, wipe down all surfaces with a damp cloth to remove dust. A soft cloth or sponge with mild dishwashing liquid can be used if needed. For tougher to clean spots, wash with Simple Green.

EVERYDAY CARE

Salt Water Environments: Oceanfront environments with salt air and sea spray will require regular maintenance and cleaning to prevent rust from forming on the handles, hinges, legs and drawer runners. Clean stainless steel surfaces several times a month to keep the chemical reaction, from the salt, from gaining a foothold on the hardware. With regular cleaning, your cabinets will look like new for many years. To achieve maximum corrosion and stain resistance, the surface of the stainless steel must be kept clean.

NEVER use abrasive cleaners, scouring pads, or powdered cleansers.

HARDWARE CARE

Use mild soap and warm water to clean stainless steel legs and door handles. Thoroughly dry hardware surfaces after cleaning. **DO NOT** use silver or brass polish.

GRILL & SIDE BURNER CABINET

Under no circumstance should a grill or side burner be installed without the appropriate heat liner specified by the manufacturer of the appliance.

HEAT APPLIANCES

Free-standing grills with adequate space from direct heat are recommended, or “built-in grills” with an insulated liner provided by the grill manufacturer.

LIGHT EXPOSURE

Cabinet sides and backs that will be exposed to direct sunlight and other weather elements **MUST** be covered by a matching end panel in coordinating High-Density Polyethylene (HDPE). Failure to install these protective panels will void the cabinet warranty.

Door Alignment

Cabinets feature a 6-way adjustable hinge that will allow you to adjust and align all the doors after installation

1. The center screw will adjust the door from side to side
2. The top and bottom screws in the hinge plate will allow adjustment up and down
3. The back screw will adjust the door in and out

Please Note: These are soft-close hinges and will close slower at first.

