

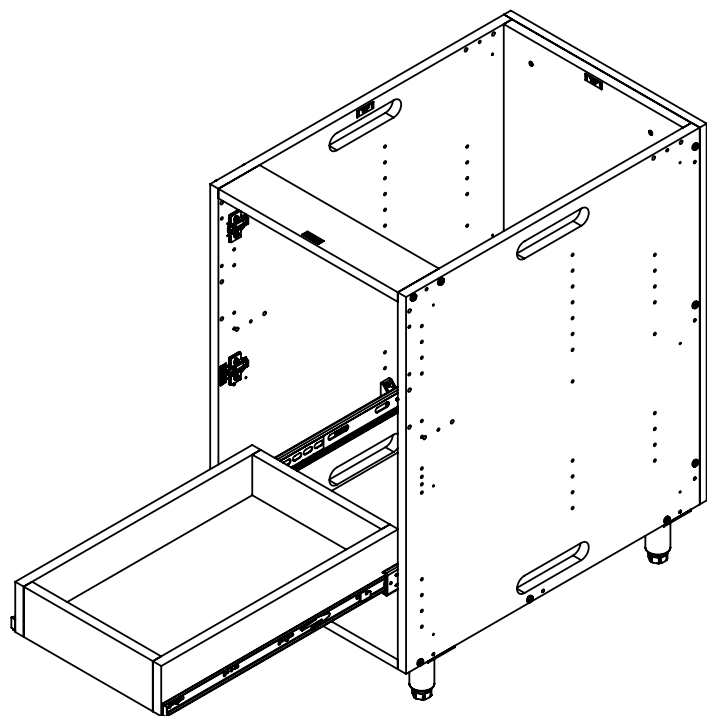
Assembly Instructions - ROTK18-FG

Rollout Tray Kit for 18" Base

Requires:	Description:
1 – C1	18" wide Base Cabinet Panel Kit
1 – P2	Rollout Tray Kit for 18" Base




For assistance visit
Weatherstrong.com
 888-845-0004



Before you start assembly, inspect all panels and hardware to ensure nothing is damaged and that you have everything required.

We recommend laying the components on provided packaging to protect the finish when assembling.

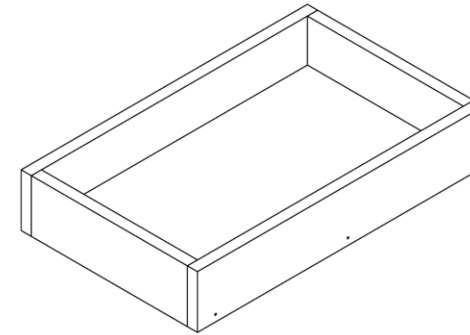
Required Tools
 Electric Drill with Phillips



Hardware Kit

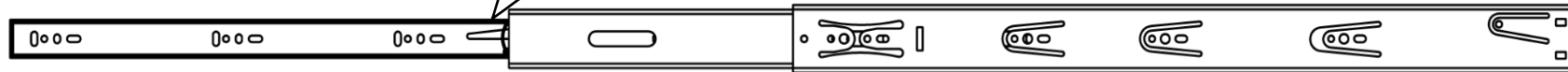
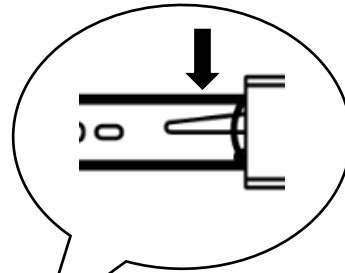
Rollout Tray

Picture	Qty	Item	Item ID
	6	Drawer Installation Screw	H11
	2	Drawer Runner	H13
	12	Euro Screw	H14
	4	Spacer	H15



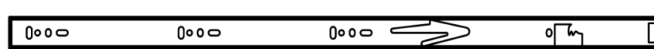
STEP 1

REQUIRES
2 x Drawer Runner (H13)



A

B

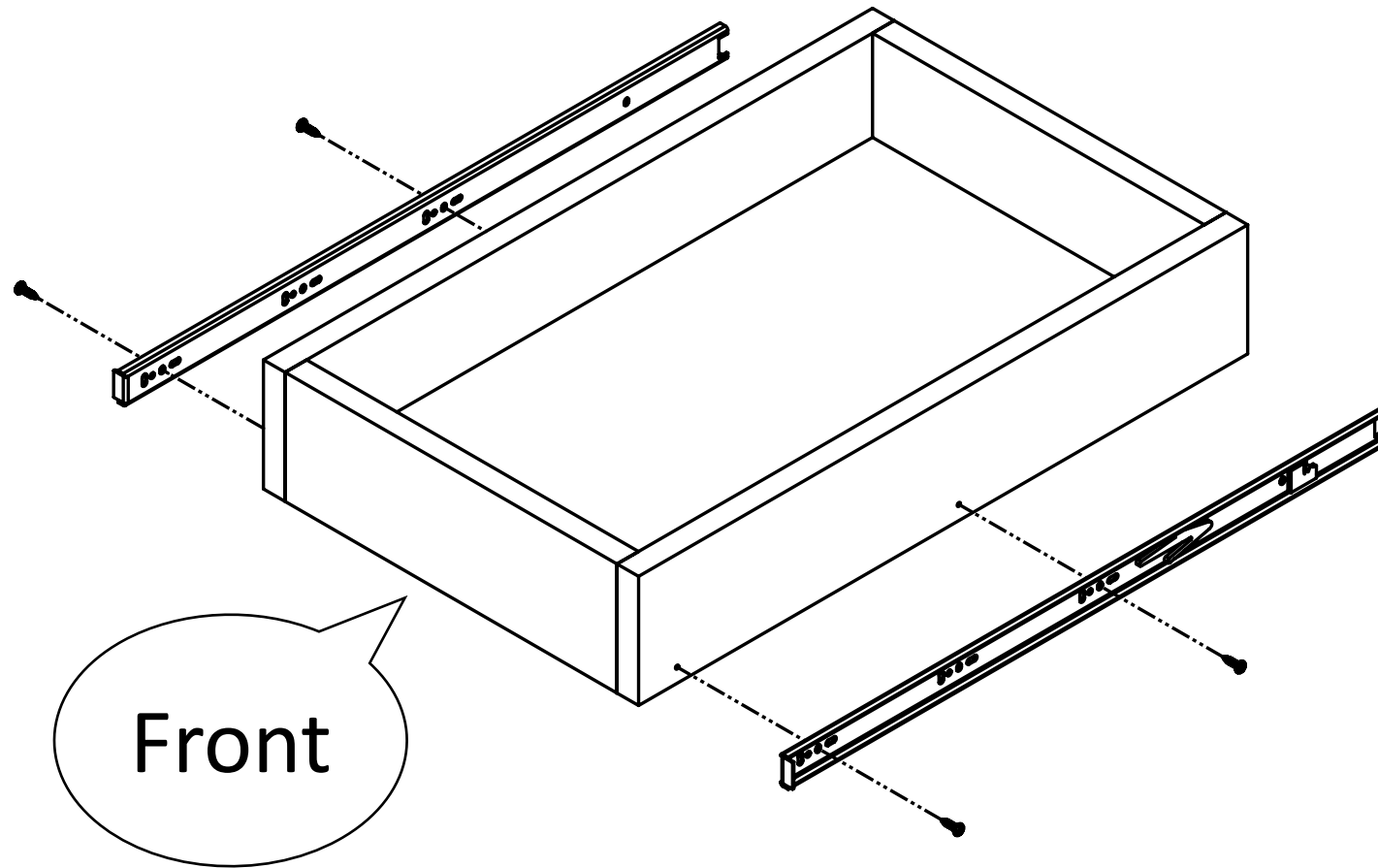


Remove **Drawer Runners** from packaging and extend the runners. While pressing down on the white tab pull **Smaller Runner Member (A)** apart from **Larger Runner Member (B)**.

STEP 2

REQUIRES

4 x Drawer Installation Screw (H11)
2 x Drawer Runner (A)
Drill



Attach the **Smaller Runner Members (A)** to **Rollout Tray** with (4) **Drawer Installation Screws (H11)**. The tabs should be flush with the front of the box.

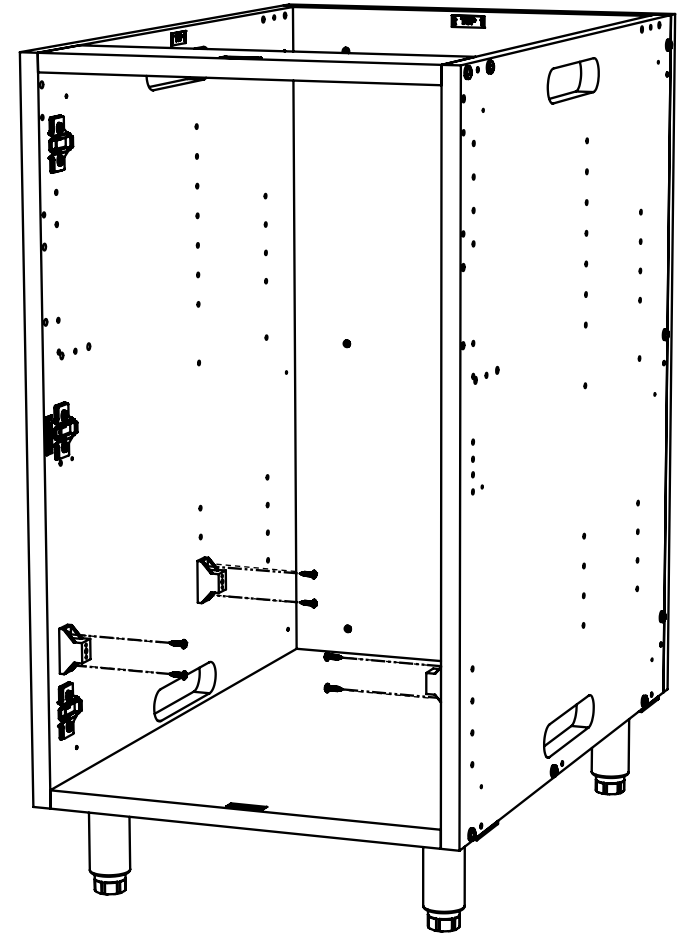
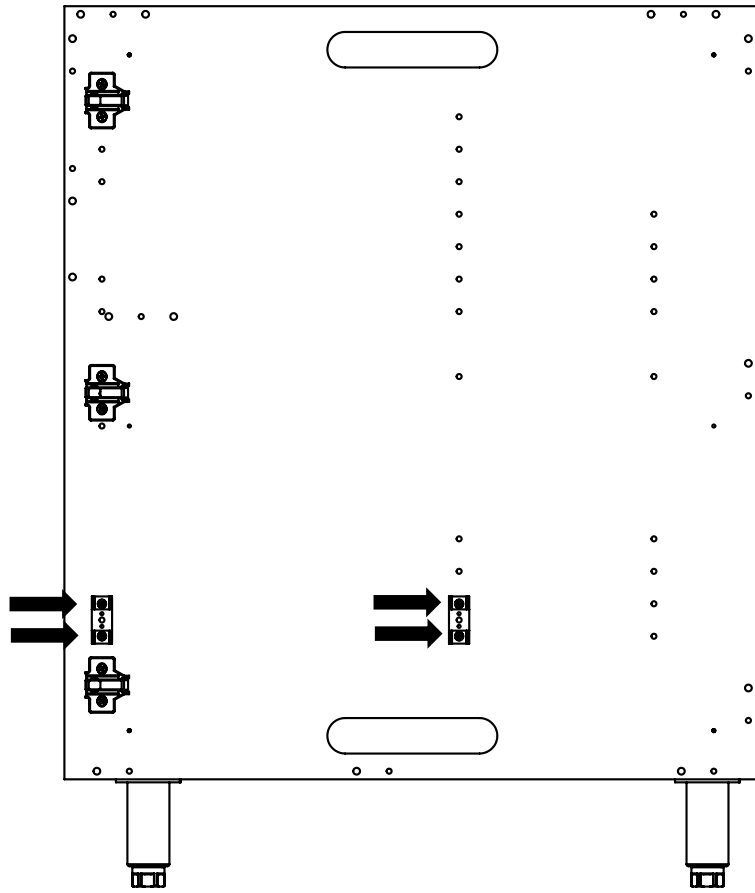
STEP 3

REQUIRES

8 x Euro Screw (H14)

4 x Spacer (H15)

Drill

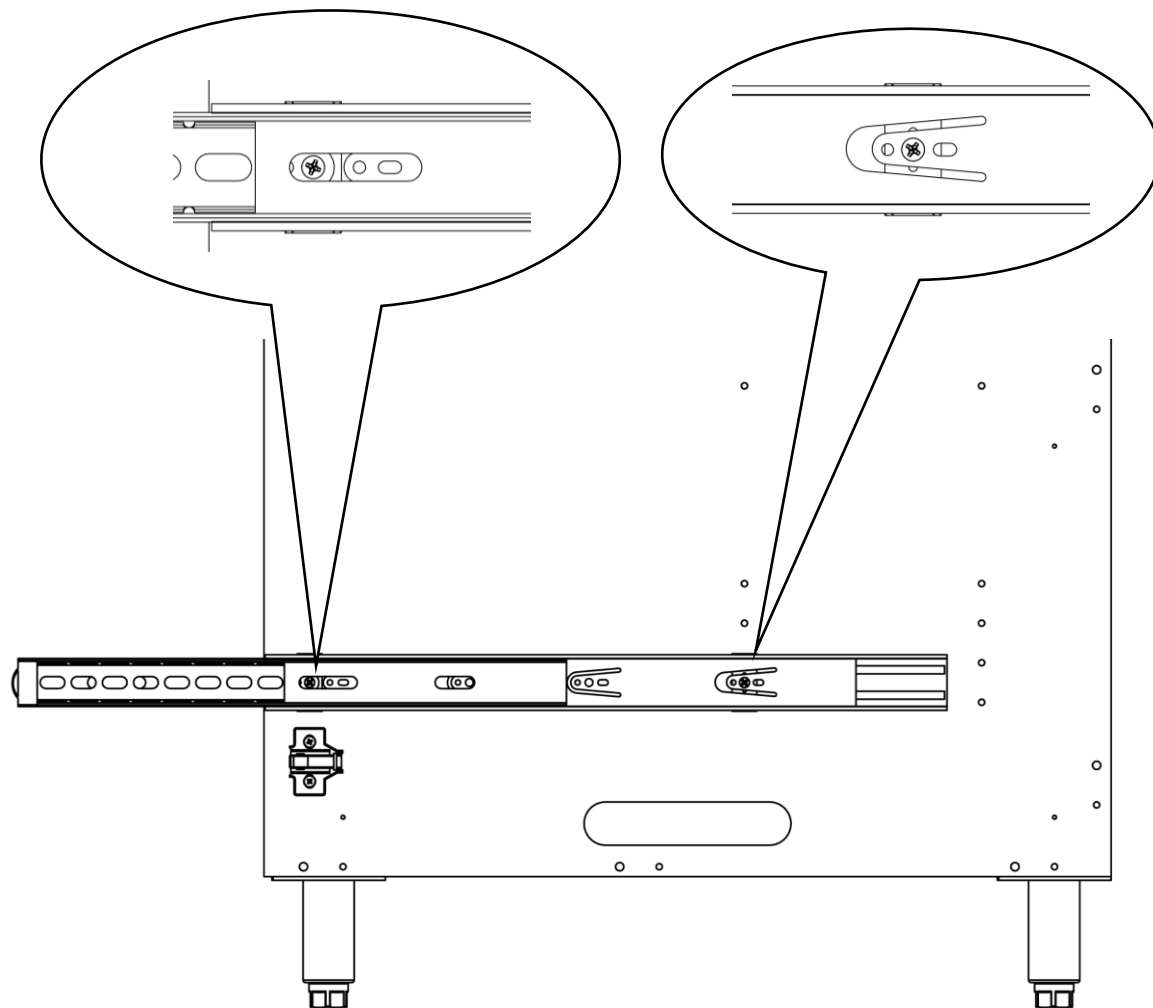
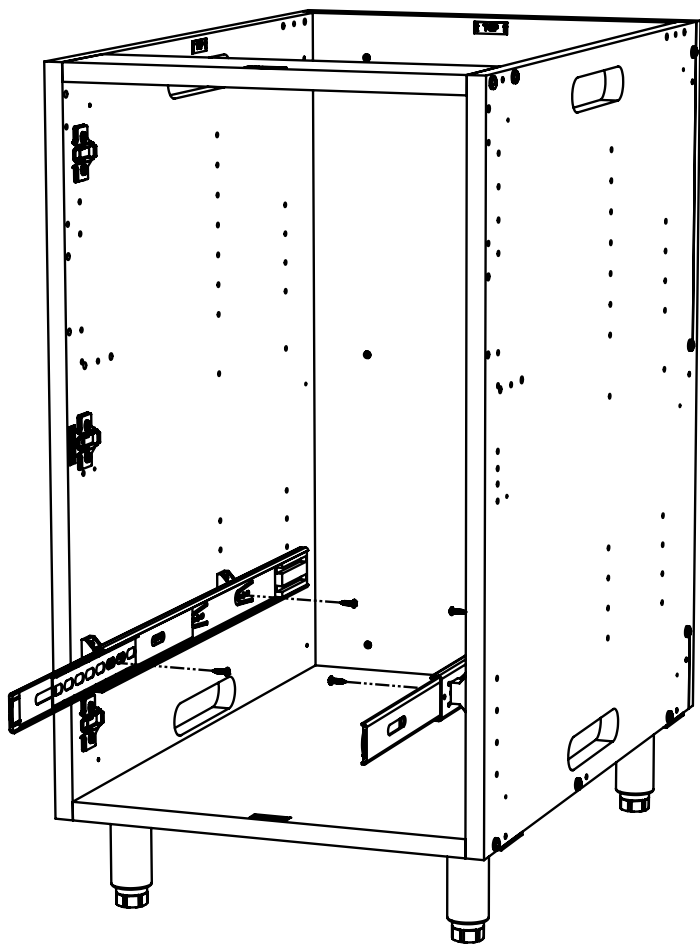


Install two **Spacers** (H15) on each End Panel just above the lower hinge, as shown, using two **Euro Screws** (H14) per **Spacer**.

STEP 4

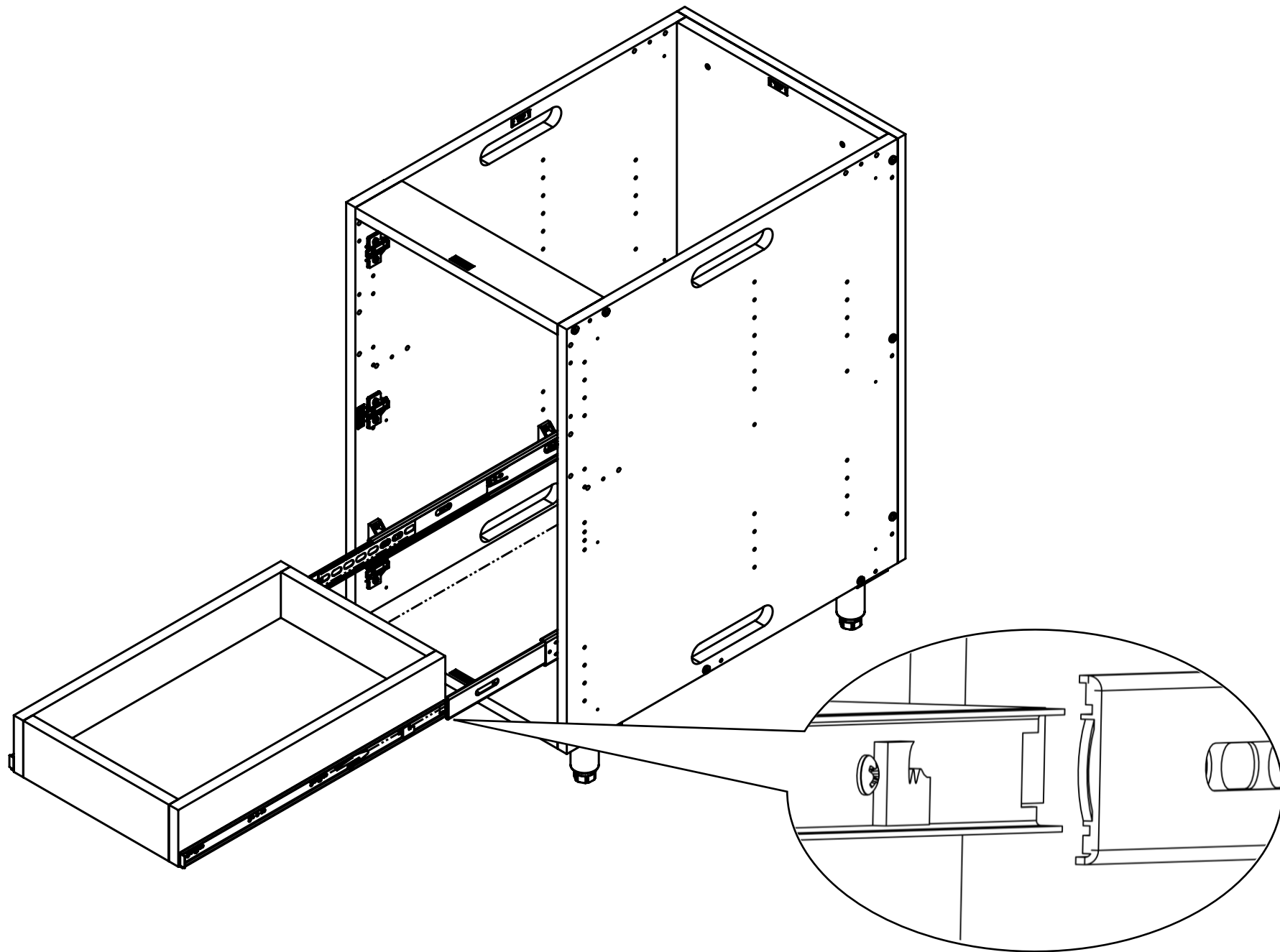
REQUIRES

- 4 x Euro Screws (H14)
- 2 x Larger Runner Member (B)
- Drill



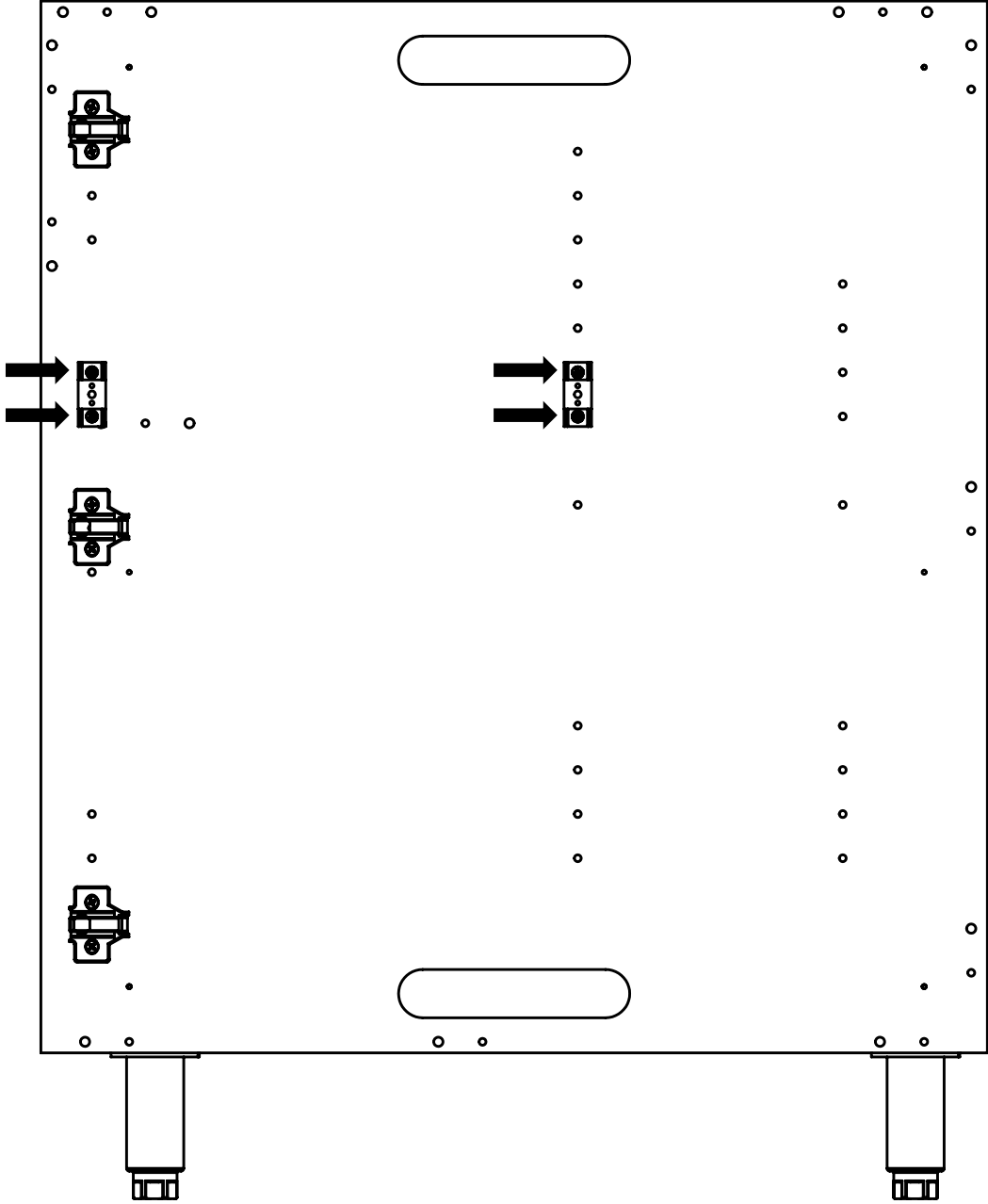
Attach the **Larger Runner Members (B)** to the **Spacers (H15)** using two **Euro Screws (H14)** per runner. To access the attachment holes, you will need to extend the runner mechanism, as shown.

STEP 5



Carefully slide the **Rollout Tray** into the **Larger Runner Members (B)** by inserting the **Smaller Members (A)** into the plastic guides at the front of the **Larger Members**. You should hear a 'click' when fully inserted.

STEP 6



If applicable repeat steps to install an additional upper **Rollout Tray** at the designated holes shown above.