

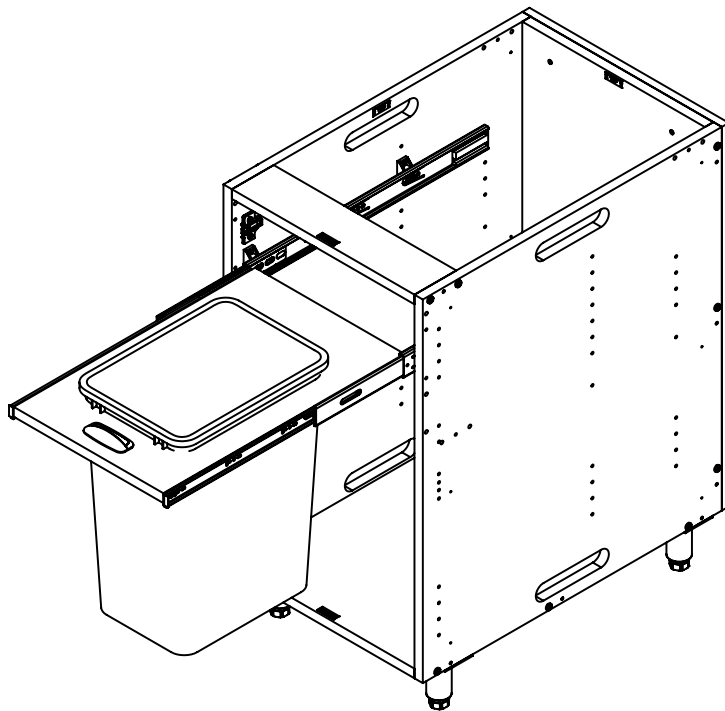
Assembly Instructions - TPOK18-FG

Trash Pullout Kit for 18" Base

Requires:	Description:
1 – C1	18" wide Base Cabinet Panel Kit
1 – P3	Trash Pullout Kit for 18" Base




For assistance visit
Weatherstrong.com
888-845-0004



Before you start assembly, inspect all panels and hardware to ensure nothing is damaged and that you have everything required.

We recommend laying the components on provided packaging to protect the finish when assembling.

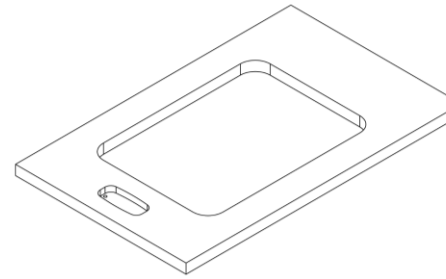
Required Tools
Electric Drill with Phillips



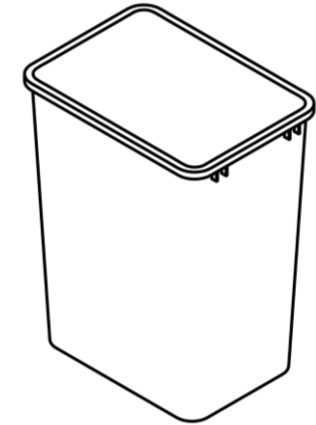
Hardware Kit

Picture	Qty	Item	Item ID
 5/8	6	Drawer Installation Screw	H11
	1	Handle	H12
	2	Shelf Runner	H13
 7/16	12	Euro Screw	H14
	4	Spacer	H15

Trash Can Shelf



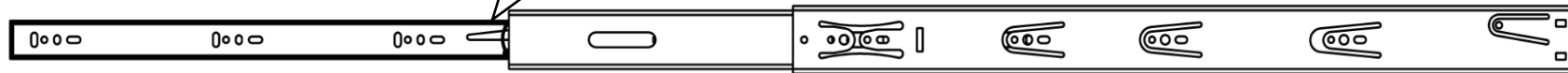
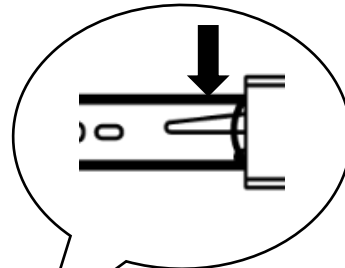
Trash Can



STEP 1

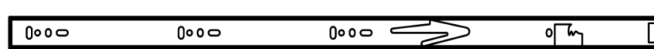
REQUIRES

2 x Shelf Runner (H13)



A

B

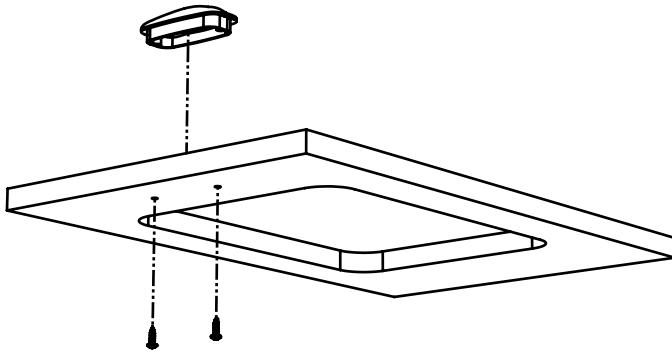


Remove **Shelf Runners** from packaging and extend the runners. While pressing down on the white tab pull **Smaller Runner Member (A)** apart from **Larger Runner Member (B)**.

STEP 2

REQUIRES

2 x Installation Screws (H11)
Handle (H12)
Drill

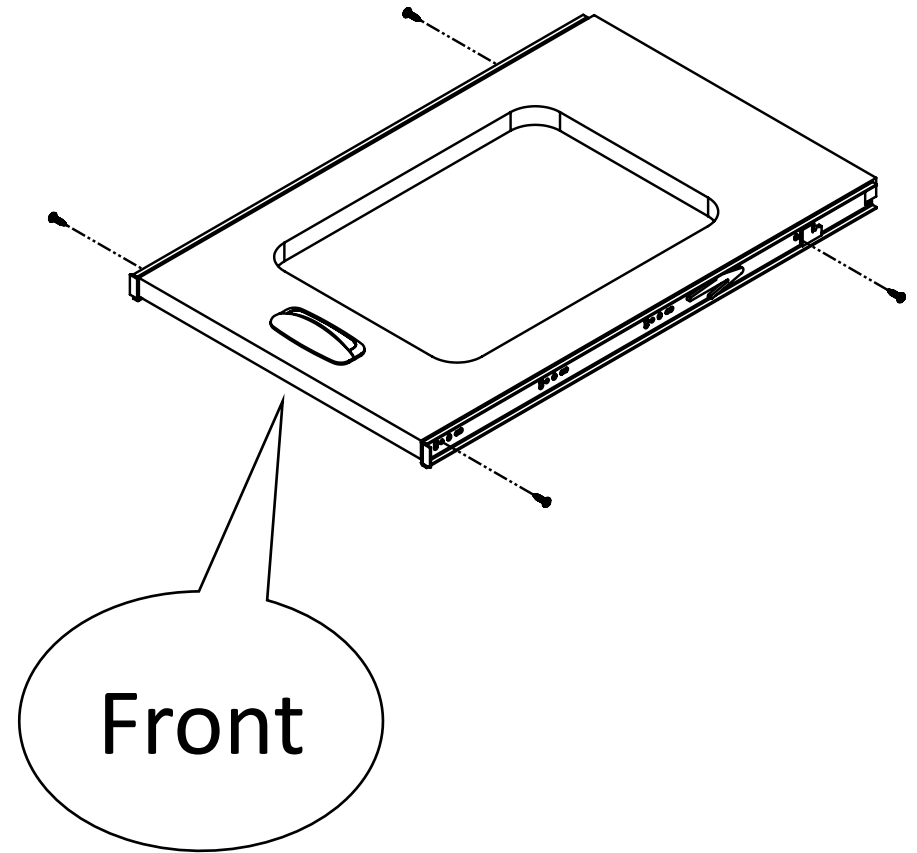


Insert **Handle** (H12) into slot in **Shelf** and secure with two **Installation Screws** (H11)

STEP 3

REQUIRES

4 x Installation Screws (H11)
2 x Runner Members (A)
Drill



Front

Attach **Smaller Runner Members** (A) to sides of **Shelf**. The tabs on the end of the runner should be flush with the front of the **Shelf**.

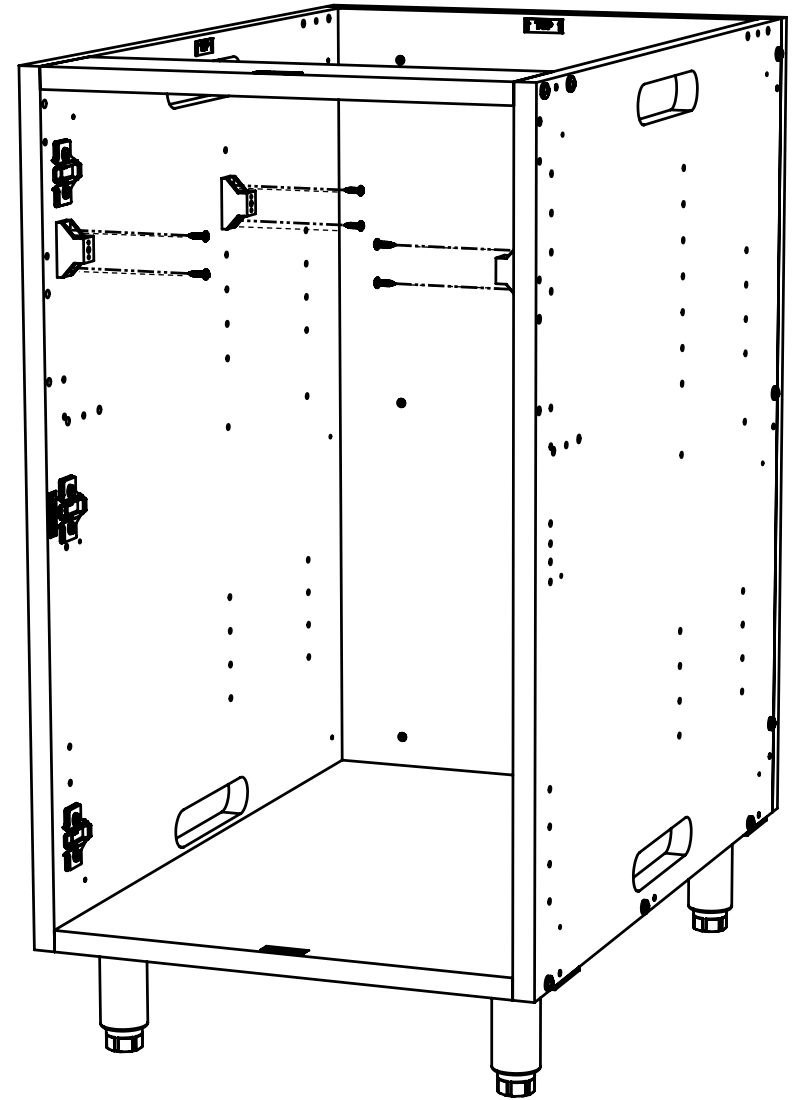
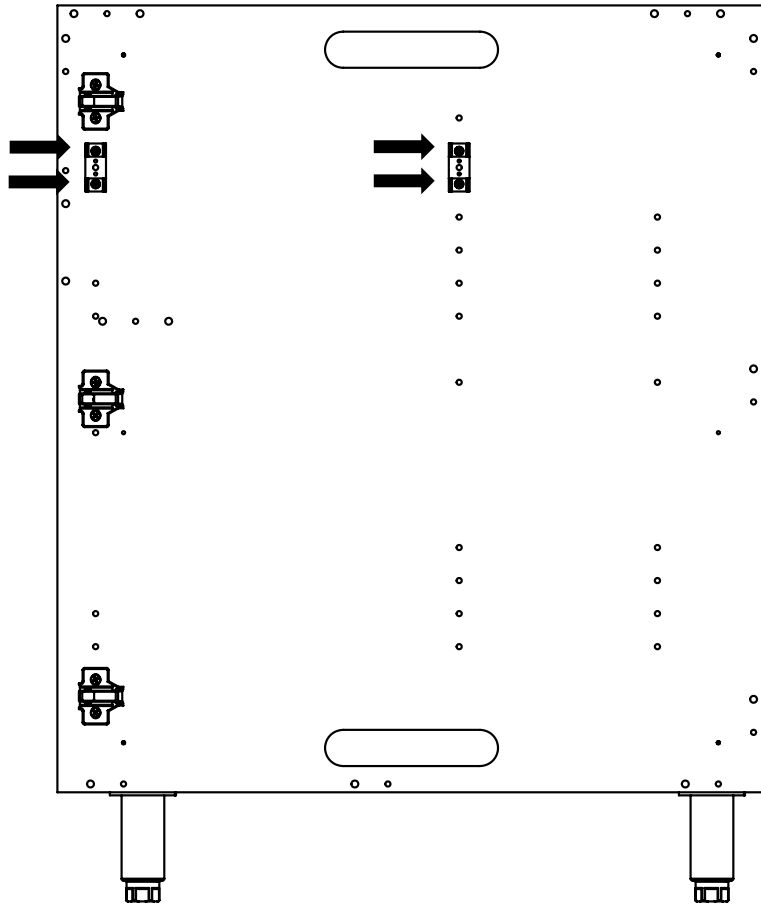
STEP 4

REQUIRES

8 x Euro Screws (H14)

4 x Spacer (H15)

Drill

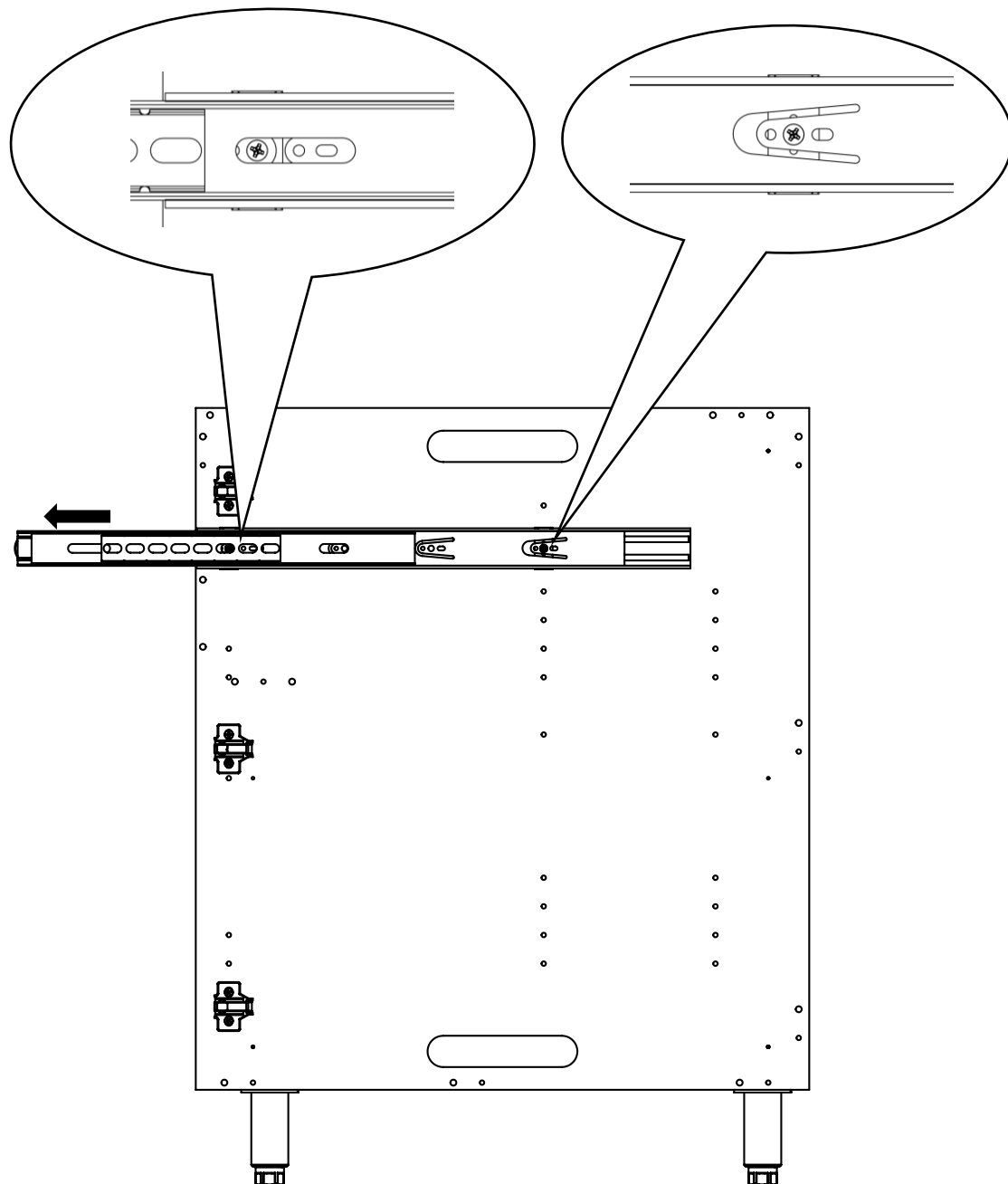
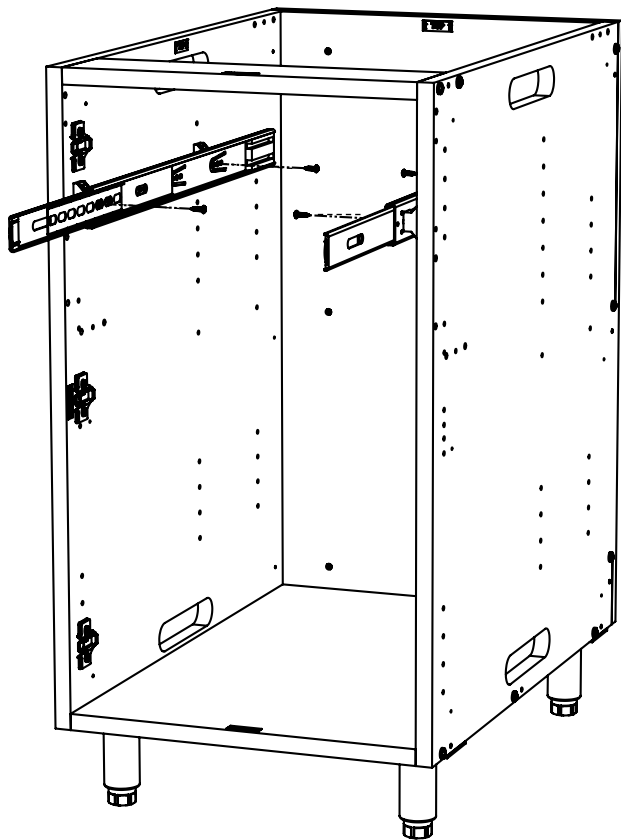


Install two **Spacers** (H15) on each End Panel just below the upper hinge plate, as shown, using two **Euro Screws** (H14) per **Spacer**. For ease of access, we recommend removing the cabinet door before installing the pullout.

STEP 5

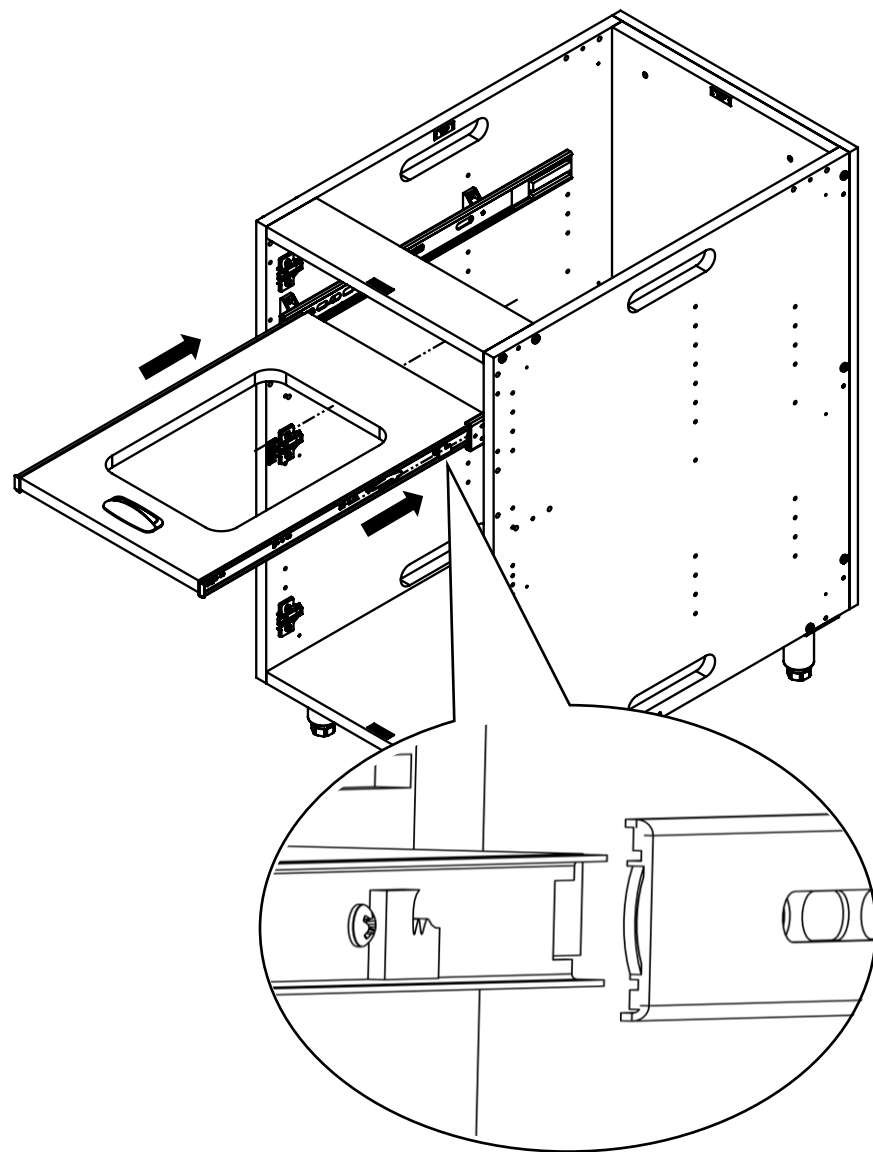
REQUIRES

- 4 x Euro Screws (H14)
- 2 x Runner Members (B)
- Drill



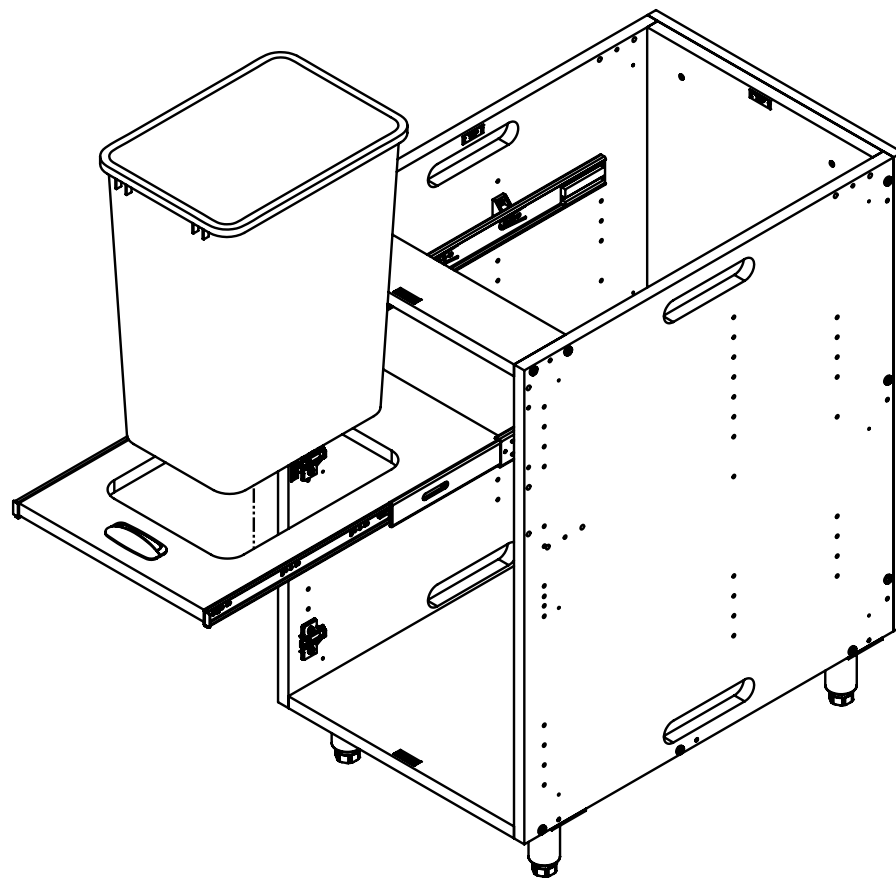
Attach the **Larger Runner Members (B)** to the **Spacers (H15)** using two **Euro Screws (H14)** per runner. To access the attachment holes, you will need to extend the runner mechanism, as shown.

STEP 6



Carefully slide the **Shelf** into the **Larger Runner Members** (B) by inserting the **Smaller Runner Members** (A) into the plastic guides at the front of the larger members. You should hear a 'click' when fully inserted.

STEP 7



Place the **Trash Can** into the hole in the shelf and slide into the cabinet.