

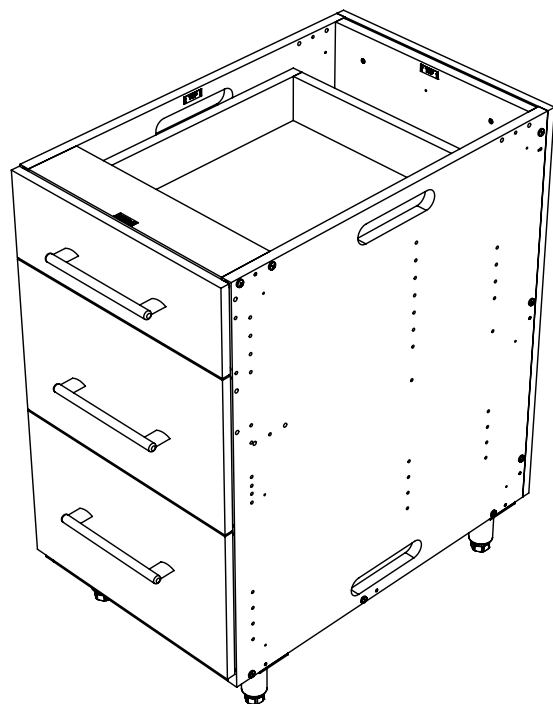
Assembly Instructions – B3D1827 18" wide x 27" deep 3 Drawer Base Cabinet

18" 3 Drawer Base Cabinet

Requires:	Description:
1 – C1	18" wide Base Cabinet Panel Kit
1 – D4	Drawer Front & Back Panel Pack - HDPE
1 - E1	Cabinet End Panel Pack - 1-Pair
1 – K4	Assembly Hardware & Legs Kit 04
3-P4	Standard 18" Drawer Kit



For assistance visit
Weatherstrong.com
888-845-0004



Before you start assembly, inspect all panels and hardware to ensure nothing is damaged and that you have everything required.

We recommend laying the components on provided packaging to protect the finish when assembling.

Required Tools

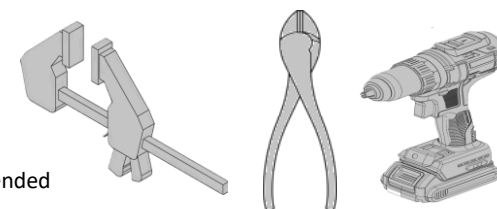
Electric Drill with Phillips and Square bit

Wire Cutters

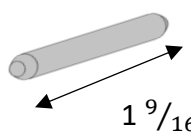
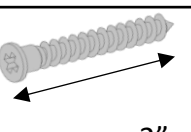
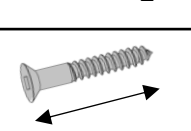
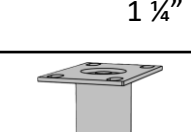
Tape Measure

2x C-Clamp

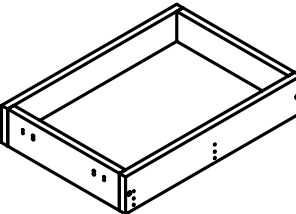
CAUTION : Safety glasses and gloves recommended




Hardware Kit K4

Picture	Qty	Item	Item ID
 1 9/16"	14	Locator Dowel	(H1)
 2"	16	Assembly Screw	(H2)
 1 1/4"	20	Attachment Screw	(H3)
	2	Cabinet Leg 2 PK	(H10)

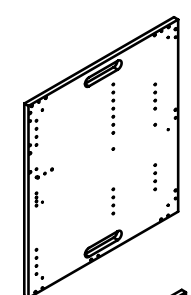
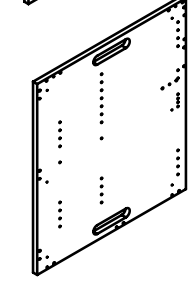
Cabinet Kit PACK P4 (Hardware Included)

 1 Drawer Box

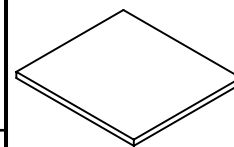

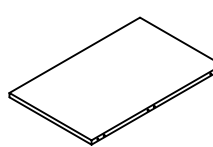
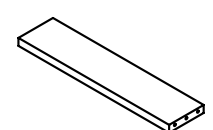
Hardware
See page 11 for details



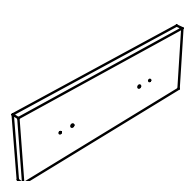
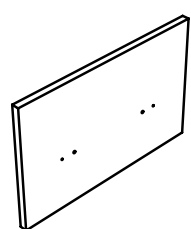
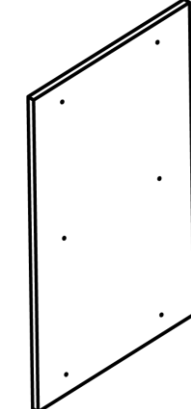
Cabinet Kit Pack E1

Picture	Qty	Item	Item ID
	1	End Panel Left	(L)
	1	End Panel Right	(R)

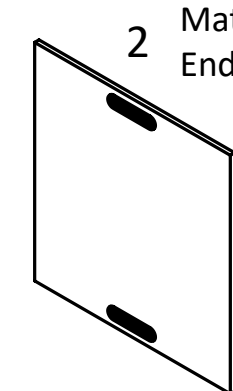
Cabinet Kit PACK C1

	2	Adjustable Shelf (Not used)	(A)
	1	Back Panel	(B)
	1	Fixed Shelf	(F)
	1	Top Rail	(C)

Finish Kit Pack D4

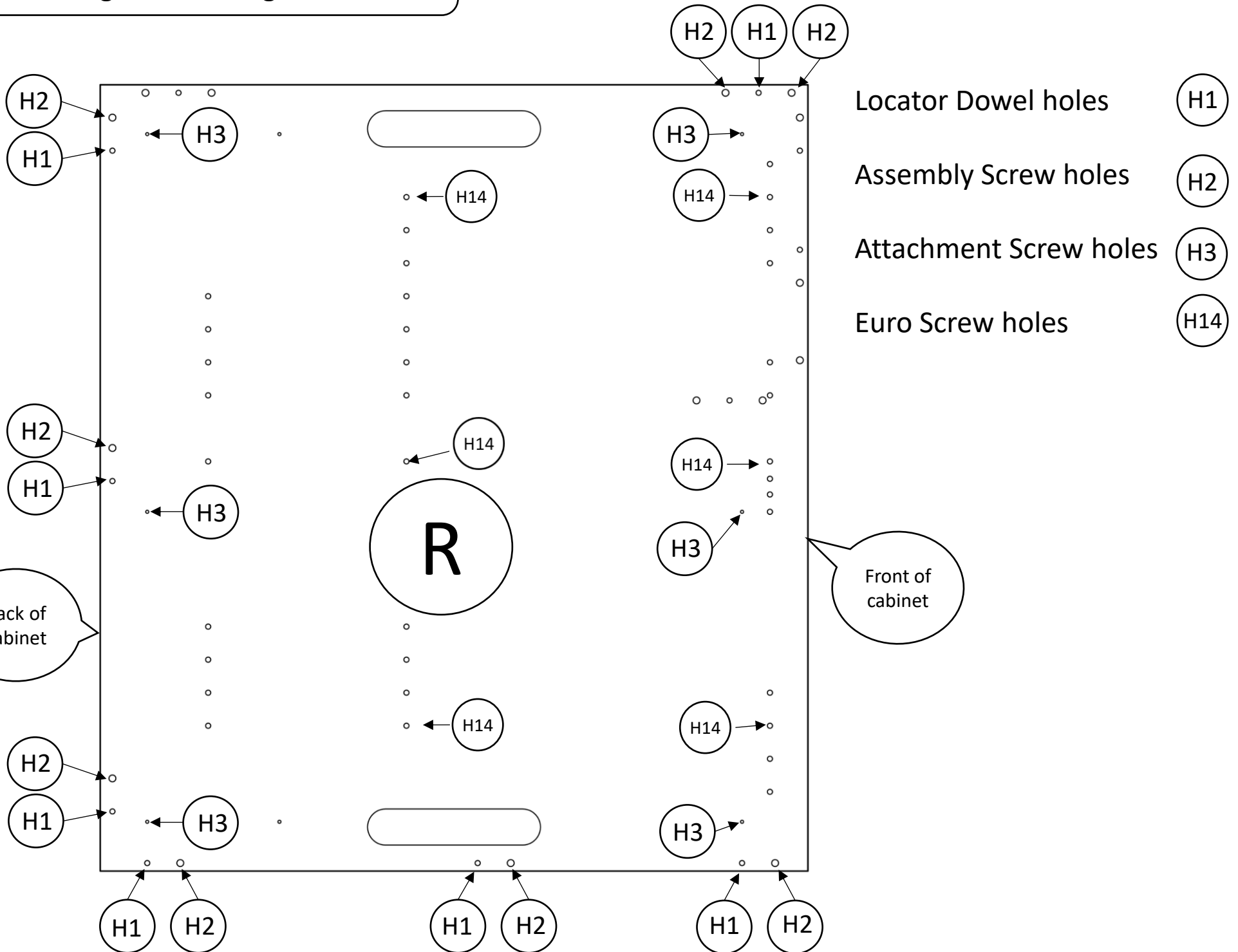
Picture	Qty	Item	Item ID
	1	Top Drawer Front	(A)
	2	Middle & Bottom Drawer Front	(B)
	1	Matching Back Panel	(C)

PACK B1 – (Optional)

	2	Matching End Panel	(P)
---	---	--------------------	-----

Hole Assignments: Pack E1

Hole Assignments – Right End Panel



Steps for a Successful Installation

1. Prepare the Site

- 1.1 Your outdoor kitchen should always be installed on a stable surface (patio/deck/balcony/rooftop) which should be as near to level as drainage requirements allow.
- 1.2 All cabinets come standard with adjustable stainless steel legs. However, in instances of extreme slope, or very large kitchens, footings may be needed to compensate if it falls out of the adjustable range of the legs.
- 1.3 Your kitchen has been designed to be freestanding and does not need to be affixed to the ground/wall. For extreme environments, such as high wind areas, we suggest that your kitchen be secured to an appropriate support structure. Please consult with your contractor/engineer for specifics.
- 1.4 Verify with your contractor/engineer to ensure that the surface is designed to support the weight of the kitchen.

2. Planning for Appliances

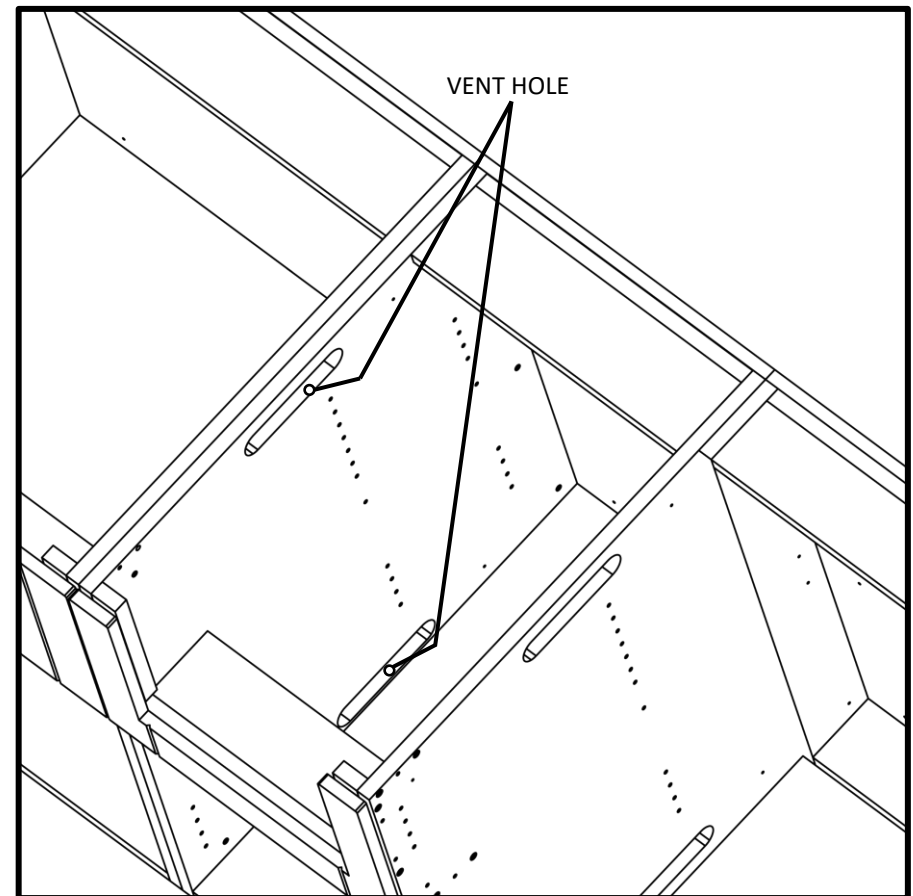
- 2.1 Your island cabinetry is made from weatherproof combustible materials and therefore, each gas appliance requires an insulated heat jacket. Check your specific island configuration for the necessary parts.
- 2.2 Please review the owner's manuals provided with your appliances before installation and ensure the hook-up is done by a licensed professional in accordance with local codes.



ATTENTION: WeatherStrong recommends using a licensed professional to handle all gas and electric connections.

3. Planning for Services (Gas/Electrical/Plumbing)

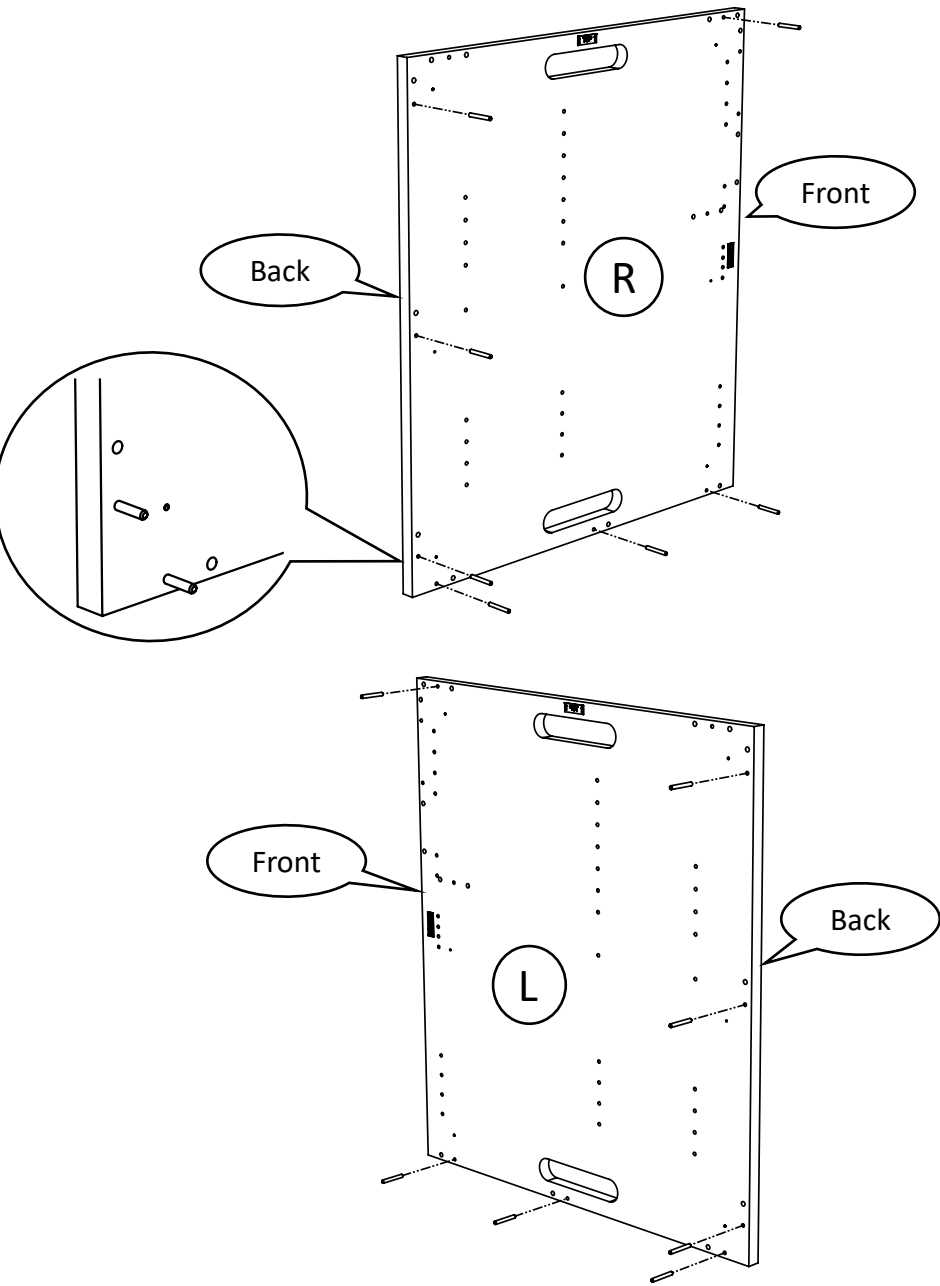
- 3.1 Vent holes are included in most cabinets to make service planning and implementation as easy as possible.
- 3.2 Local codes have specific requirements and restrictions for all services. Please ensure that planning and installation is performed by a locally licensed tradesperson.



STEP 1

REQUIRES

14 x Dowels (H1)

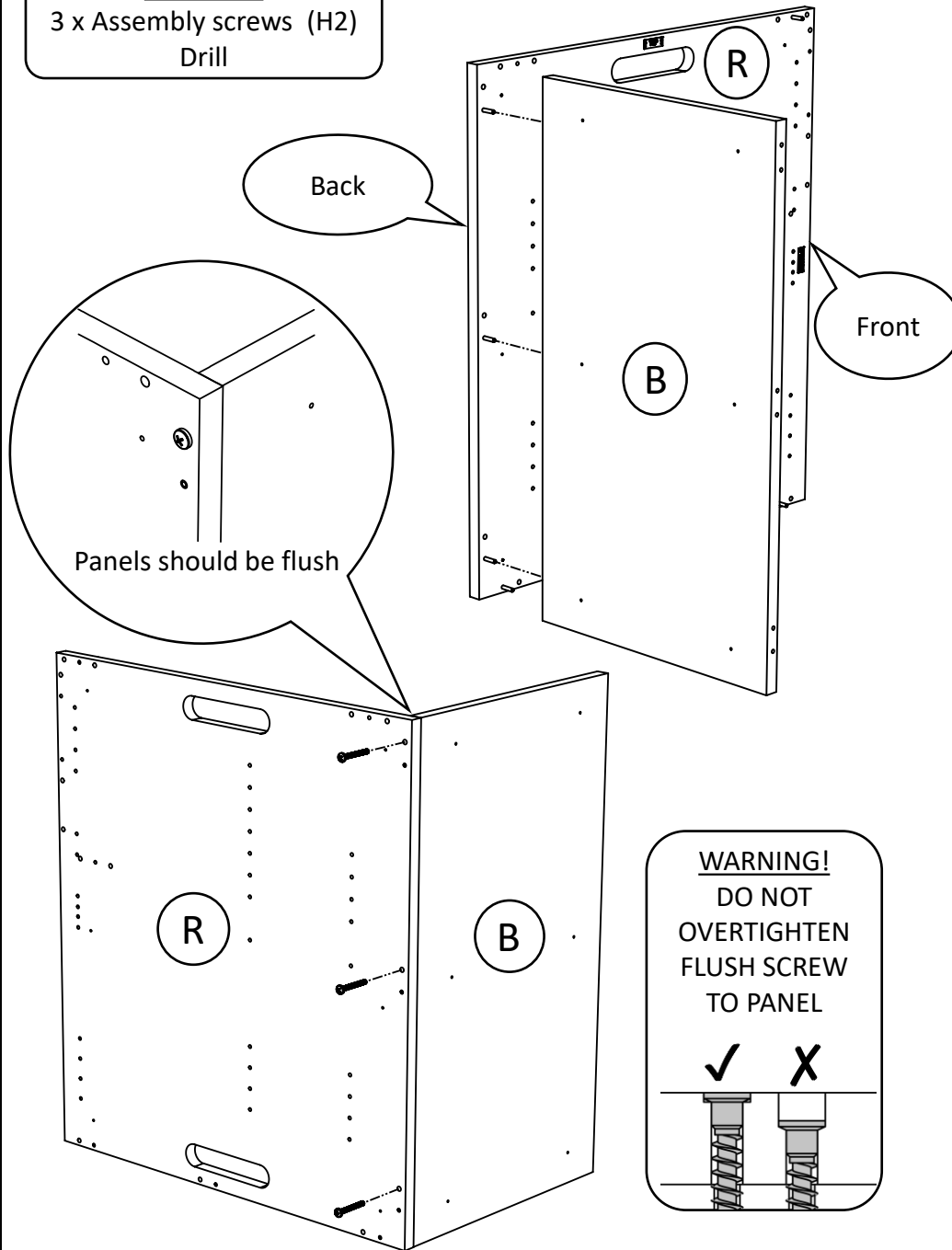


Lay **Panel (R)** and **(L)** on a flat surface and insert **Locator Dowel (H1)** in the correct locator dowel holes. Reference pages 3 and 4.

STEP 2

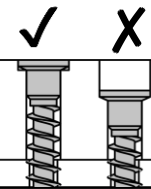
REQUIRES

3 x Assembly screws (H2)
Drill



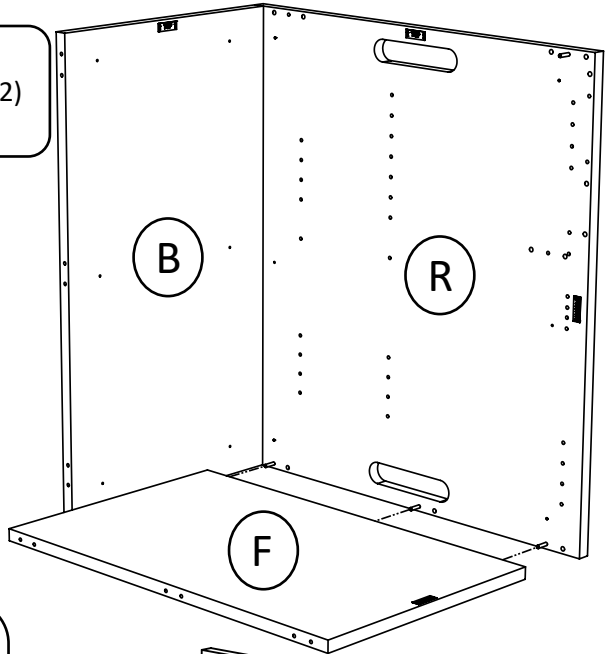
Insert the 3 **Locator Dowels** along the back edge of **Panel (R)** into the locator dowel holes on the side of **Panel (B)**. Using the drill and 3 **Assembly screws (H2)** screw **Panel (R)** to **Panel (B)**. If **Panel (B)** is not flush or inset with the edge of **Panel (R)** rotate **Panel (B)** 180 degrees.

WARNING!
DO NOT
OVERTIGHTEN
FLUSH SCREW
TO PANEL



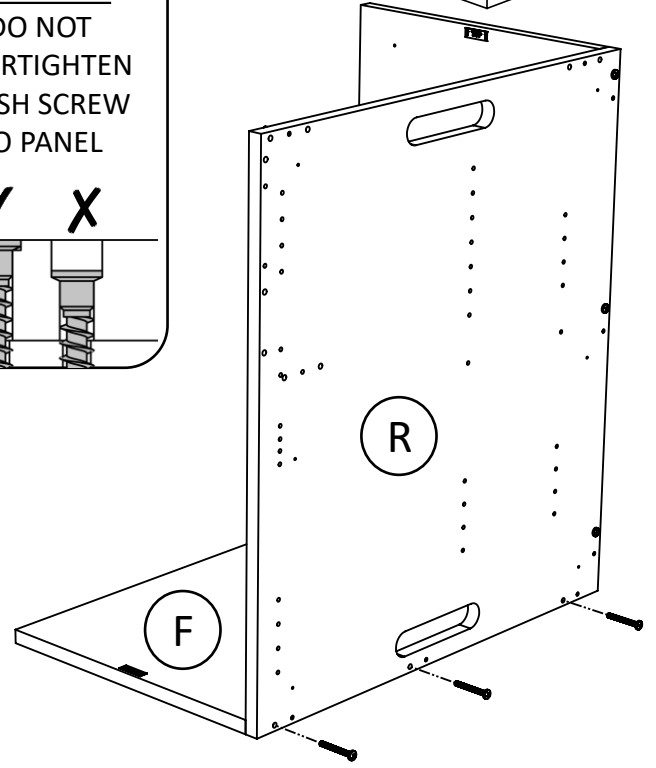
STEP 3

REQUIRES
 3 x Assembly screw (H2)
 Drill



WARNING!
 DO NOT
 OVERTIGHTEN
 FLUSH SCREW
 TO PANEL

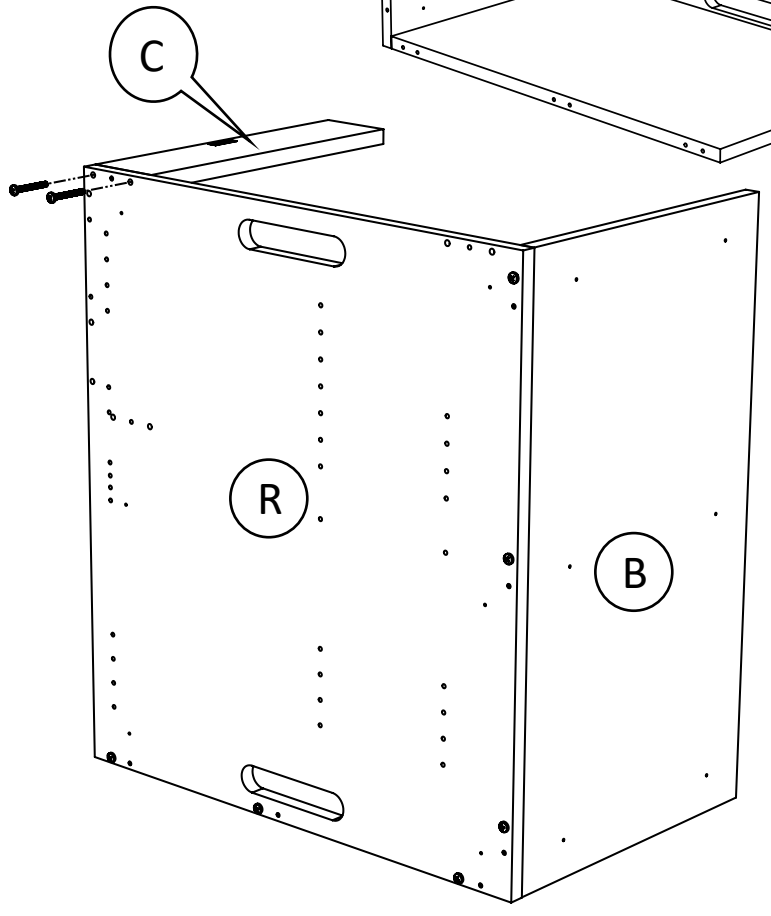
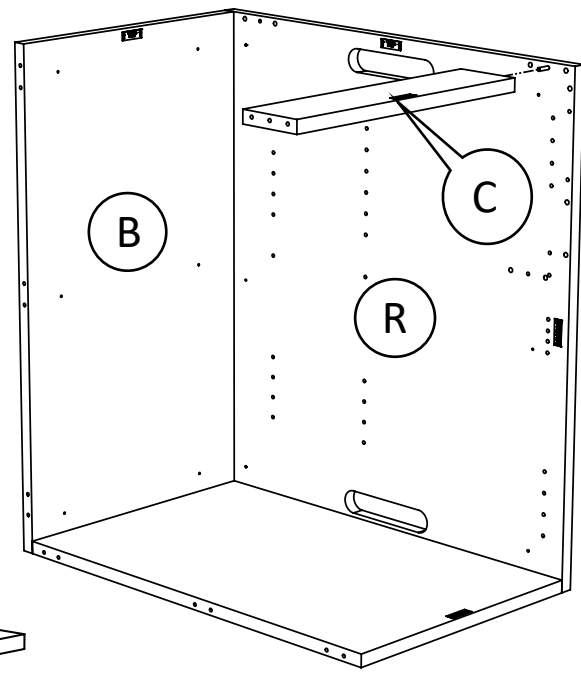
✓ X



Insert the 3 **Locator Dowels** on the bottom of **Panel (R)** into the locator dowel holes on the side of **Panel (F)**. Using the drill and 3 **Assembly screws (H2)** screw **Panel (R)** to **Panel (F)**.

STEP 4

REQUIRES
 2 x Assembly screws (H2)
 Drill



Insert the **Locator Dowel (H1)** on the top right of **Panel (R)** into the dowel hole on **Panel (C)**. Using the drill and 2 **Assembly screws (H2)** screw **Panel (R)** to **Panel (C)**.

STEP 5

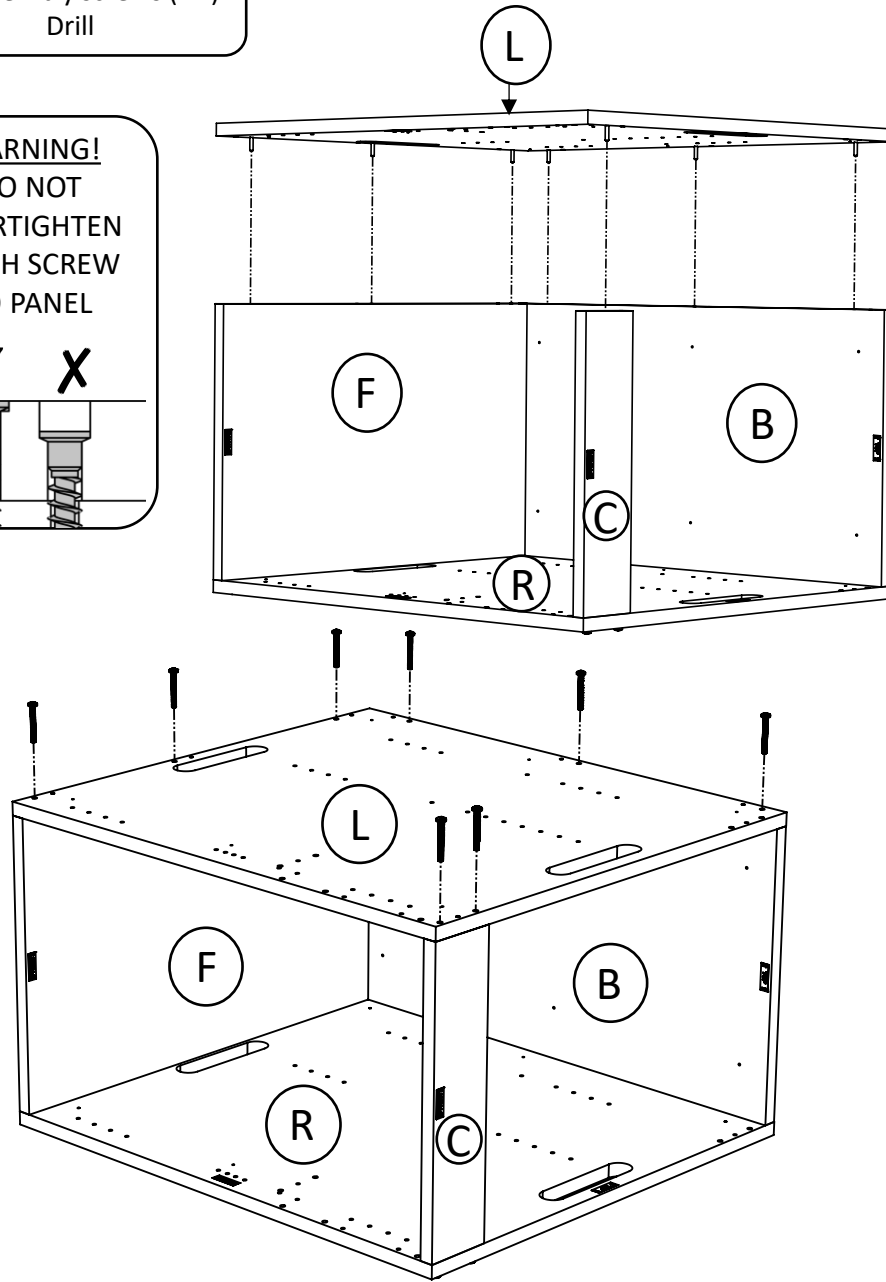
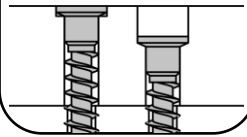
REQUIRES

8 x Assembly screws (H2)
Drill

WARNING!

DO NOT
OVERTIGHTEN
FLUSH SCREW
TO PANEL

✓ X

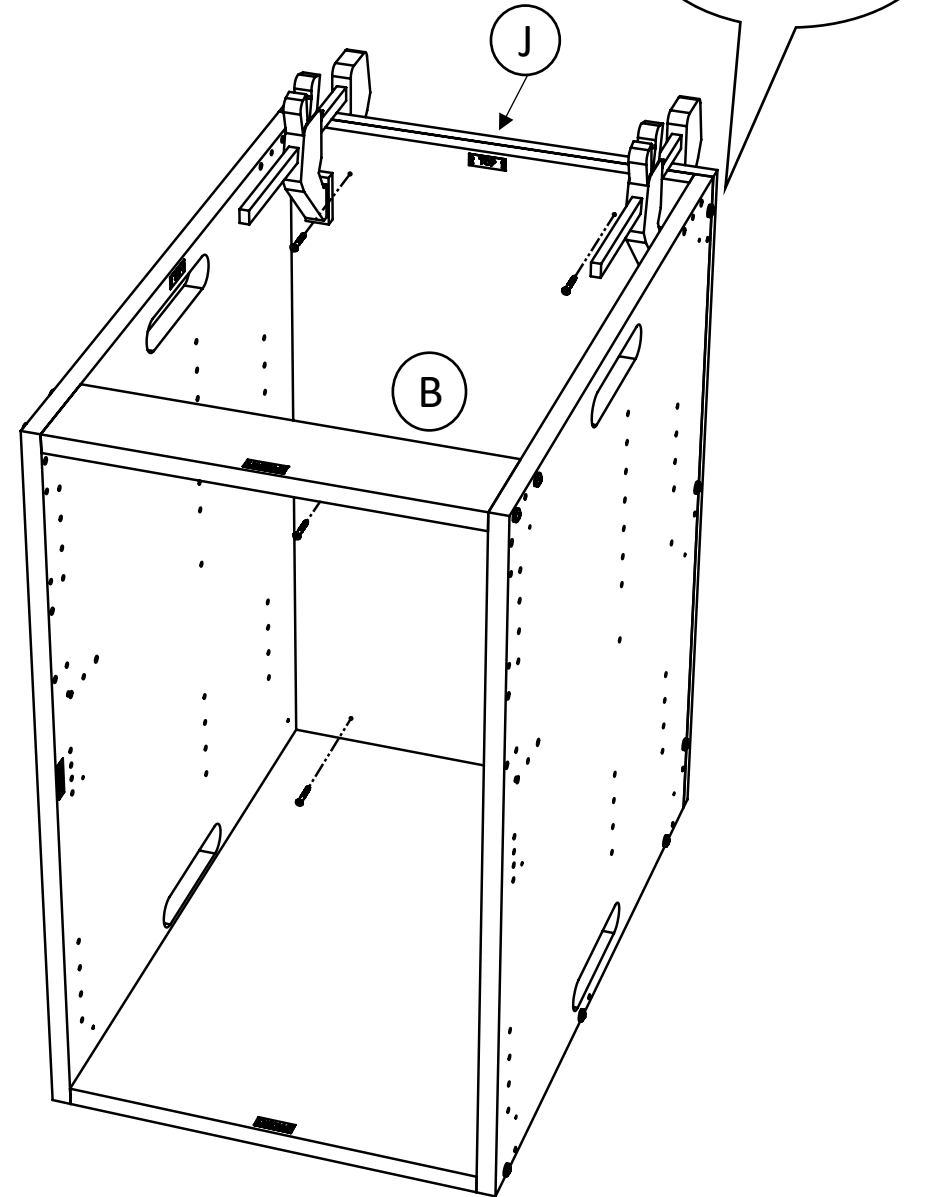


Insert the Locator Dowels on **Panel (L)** into the locator dowel holes on the sides of **Panels (F), (C), and (B)**. Using the drill and 8 **Assembly Screws (H2)** screw **Panel (L)** to **Panels (F), (C), and (B)**.

STEP 6

REQUIRES

6 x Attachment Screws (H3)
Drill



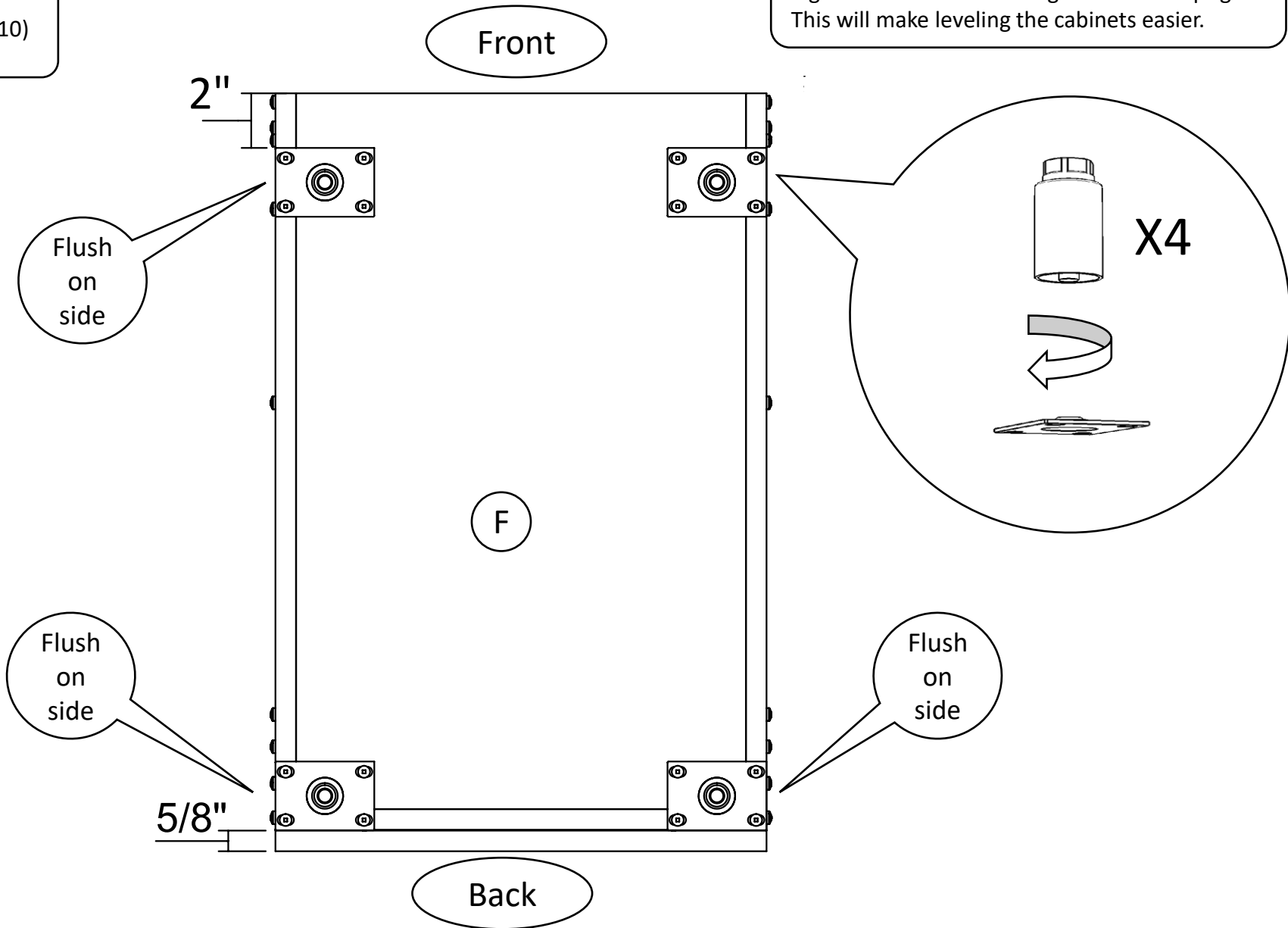
Align **Panel (J)** with the back of the cabinet, ensure sides of **Panel (J)** are flush with sides of the cabinet. Using the Drill and 6 **Attachment Screws (H3)** attach **Panel (B)** to **Panel (J)**.

STEP 7

REQUIRES

- 2 x Cabinet Leg packs (H10)
- Drill

Pro Tip: Make sure the adjustable end of each leg is loose before standing the cabinet upright. This will make leveling the cabinets easier.



Cabinet Leg Pack (H10) consists of 2 cabinet legs, 2 cabinet leg plates and 8 screws. Screw front cabinet leg plates onto the cabinet 2 inches from the front, and flush to the sides. Screw back cabinet leg plates onto the cabinet 5/8 of an inch from the back and flush to the sides. Now, screw on the 4 adjustable legs.

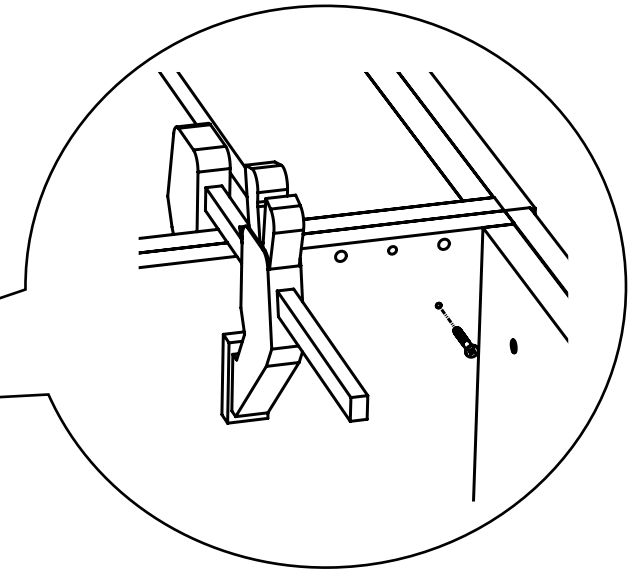
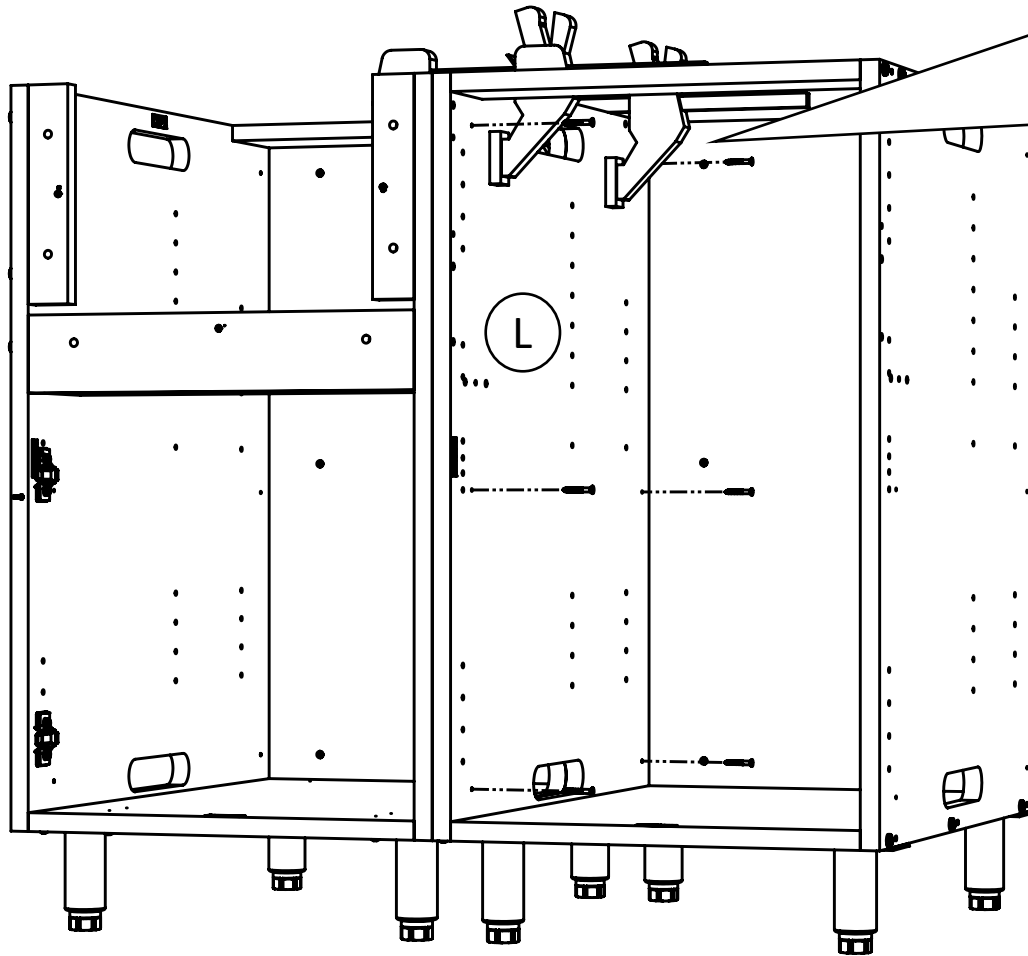
STEP 8 (Depends on location of cabinet)

REQUIRES

6 x Attachment Screws (H3)

Drill

Option A: Joining Cabinets Together



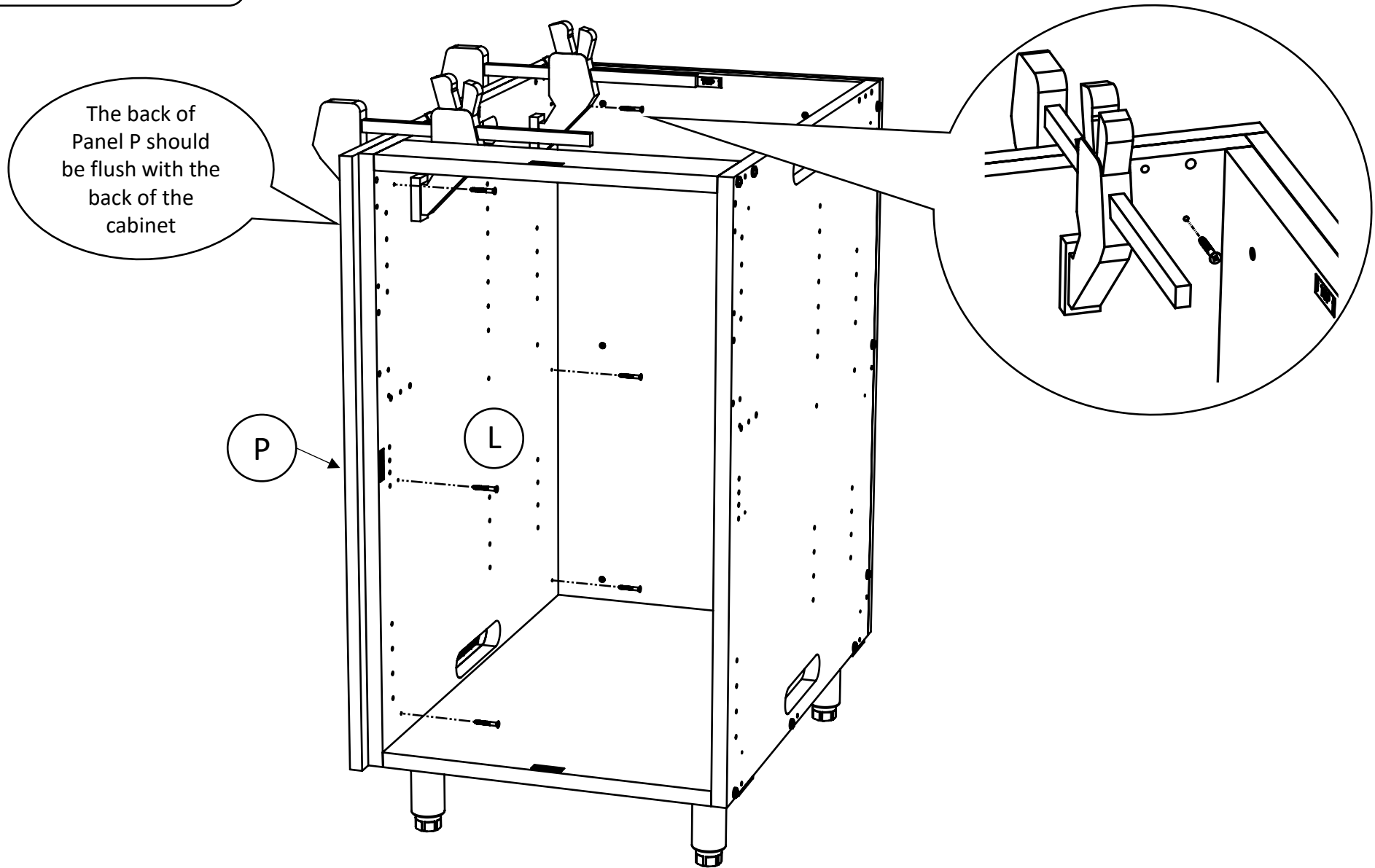
Option A: Screwing Cabinets Together – align the **Attachment Screw** holes in each cabinet and using the Drill and 6 **Attachment Screws** (H3) screw the cabinets together. C-clamps are recommended to secure the **Panels** together while attaching.

STEP 9 (Depends on location of cabinet)

REQUIRES

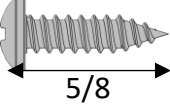

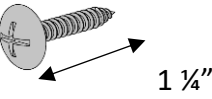
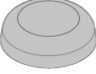

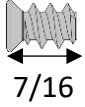
6 x Attachment Screws (H3)
Drill

Option B: Applying A Finished End



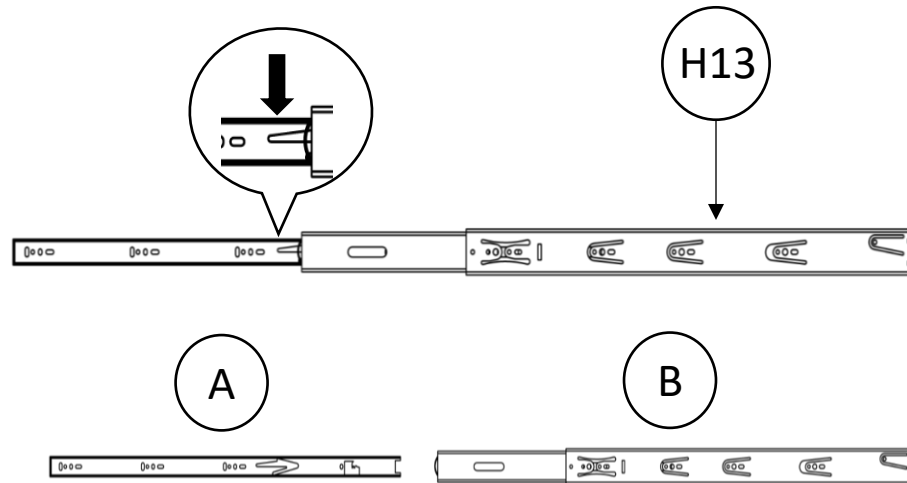
Option B: Applying Finished End – align **Panel (P)** to **Panel (L)** or **Panel (R)**, ensure **Panel (P)** is flush to the back of **Panel (J)**. Using the **Drill** and 6 **Attachment Screws (H3)** screw **Panel (L)** or **(R)** to **Panel (P)**. You may wish to use a C-clamp to secure panels in place while attaching. The back edge of **Finished End (P)** should be flush with Panel (J). The front edge will protrude in front of the cabinet until the doors are installed.

Hardware that comes with Cabinet Kit Pack P4

Picture	Qty	Item	Item ID
	4	Drawer Installation Screw	H11
	2	Drawer Runner	H13
	2	Drawer Front Screw	H8
	4	Door Bumper	H7
	1	Door Handle Kit	H9
	4	Euro Screw	H14

STEP 10

REQUIRES
2 x Drawer Runner (H13)

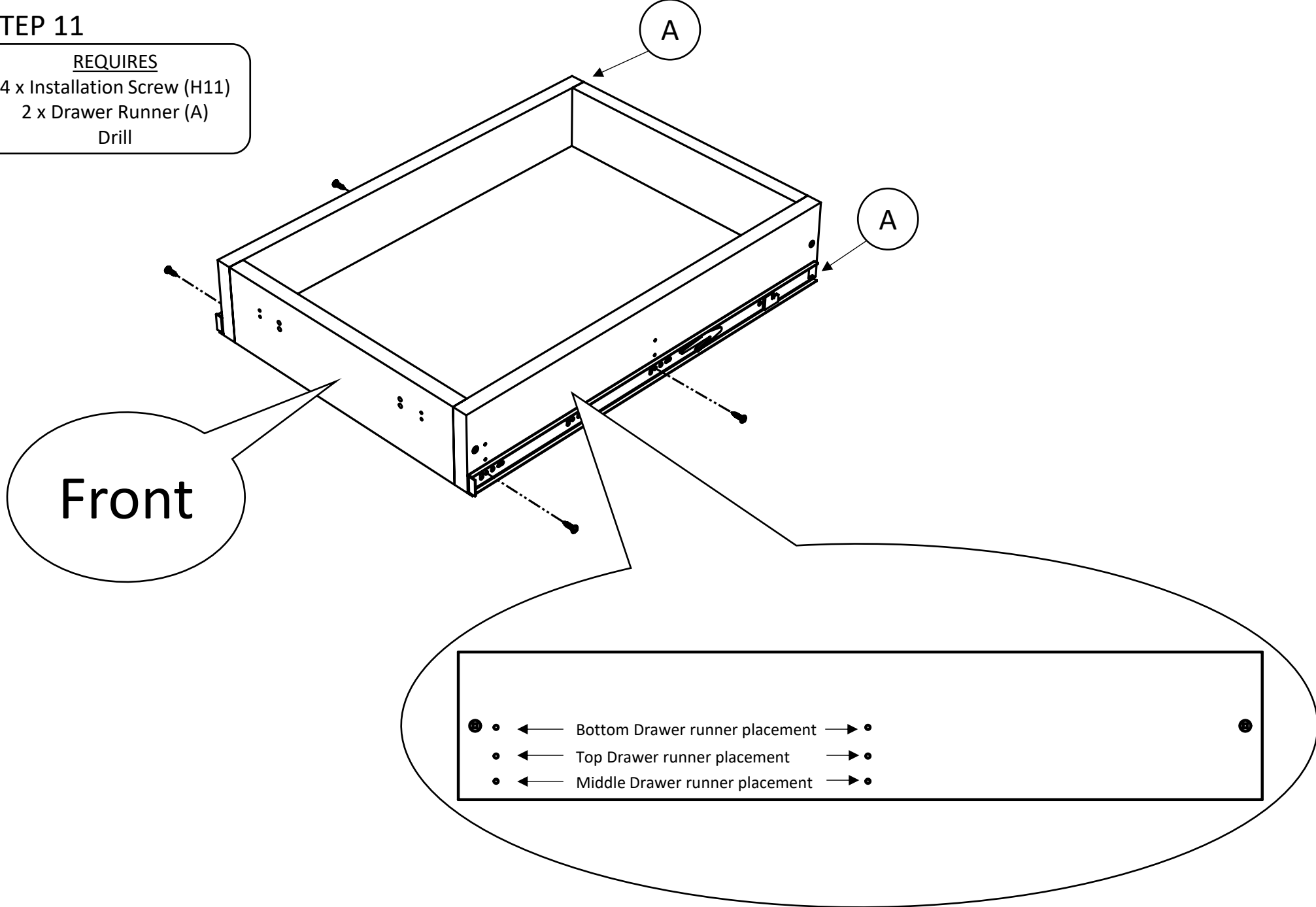


Remove **Drawer Runners** from packaging and extend the runners. While pressing down on the white tab pull **Smaller Runner Member (A)** apart from **Larger Runner Member (B)**.

STEP 11

REQUIRES

- 4 x Installation Screw (H11)
- 2 x Drawer Runner (A)
- Drill



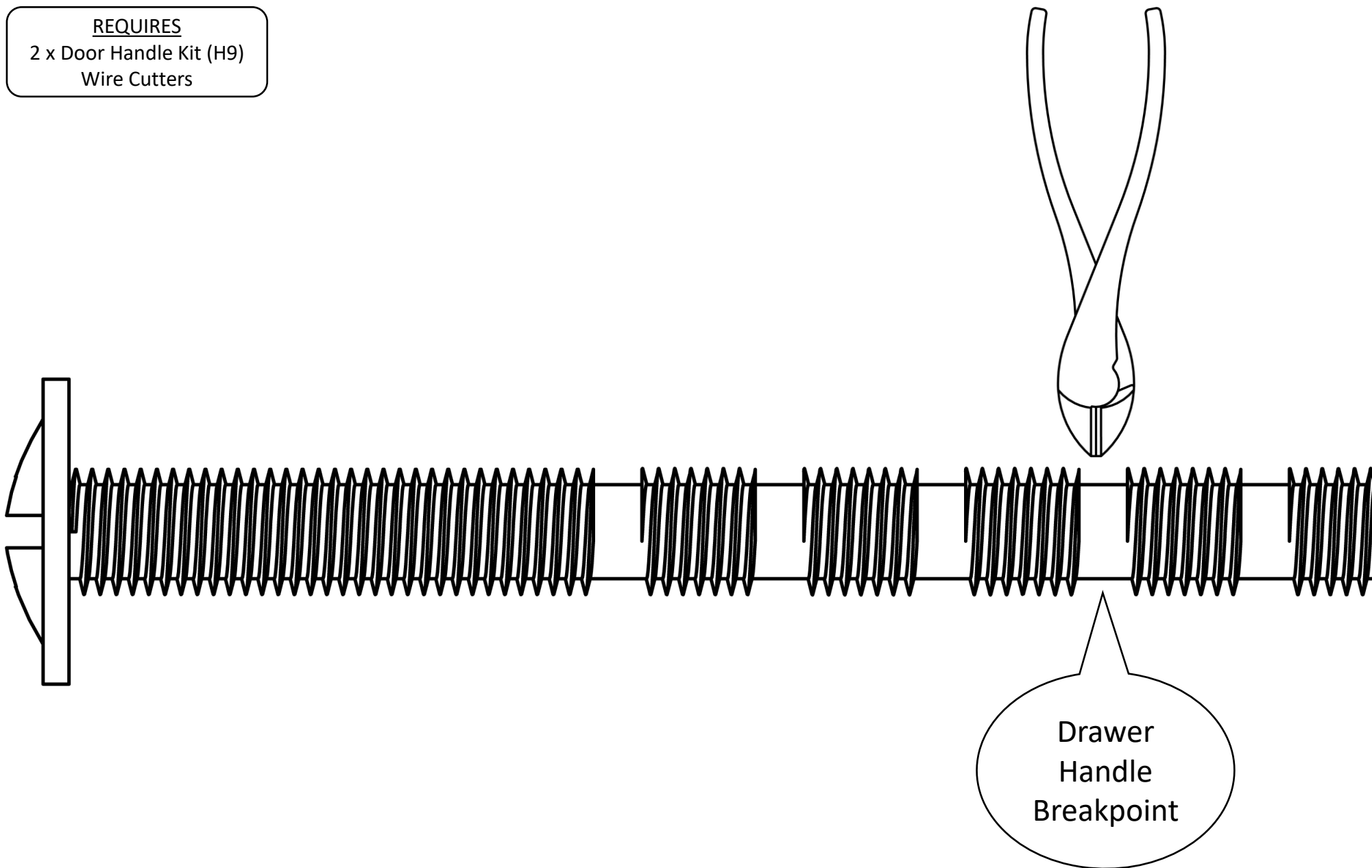
Attach the **Smaller Runner Members (A)** to **Drawer Box** with (4) **Installation Screws (H11)**. The tabs should be flush with the front of the box. Depending on the placement of the drawer box follow the guideline above for runner placement.

STEP 12

REQUIRES

2 x Door Handle Kit (H9)

Wire Cutters

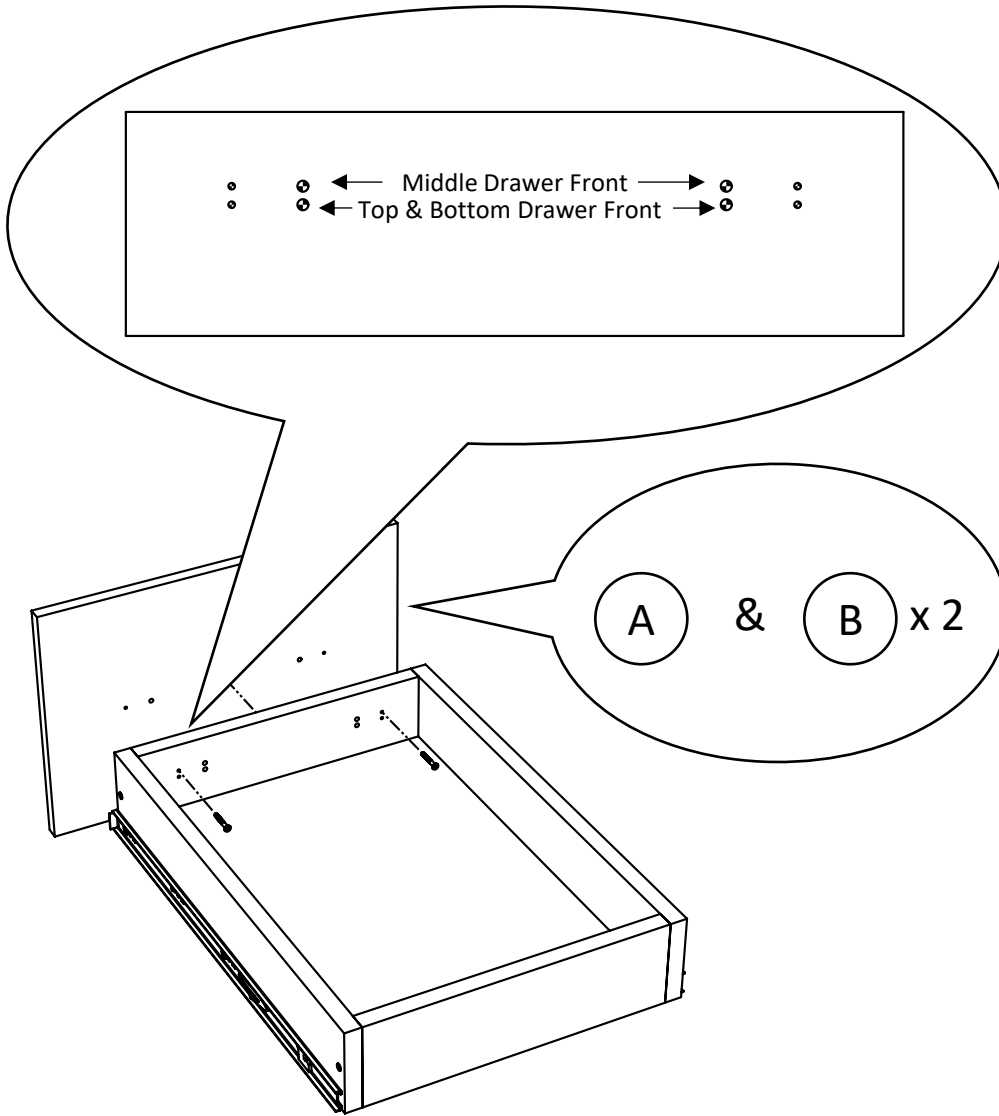


Use **Wire Cutters** or **Pliers** to cut the **Handle Screws** at the **Door Handle** break point

STEP 13

REQUIRES

2 x Drawer Front Screw (H8)
Drill

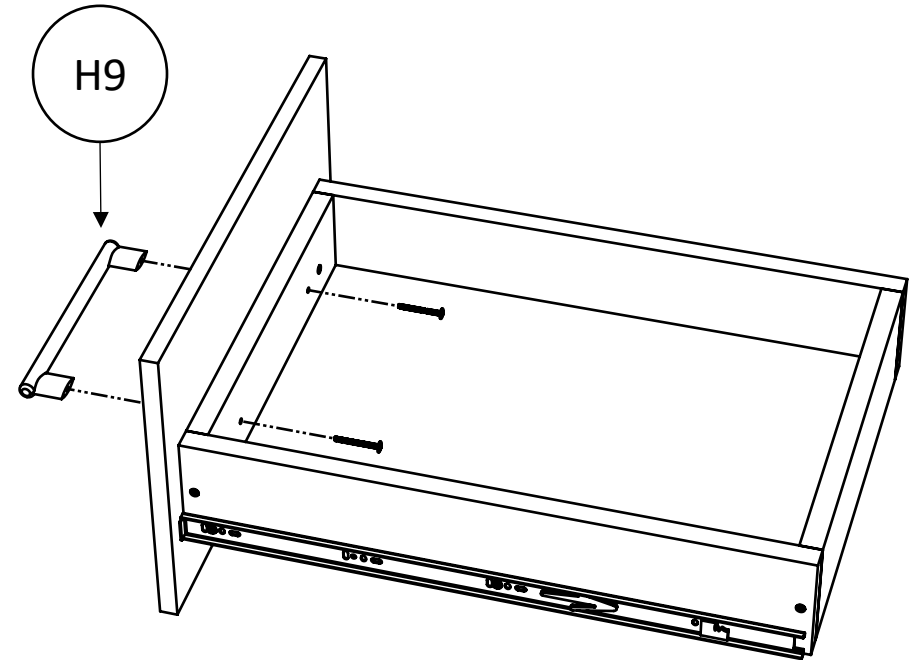


Using the drill and 2 Drawer Front Screw (H8) screw the drawer box to the Drawer Front. Follow the above hole pattern for the appropriate Drawer front.

STEP 14

REQUIRES

1 x Door Handle Kit (H9)

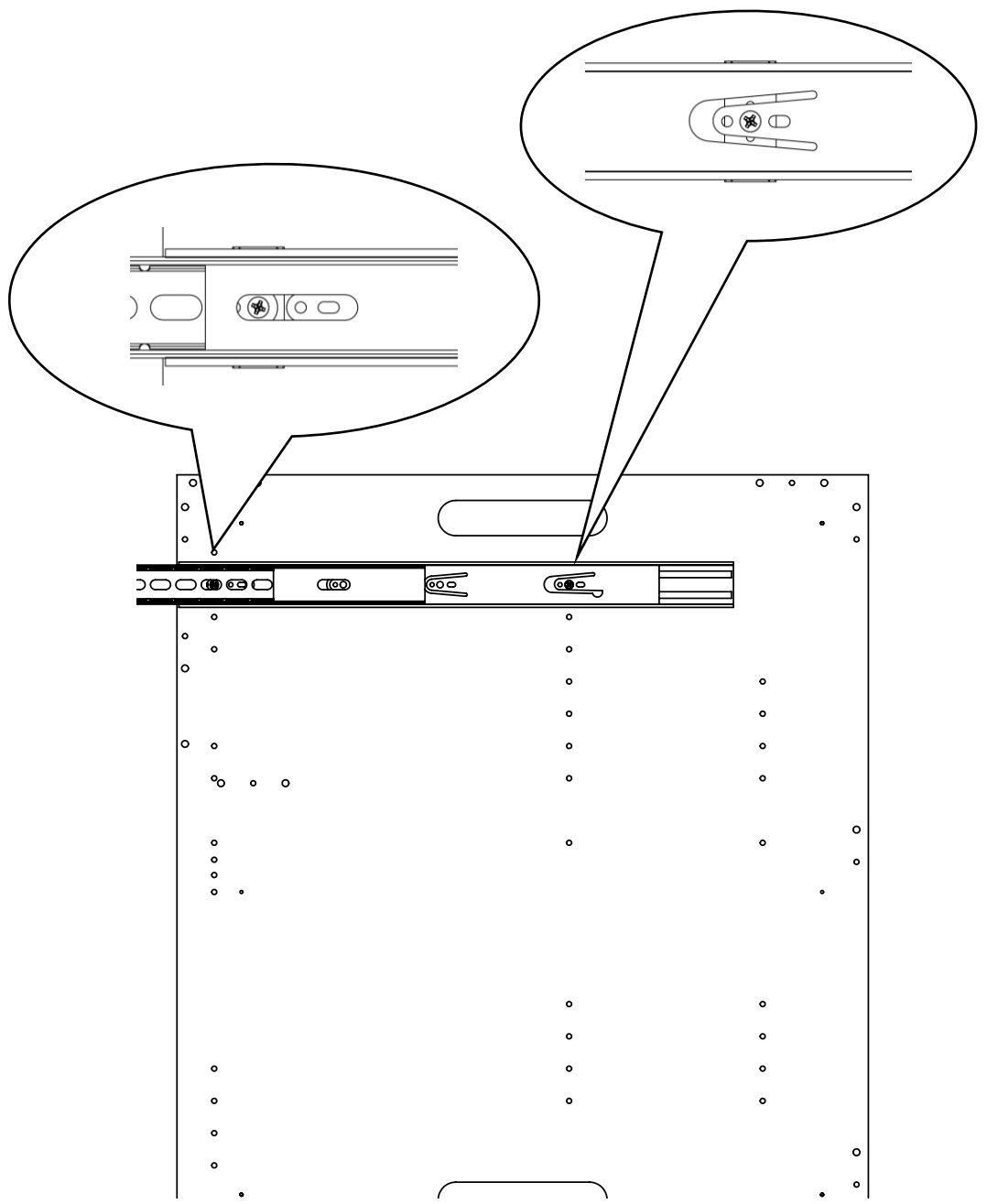
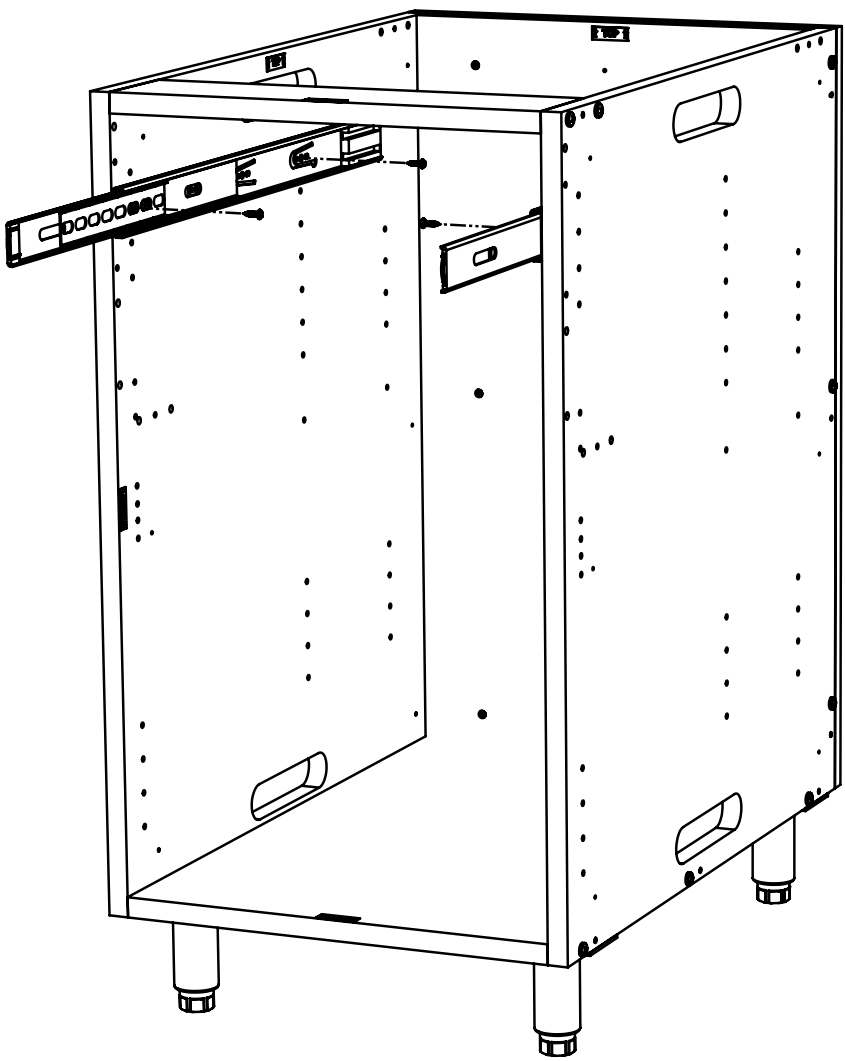


Use the screws that come with the Door Handle Kit (H9) to put the handle on.

STEP 15

REQUIRES

- 4 x Euro Screws (H14)
- 2 x Larger Runner Member (B)
- Drill

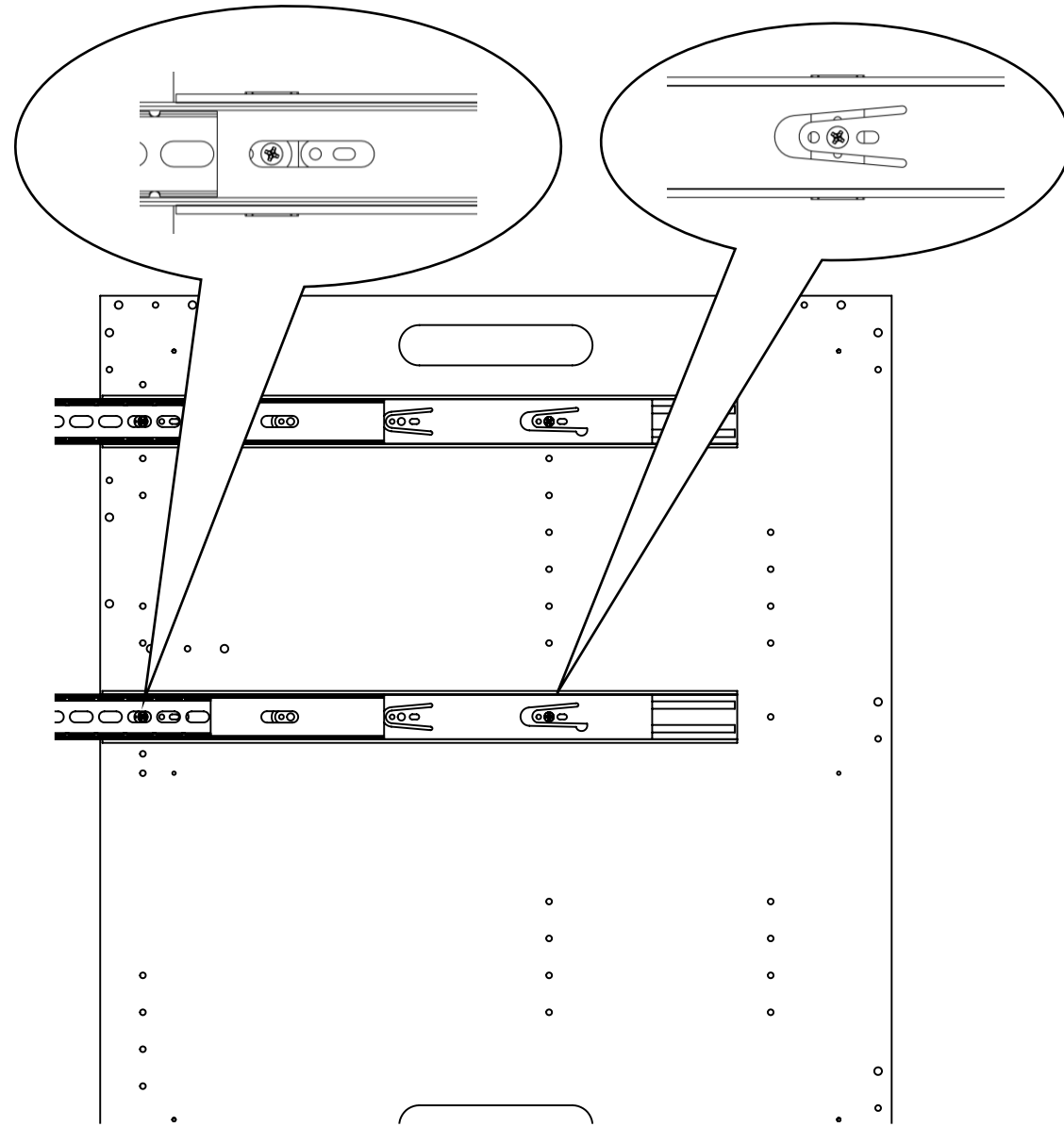
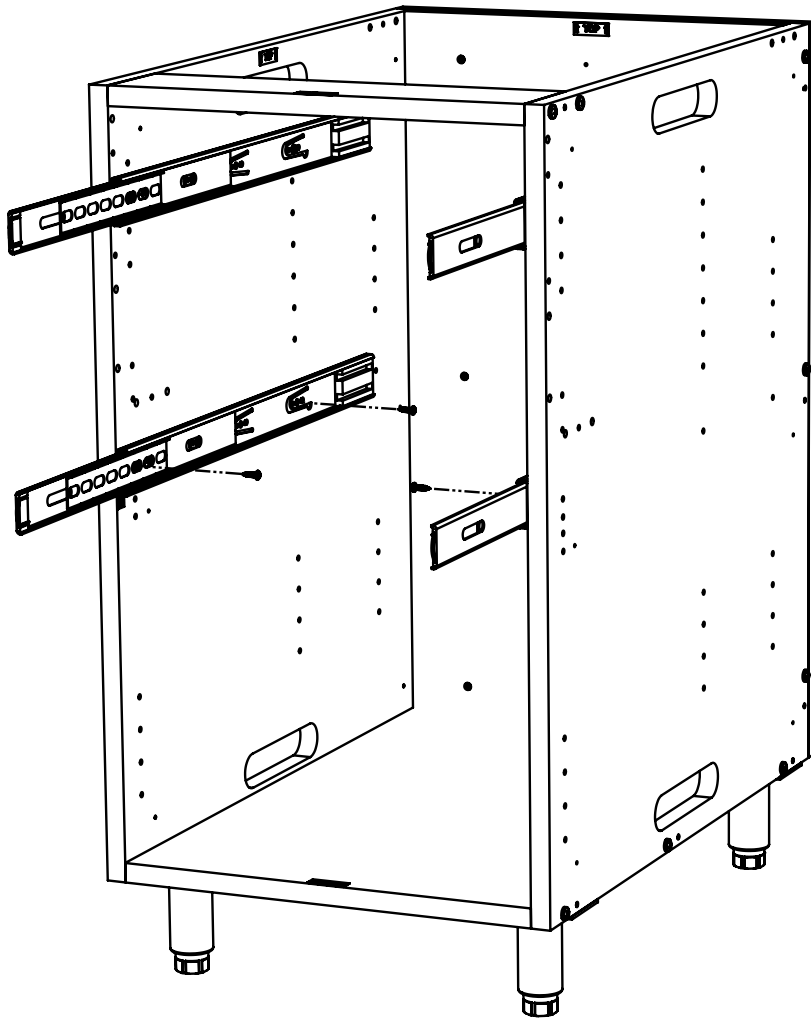


Using the drill and 4 Euro Screws (H14) to install two **Large Runner Members (B)**. You can reference page 3 and 4 for hole location.

STEP 16

REQUIRES

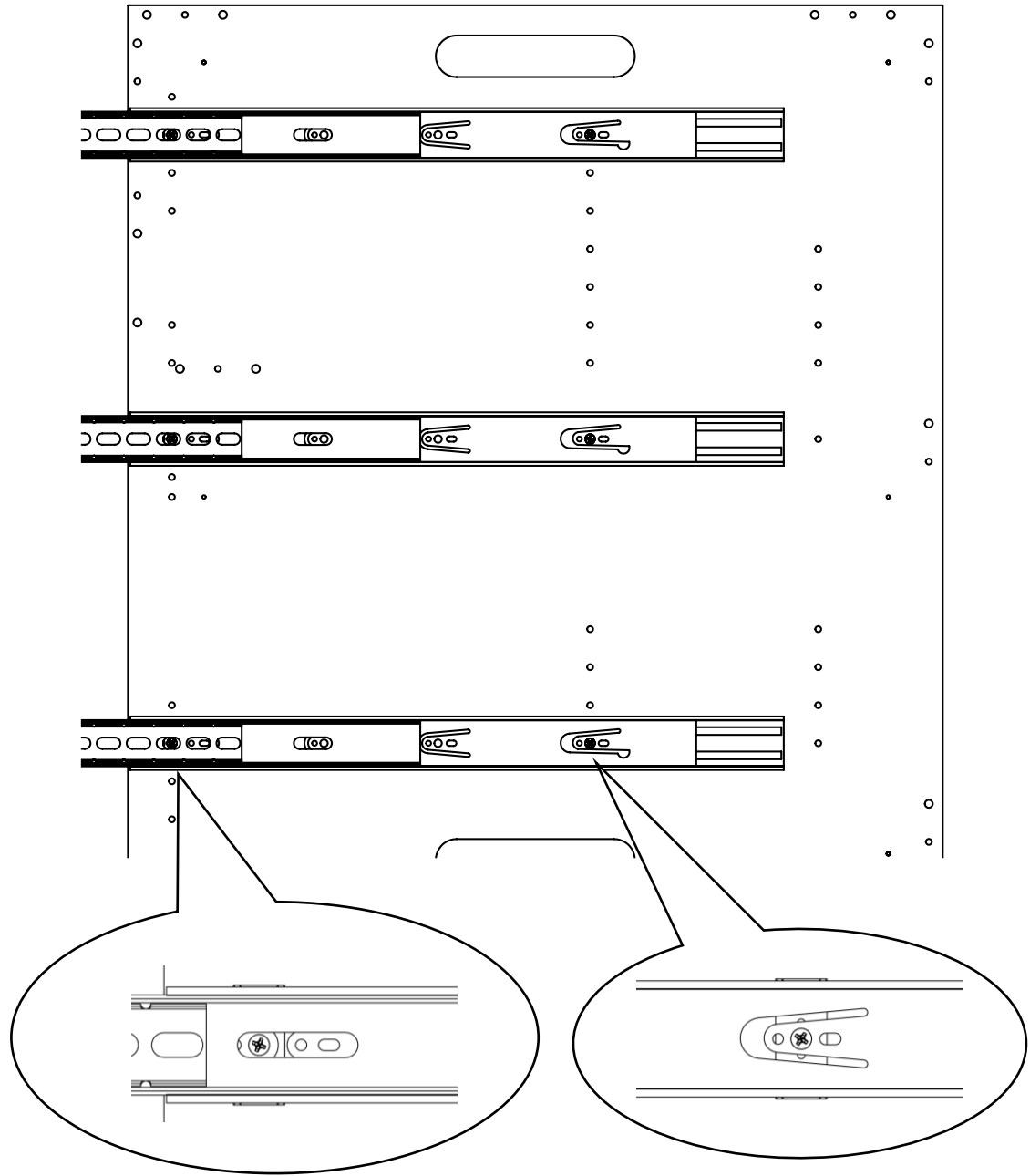
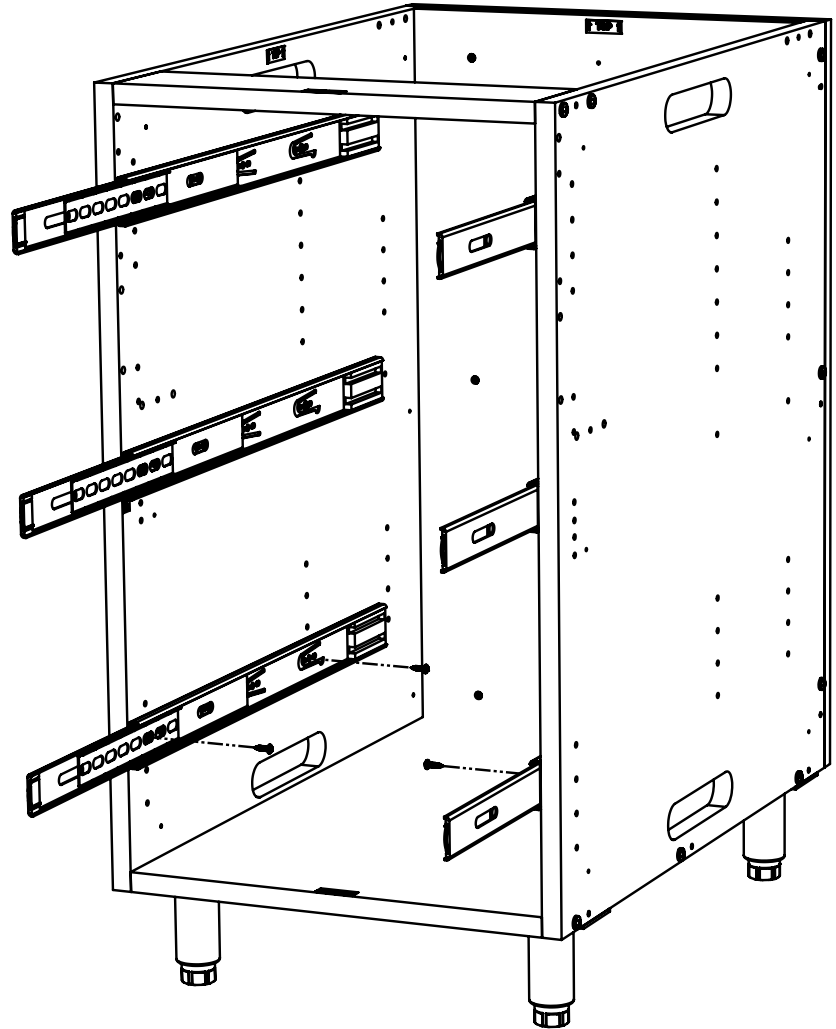
- 4 x Euro Screws (H14)
- 2 x Larger Runner Member (B)
- Drill



Using the drill and 4 Euro Screws (H14) to install two **Large Runner Members (B)**. You can reference page 3 and 4 for hole location.

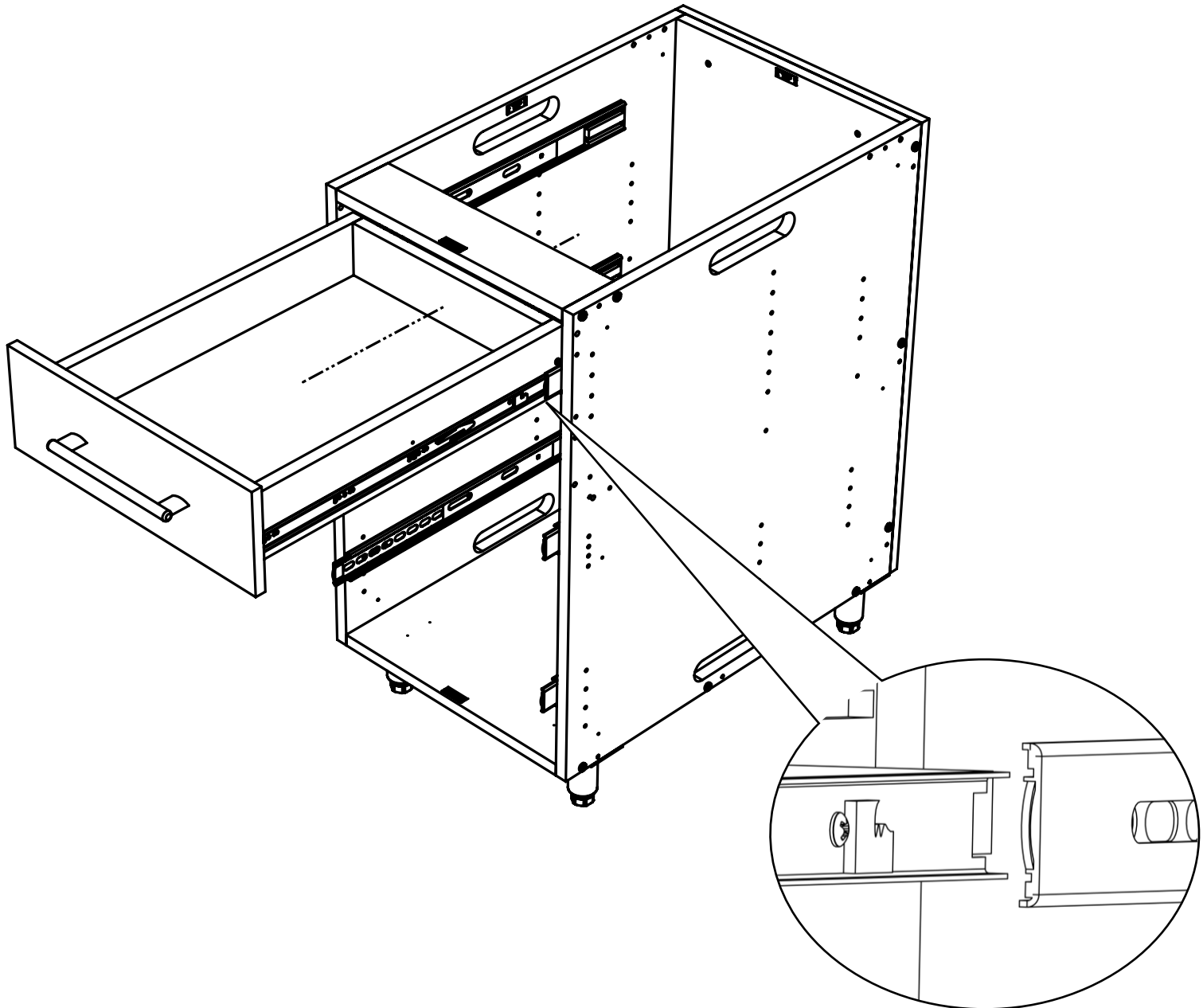
STEP 17

REQUIRES
4 x Euro Screws (H14)
2 x Larger Runner Member (B)
& Drill



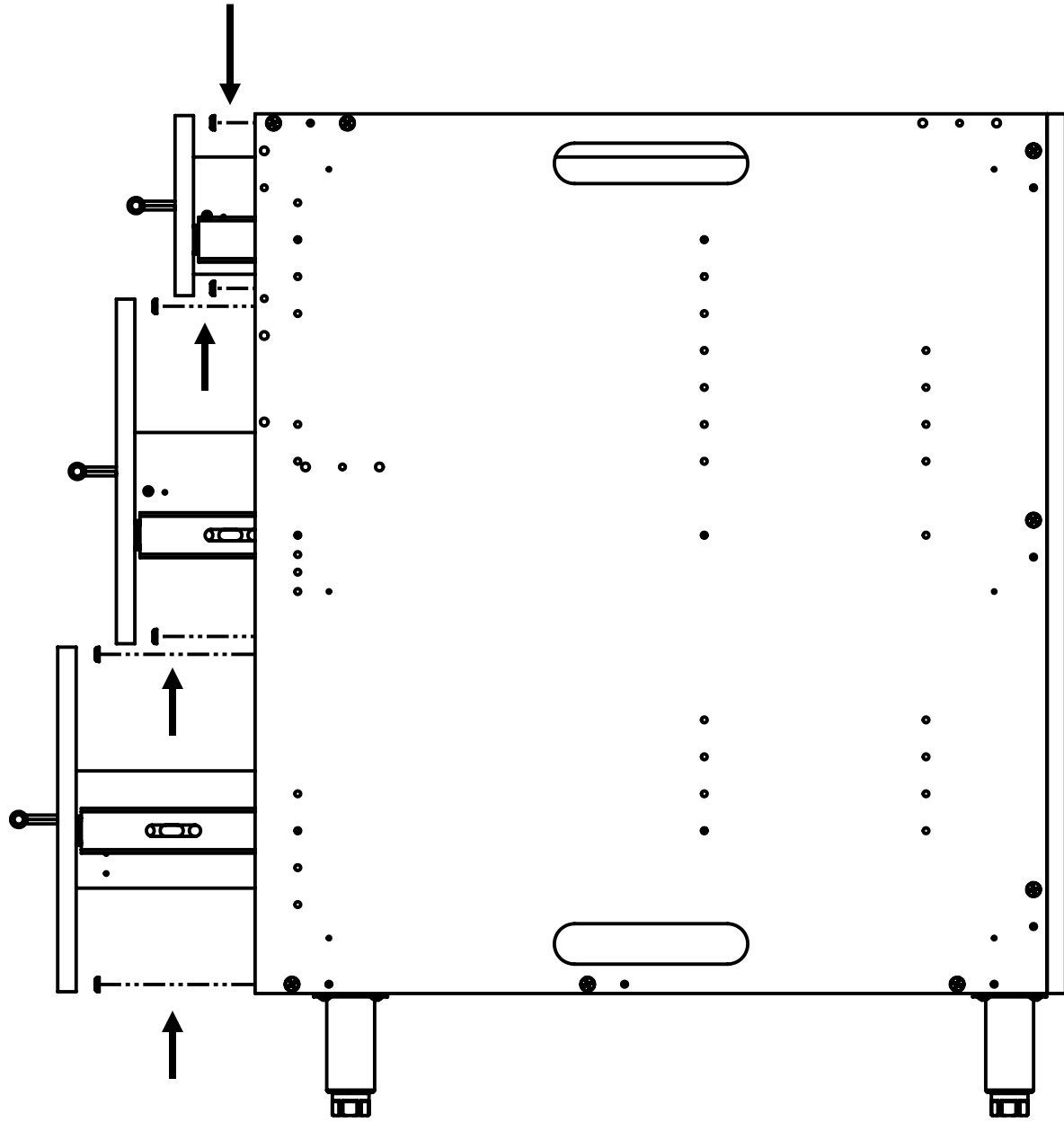
Using the drill and 4 Euro Screws (H14) to install two **Large Runner Members (B)**. You can reference page 3 and 4 for hole location.

STEP 18



Carefully slide the **Drawer Boxes** into the **Larger Runner Members (B)** by inserting the **Smaller Members (A)** into the plastic guides at the front of the **Larger Members**. You should hear a 'click' when fully inserted.

STEP 19



Place bumpers (H7) according to diagram above.