

## Assembly Instructions – CB3333

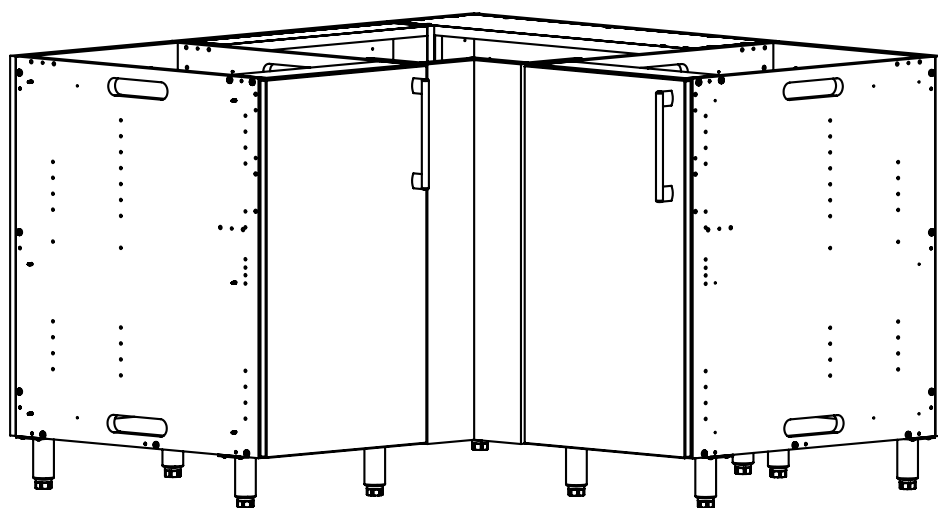
33" wide x 33" deep Dead Corner Base Cabinet

**33" Corner Base Cabinet**

Requires:	Description:
1 – R1	RBK2430
1 – R5	Corner Back Kit
1 – R6	Inner Corner - W



For assistance visit  
[Weatherstrong.com](http://Weatherstrong.com)  
 888-845-0004

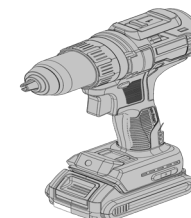
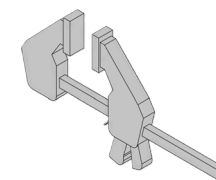


Before you start assembly, inspect all Panels and hardware to ensure nothing is damaged and that you have everything required.

We recommend laying the components on the provided packaging to protect the finish when assembling.

### Required Tools

- Electric Drill with Phillips and Square bit
- Tape Measure
- 2 x C-Clamp
- CAUTION : Safety glasses and gloves recommended

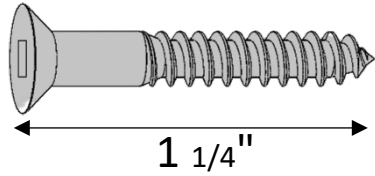


# Hardware Included

Attachment Screw

X 15

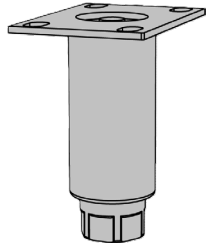
H3



Cabinet Leg 2PK

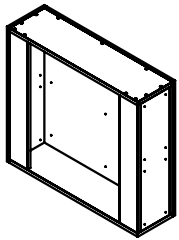
X 1

H10



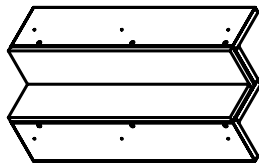
Corner Back Kit-R5

X 1



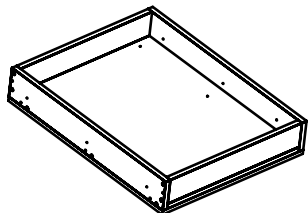
Inner Corner – R6

X 1



RBK24-R1

X 1



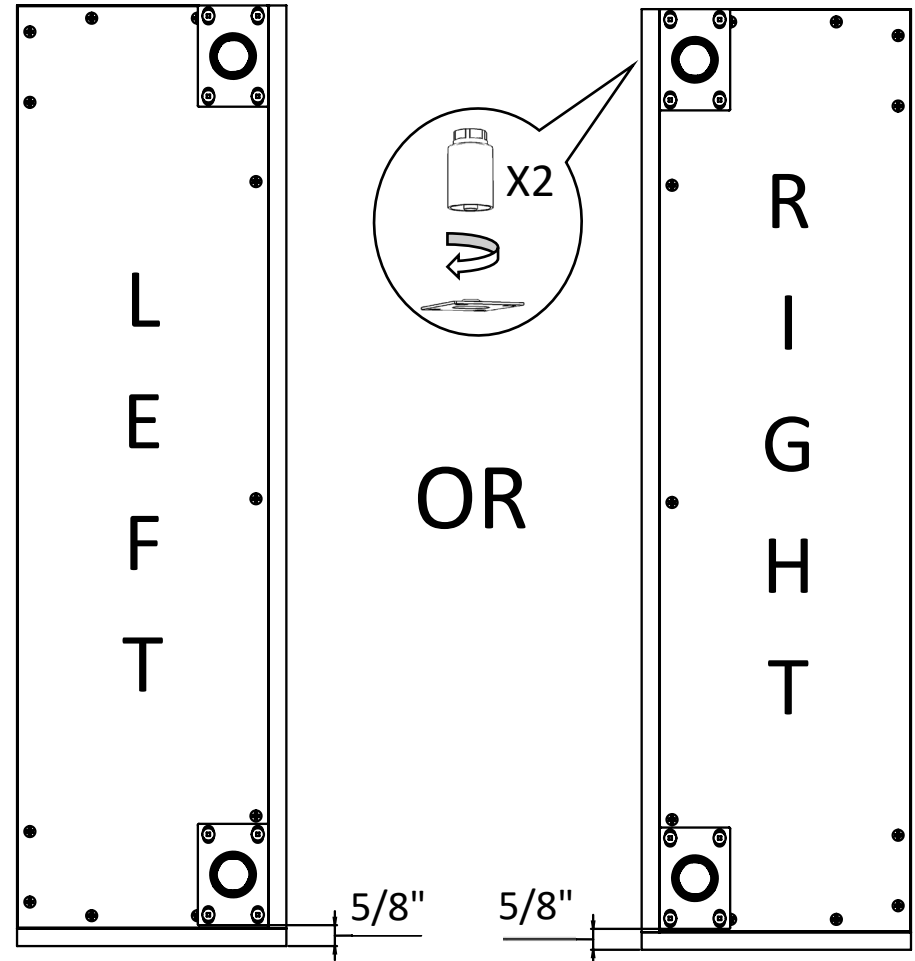
## STEP 1

### REQUIRES

1 x Cabinet Leg packs (H10)  
Drill

**Pro Tip:** Make sure the adjustable end of each leg is loose before standing the cabinet upright. This will make leveling the cabinets easier.

Front

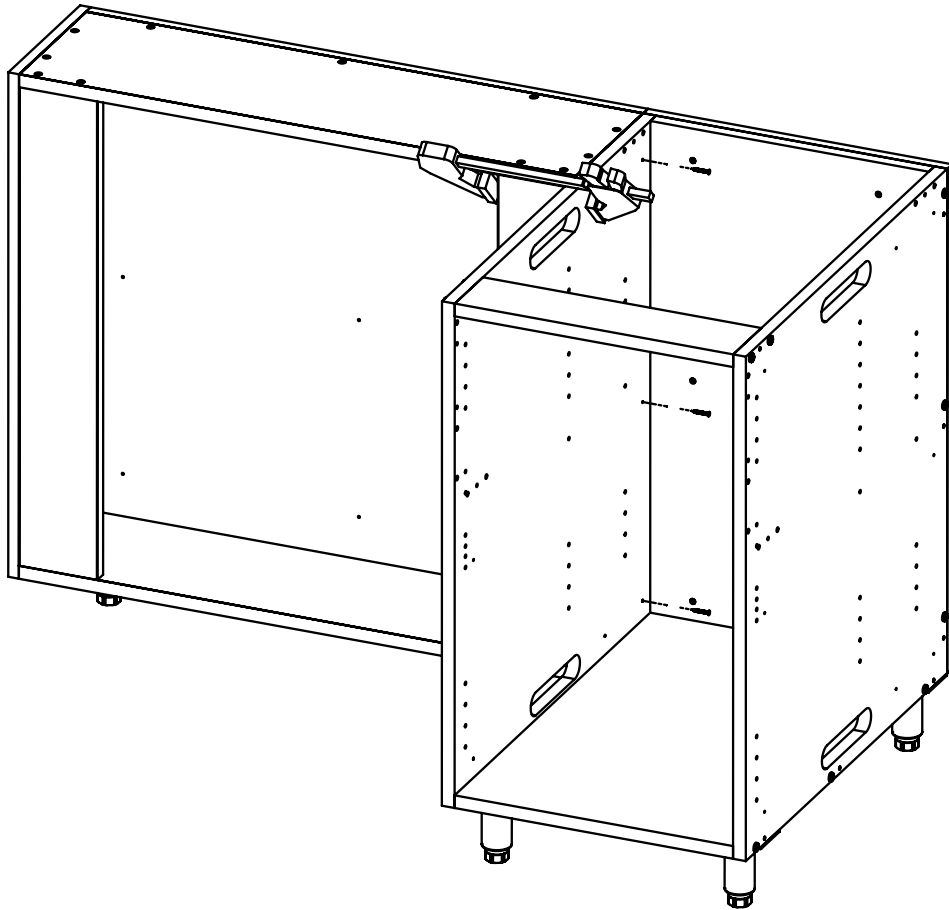


**Cabinet Leg Pack (H10)** consists of 2 cabinet legs, 2 cabinet leg plates and 8 screws. Depending on which side you are going to use the **Corner Back Kit** screw front leg plate onto the **Corner Back Kit** 5/8" inches from the side, and flush to the front. Screw back leg plate onto the **Corner Back Kit** 5/8" of an inch from the back and 5/8" inches from the side. Now, screw on the 2 adjustable legs.

## STEP 2

### REQUIRES

3 x Attachment screw (H3)  
Drill

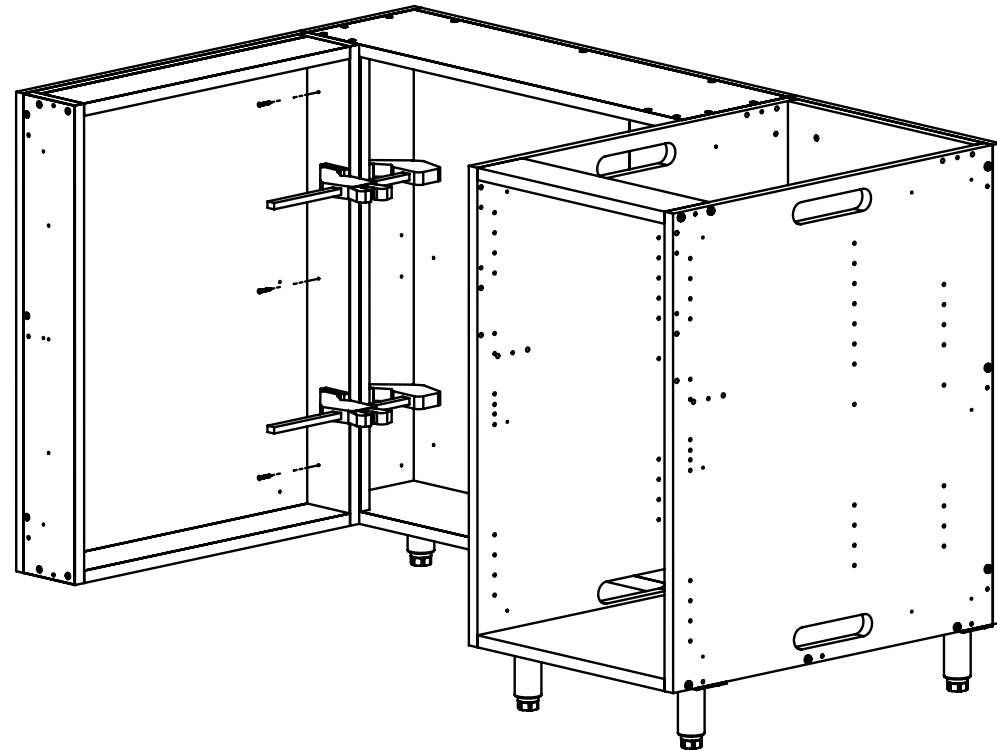


Align finished back of **Cabinet Back Kit** with finished back of your cabinet, use c-clamp to hold in place. Using the Drill and 3 **Attachment Screws (H3)** attach the **Cabinet Back Kit** to the cabinet.

## STEP 3

### REQUIRES

3 x Attachment screw (H3)  
Drill

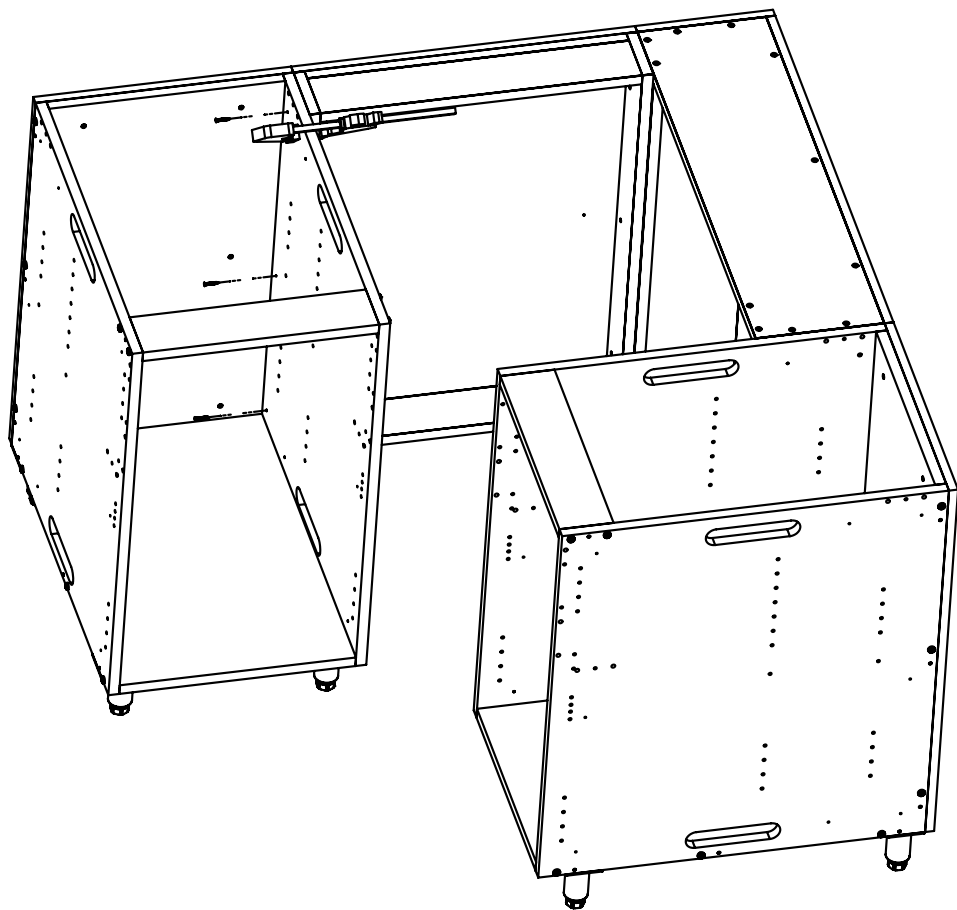


Align finished back of **Refrigerator Backer** with finished back of the **Cabinet Back Kit**, use c-clamp to hold in place. Using the Drill and 3 **Attachment Screws (H3)** attach the **Refrigerator Backer** to the **Cabinet Back Kit**.

## STEP 4

### REQUIRES

3 x Attachment screw (H3)  
Drill

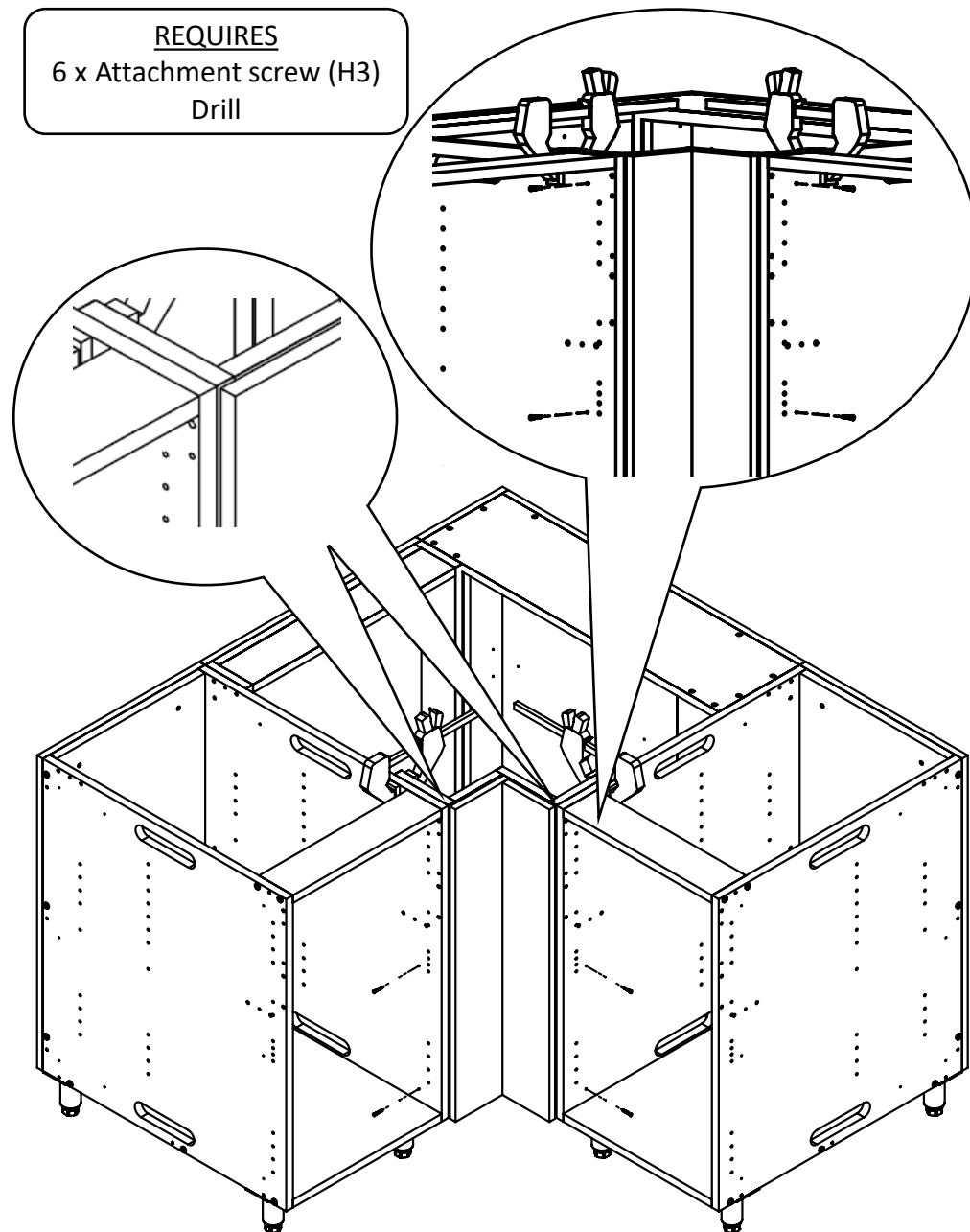


Align finished back of your other cabinet with finished back of the **Refrigerator Backer** , use c-clamp to hold in place. Using the Drill and 3 **Attachment Screws** (H3) attach the cabinet the **Refrigerator Backer**.

## STEP 5

### REQUIRES

6 x Attachment screw (H3)  
Drill



Align the wood of your cabinets with wood of the **Inner Corner -R6**, use c-clamp to hold in place. Using the Drill and 6 **Attachment Screws** (H3) attach the **Inner Corner -R6** to the cabinets.