

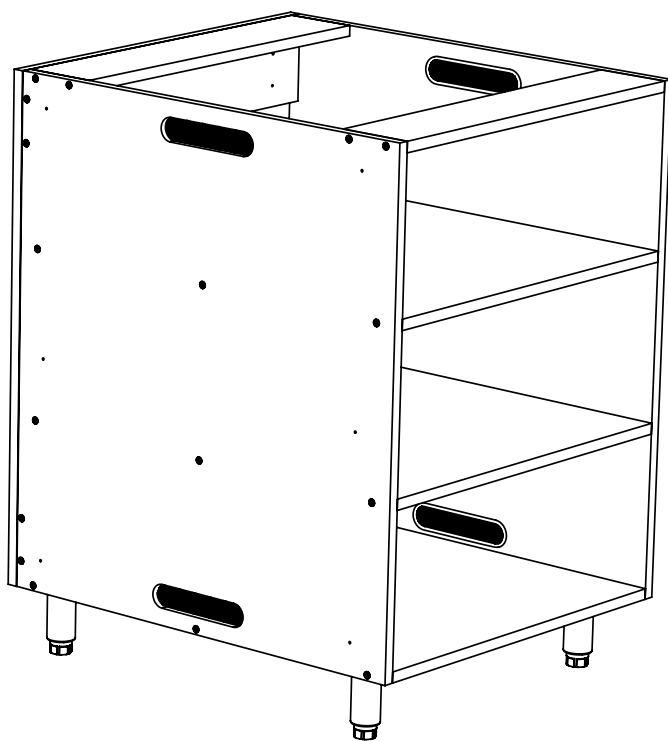
Assembly Instructions – OSU2427

24" wide x 27" deep Open Shelving Unit

Requires:	Description:
1 – C8	24" x 30" Open Shelving Panel Kit
1 – K7	HWKIT07
1 – E3	27" x 30" Cabinet End Panel Pack – 1 Pair



For assistance visit
Weatherstrong.com
888-845-0004

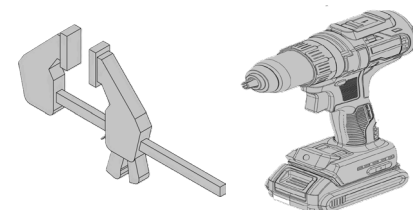


Before you start assembly, inspect all Panels and hardware to ensure nothing is damaged and that you have everything required.

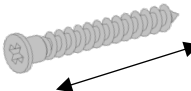
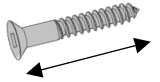
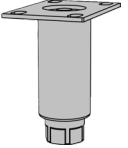
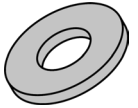
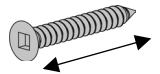
We recommend laying the components on the provided packaging to protect the finish when assembling.

Required Tools

- Electric Drill with Phillips and Square bit
- 2 x C-Clamp
- CAUTION : Safety glasses and gloves recommended

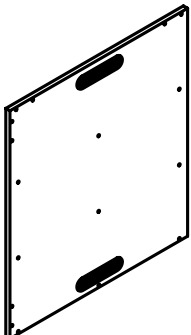
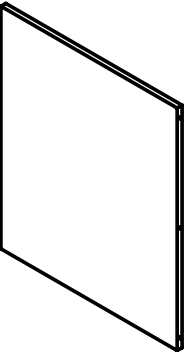
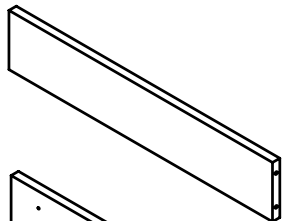
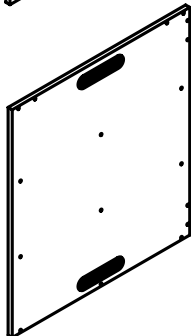
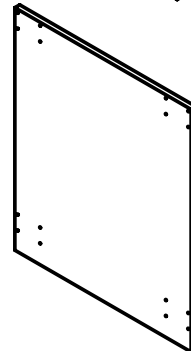
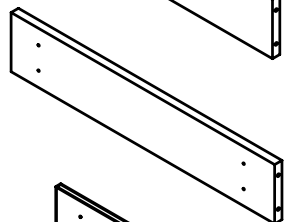
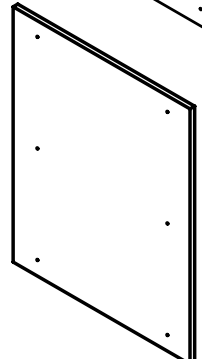


Hardware Kit 07

Picture	Qty	Item	Item ID
 1 9/16"	34	Assembly Screw	H2
 1 1/4"	12	Attachment Screw	H3
	2	Cabinet Leg 2PK	H10
	16	Washers	H16
 1"	4	OSU screw	H18

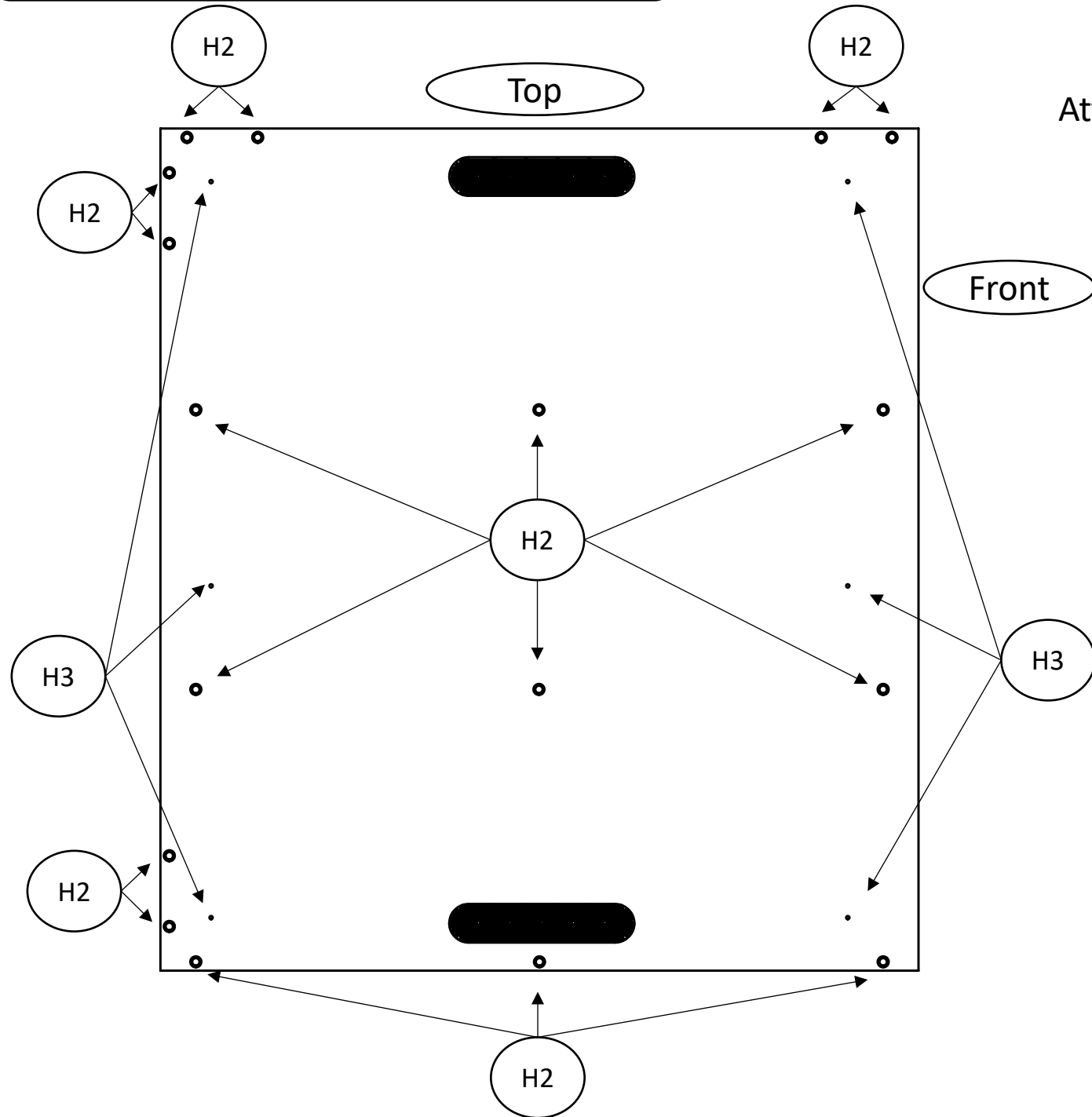
Cabinet Kit Pack E3

Cabinet Kit Pack C8

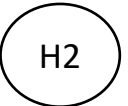
 1 Left End (L)	 2 Fixed Shelf (F1)	 2 Top Rail (C1)
 1 Right End (R)	 1 Bottom Shelf (F2)	 2 Back Brace (C2)
		 1 Back Panel (B)

Hole Assignments

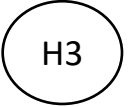
Hole Assignments – Left End Panel



Assembly Screw Holes



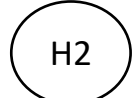
Attachment Screw Holes



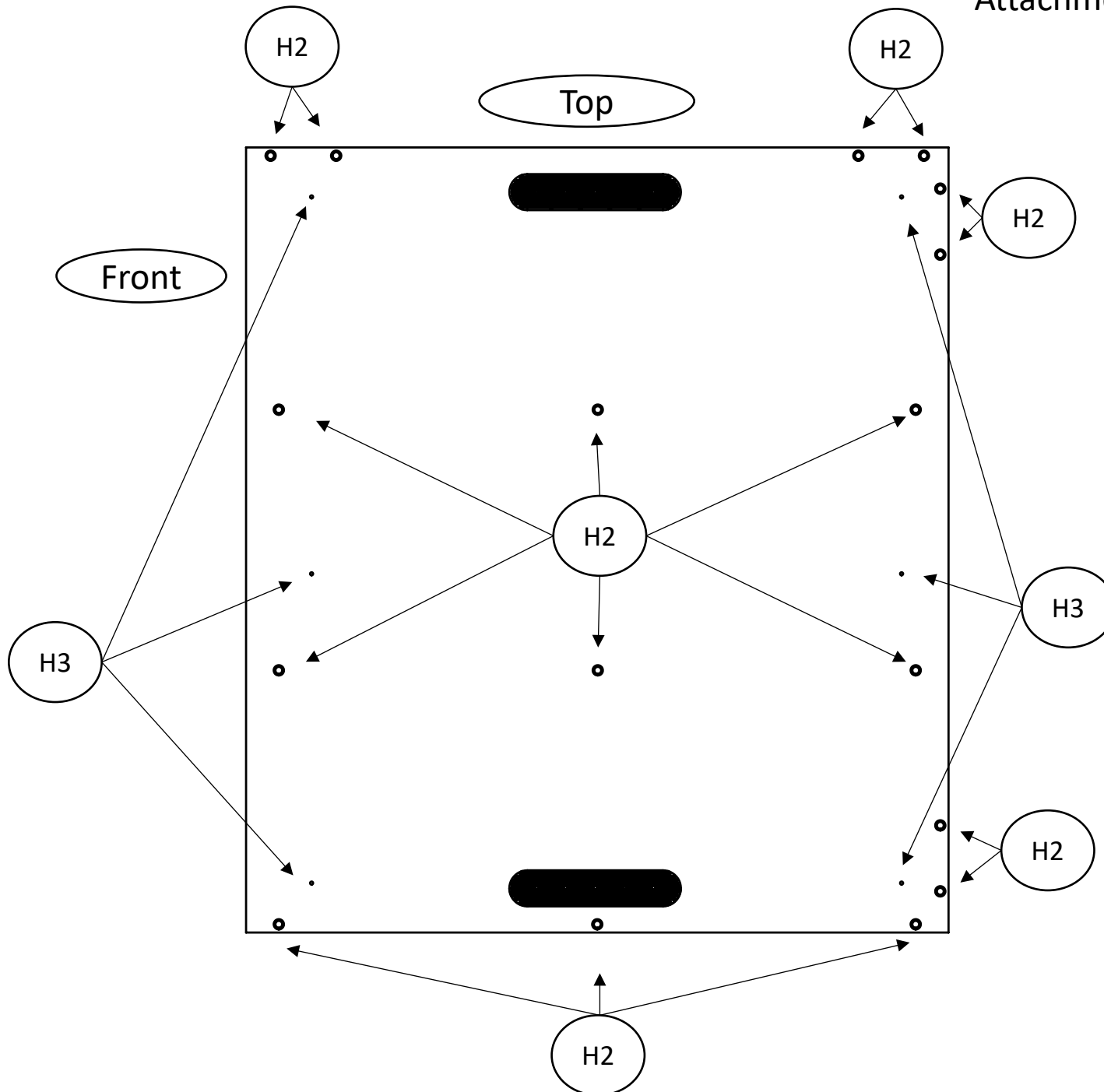
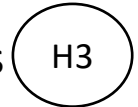
Hole Assignments

Hole Assignments – Right End Panel

Assembly Screw Holes



Attachment Screw Holes



Steps for a Successful Installation

1. Prepare the Site

- 1.1 Your outdoor kitchen should always be installed on a stable surface (patio/deck/balcony/rooftop) which should be as near to level as drainage requirements allow.
- 1.2 All cabinets come standard with adjustable stainless steel legs. However, in instances of extreme slope, or very large kitchens, footings may be needed to compensate if it falls out of the adjustable range of the legs.
- 1.3 Your kitchen has been designed to be freestanding and does not need to be affixed to the ground/wall. For extreme environments, such as high wind areas, we suggest that your kitchen be secured to an appropriate support structure. Please consult with your contractor/engineer for specifics.
- 1.4 Verify with your contractor/engineer to ensure that the surface is designed to support the weight of the kitchen.

2. Planning for Appliances

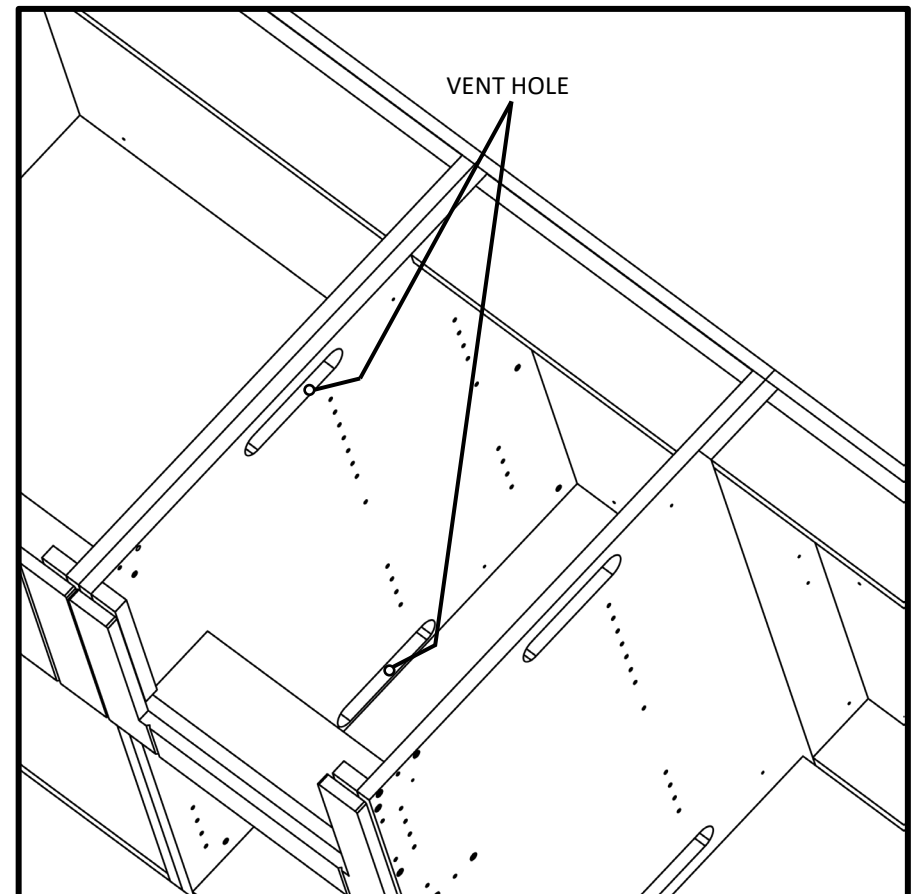
- 2.1 Your island cabinetry is made from weatherproof combustible materials and therefore, each gas appliance requires an insulated heat jacket. Check your specific island configuration for the necessary parts.
- 2.2 Please review the owner's manuals provided with your appliances before installation and ensure the hook-up is done by a licensed professional in accordance with local codes.



ATTENTION: WeatherStrong recommends using a licensed professional to handle all gas and electric connections.

3. Planning for Services (Gas/Electrical/Plumbing)

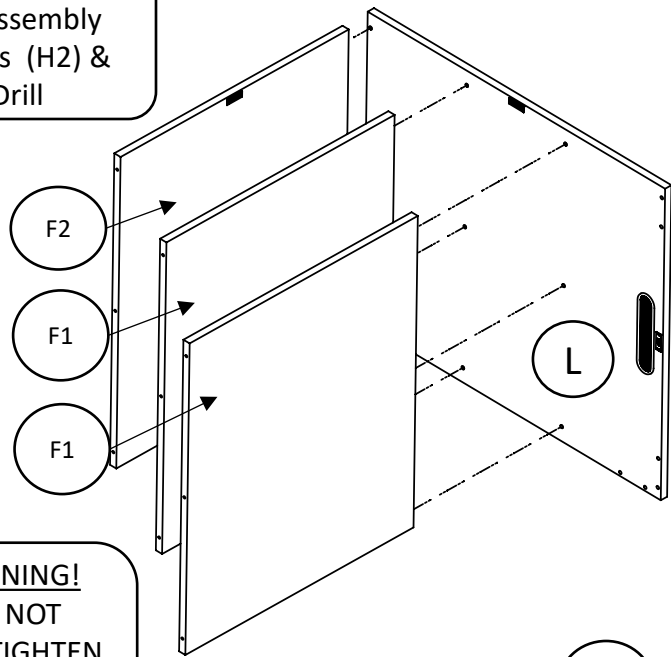
- 3.1 Vent holes are included in most cabinets to make service planning and implementation as easy as possible.
- 3.2 Local codes have specific requirements and restrictions for all services. Please ensure that planning and installation is performed by a locally licensed tradesperson.



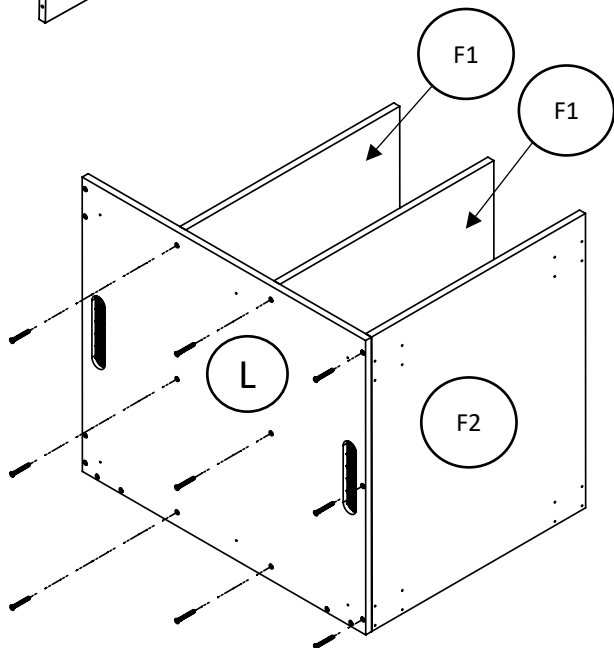
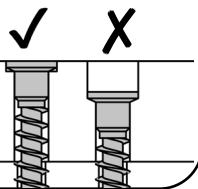
STEP 1

REQUIRES

9 x Assembly screws (H2) & Drill



WARNING!
DO NOT OVERTIGHTEN FLUSH SCREW TO PANEL

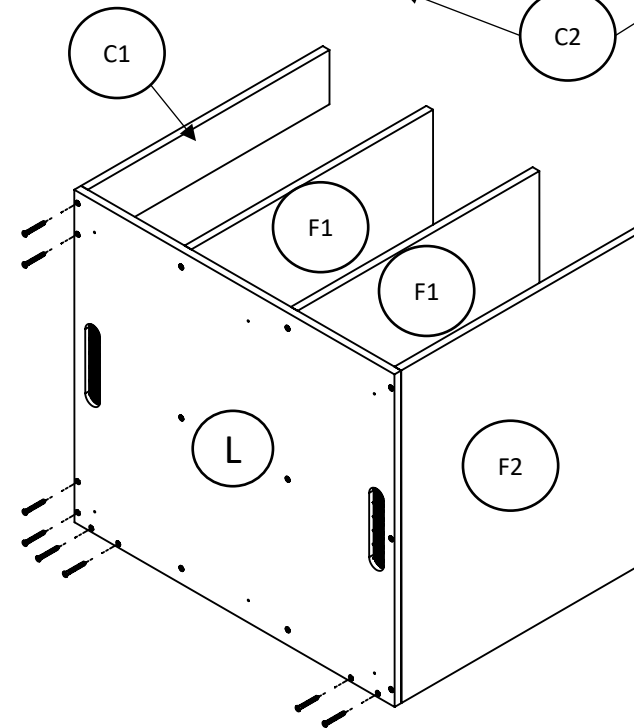
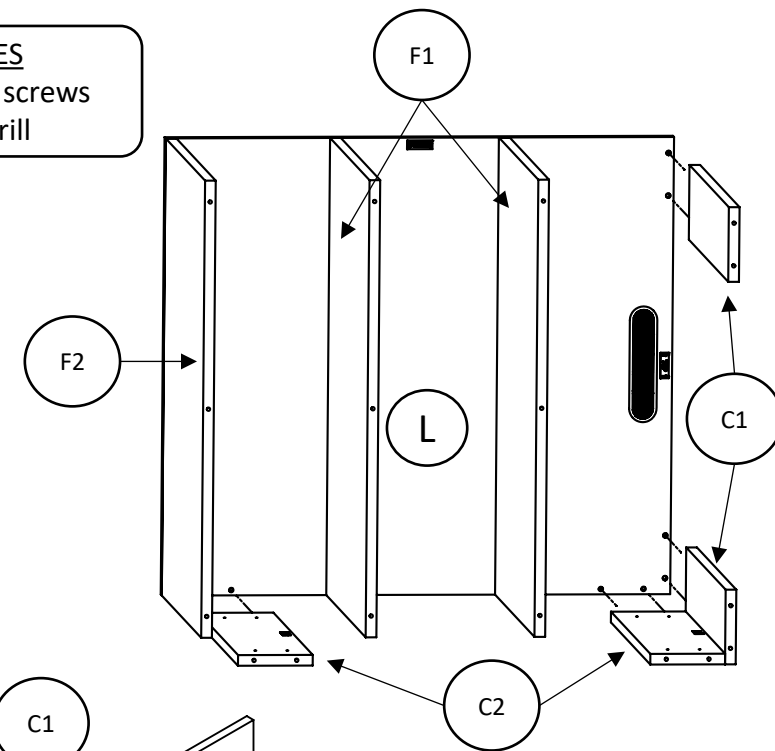


Align **Panel (F2)** with the bottom of the Left end and align the both **Panel (F1)** up to **Panel (L)**. Using the drill and 9 **Assembly Screws (H2)** screw **Panel (L)** to the 2 **Panel (F1)**'s and **Panel (F2)**.

STEP 2

REQUIRES

8 x Assembly screws (H2) & Drill



Align both **Panel (C1)** and **(C2)** to **Panel (L)** and using the Drill and 8 **Assembly screws (H2)** screw **Panel (L)** to both **Panel (C1)** and both **Panel (C2)**.

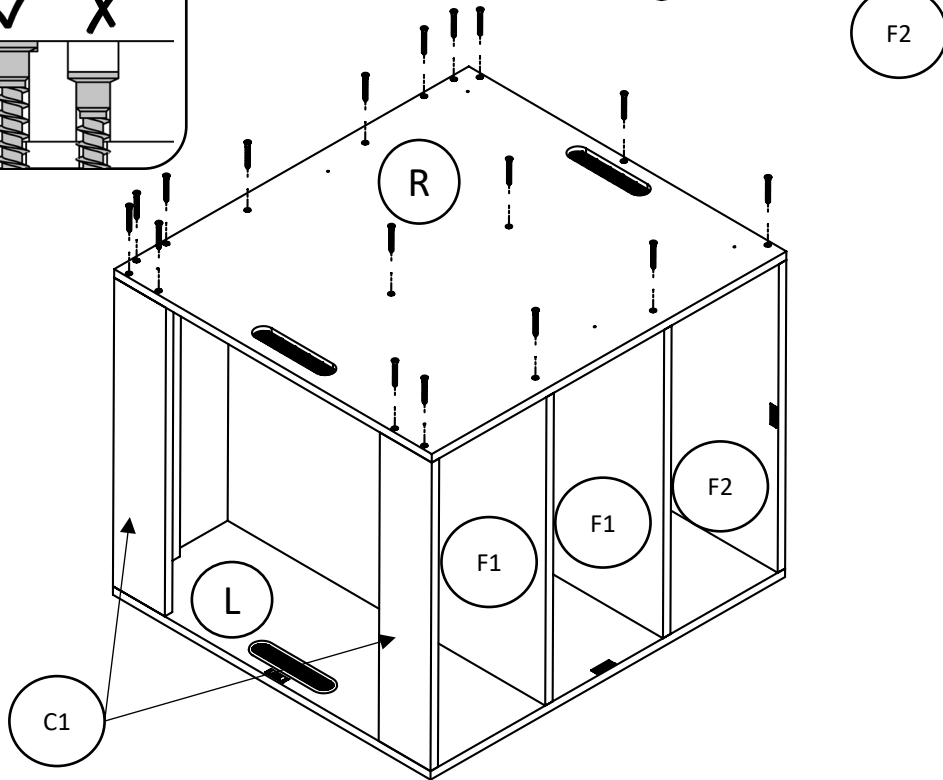
STEP 3

REQUIRES

17 x Assembly screws (H2)
Drill

WARNING!

DO NOT
OVERTIGHTEN
FLUSH SCREW
TO PANEL

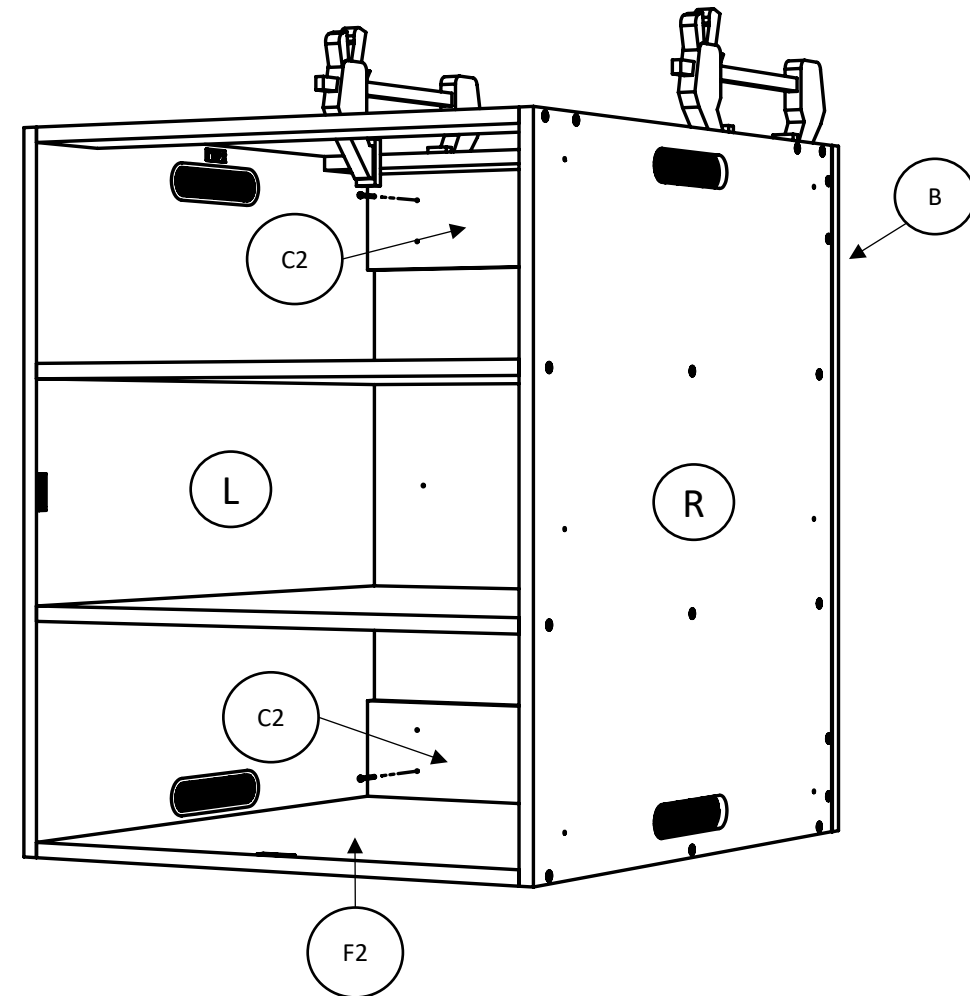


Align **Panel (R)** to all **Panels (F's)** and **(C's)** and using the drill and 17 **Assembly Screws (H2)** screw **Panel (R)** to all **Panels (F)** and **(C)**.

STEP 4

REQUIRES

4 x OSU screws (H18)
Drill



Align **Panel (B)** to the back of the OSU ensure top and both sides are flush with the cabinet. Using the drill and 4 **OSU screws (H18)** screw both **Panel (C2)** to the Back Panel (there are predrilled holes on the back **Panel (B)** to assist with attaching the Panel).

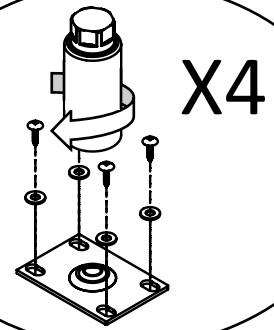
STEP 5

REQUIRES

2 x Cabinet Leg packs (H10)
16 x Washers
Drill

1.5"

Front



Pro Tip: Make sure the adjustable end of each leg is loose before standing the cabinet upright. This will make leveling the cabinets easier.

5/8"

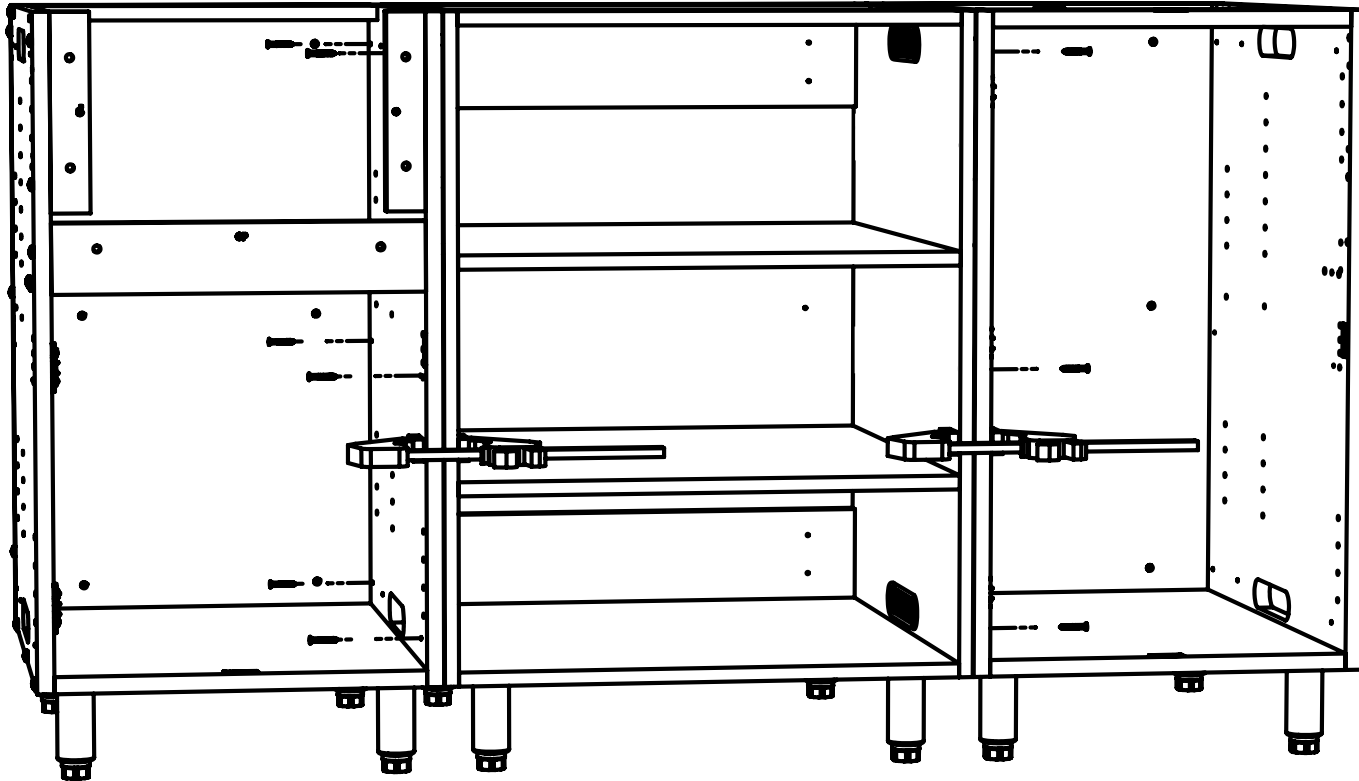
Back

Cabinet Leg Pack (H10) consists of 2 cabinet legs, 2 cabinet leg plates, 8 washers and 8 screws. Screw front cabinet leg plates with the washers onto the cabinet 1.5 inches from the front and flush to the sides (pilot holes provided),. Screw back cabinet leg plates with the washers onto the cabinet 5/8 of an inch from the back and 5/8" to the sides(pilot holes provided). Now, screw on the 4 adjustable legs.

STEP 6

REQUIRES

12 x Attachment screws (H3)
Drill



You may want to use C-clamps to help you hold OSU into place , make sure top and front of shelving unit is flush with the other cabinets. Using the drill and 12 **Attachment screws (H3)** screw the adjacent cabinets to the OSU. **It is not suggested that the OSU be used as the last cabinet in the cabinet run.**