

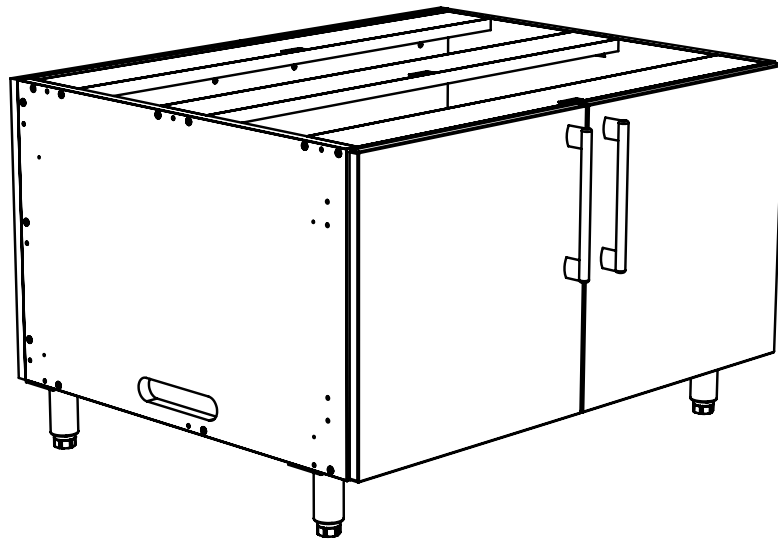
# Assembly Instructions – KGB3627

36" wide x 27" deep x 18" high Kamado Grill or Egg Base Cabinet

Requires:	Description:
1 – C6	36" x 27" Kamado Grill Cabinet Panel Kit
1 – D6	Doors & Back Panel Pack - HDPE
1 – E2	Cabinet End Panel Pack - 1-Pair
1 – K6	Assembly Hardware & Legs Kit 06



For assistance visit  
[Weatherstrong.com](http://Weatherstrong.com)  
 888-845-0004



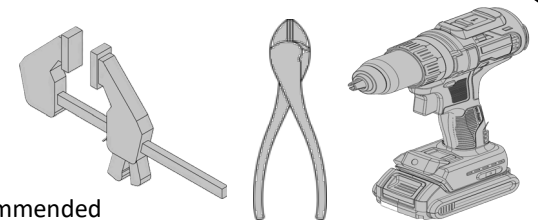
Before you start assembly, inspect all panels and hardware to ensure nothing is damaged and that you have everything required.

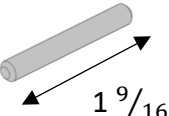
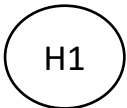
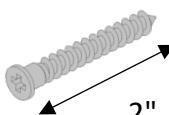
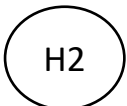
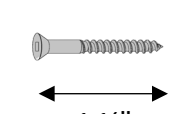
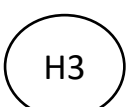
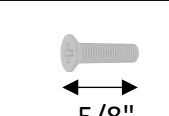
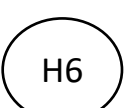
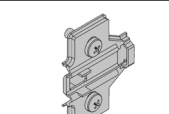
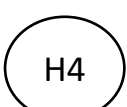
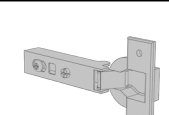
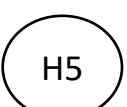
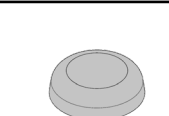

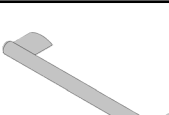
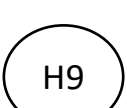
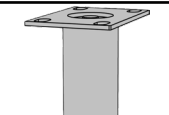
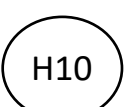
We recommend laying the components on the provided packaging to protect the finish when assembling.

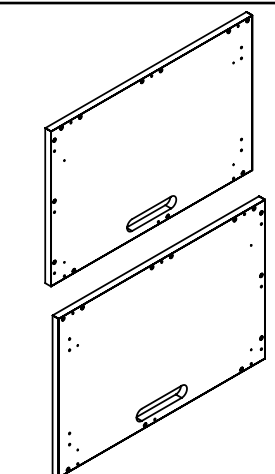
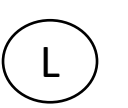
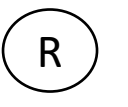
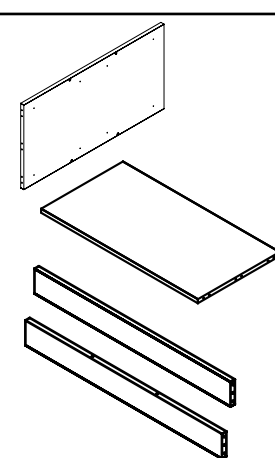
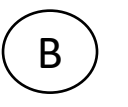
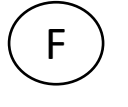
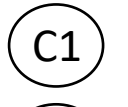
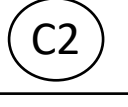
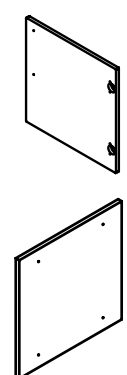
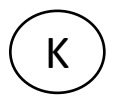

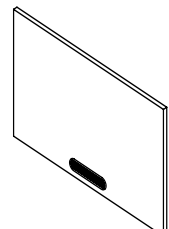
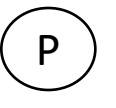
### Required Tools

- Electric Drill with Phillips and Square bit
- Wire Cutters
- Tape Measure
- 2x C-Clamp

CAUTION : Safety glasses and gloves recommended



Hardware Kit K6			
Picture	QTY	Item	Item ID
 1 9/16"	12	Locator Dowel	
 2"	28	Assembly Screw	
 1 1/4"	16	Attachment Screw	
 5/8"	8	Hinge Screw	
	4	Hinge Plate (with pre-mounted screws)	
	4	Soft Close Hinge	
	4	Door Bumper	
	2	Door Handle Kit	
	2	Cabinet Leg 2PK	

Cabinet Kit PACK E2			
Picture	QTY	Item	Item ID
	1	End Panel Left	
	1	End Panel Right	
Cabinet Kit PACK C6			
	1	Back Panel	
	2	Fixed Shelf	
	2	Top Rail	
	1	Back Brace	
Finish Kit PACK D6		PACK B2-(Optional)	
	2	Door	
	2	Matching Back Panel	
	2	Matching End Panel	

# Hole Assignments: Pack E1

## Hole Assignments – Right End Panel

Assembly Screw holes

H1

Locator Dowel holes

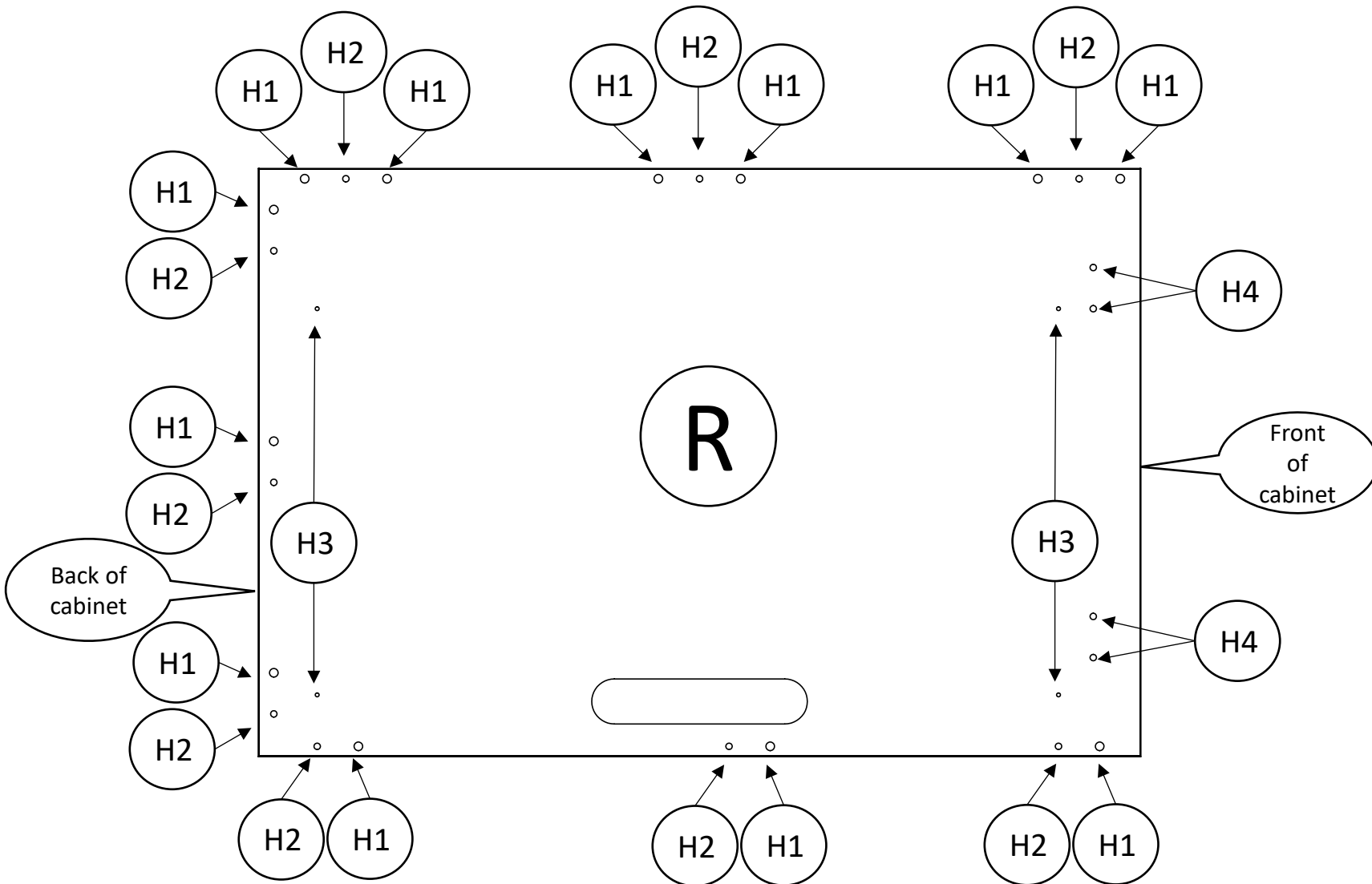
H2

Attachment Screw holes

H3

Hinge Plate Screw holes

H4



# Hole Assignments: Pack E1

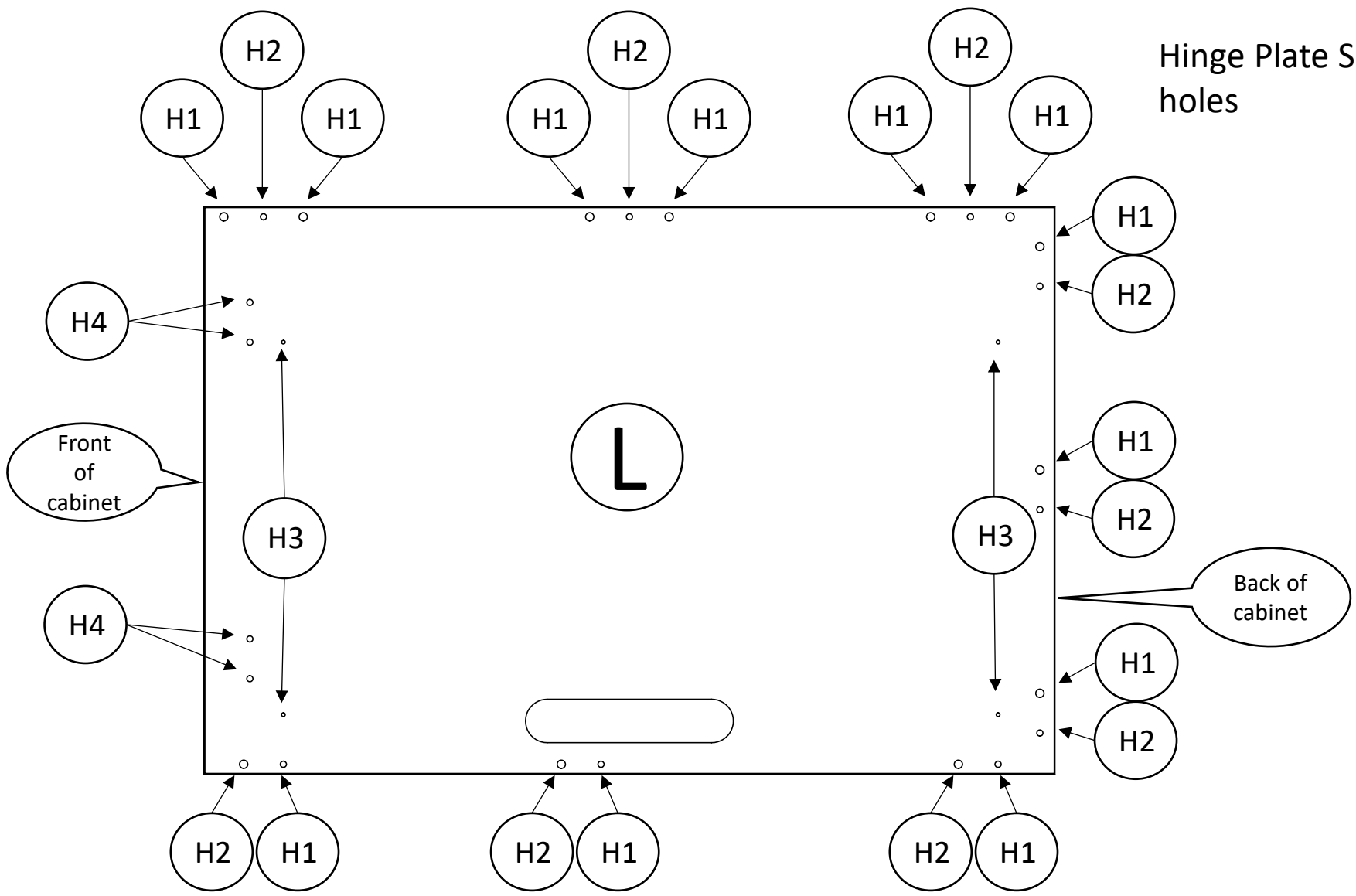
## Hole Assignments – Left End Panel

Assembly Screw holes (H1)

Locator Dowel holes (H2)

Attachment Screw holes (H3)

Hinge Plate Screw holes (H4)



# Steps for a Successful Installation

## 1. Prepare the Site

- 1.1 Your outdoor kitchen should always be installed on a stable surface (patio/deck/balcony/rooftop) which should be as near to level as drainage requirements allow.
- 1.2 All cabinets come standard with adjustable stainless steel legs. However, in instances of extreme slope, or very large kitchens, footings may be needed to compensate if it falls out of the adjustable range of the legs.
- 1.3 Your kitchen has been designed to be freestanding and does not need to be affixed to the ground/wall. For extreme environments, such as high wind areas, we suggest that your kitchen be secured to an appropriate support structure. Please consult with your contractor/engineer for specifics.
- 1.4 Verify with your contractor/engineer to ensure that the surface is designed to support the weight of the kitchen.

## 2. Planning for Appliances

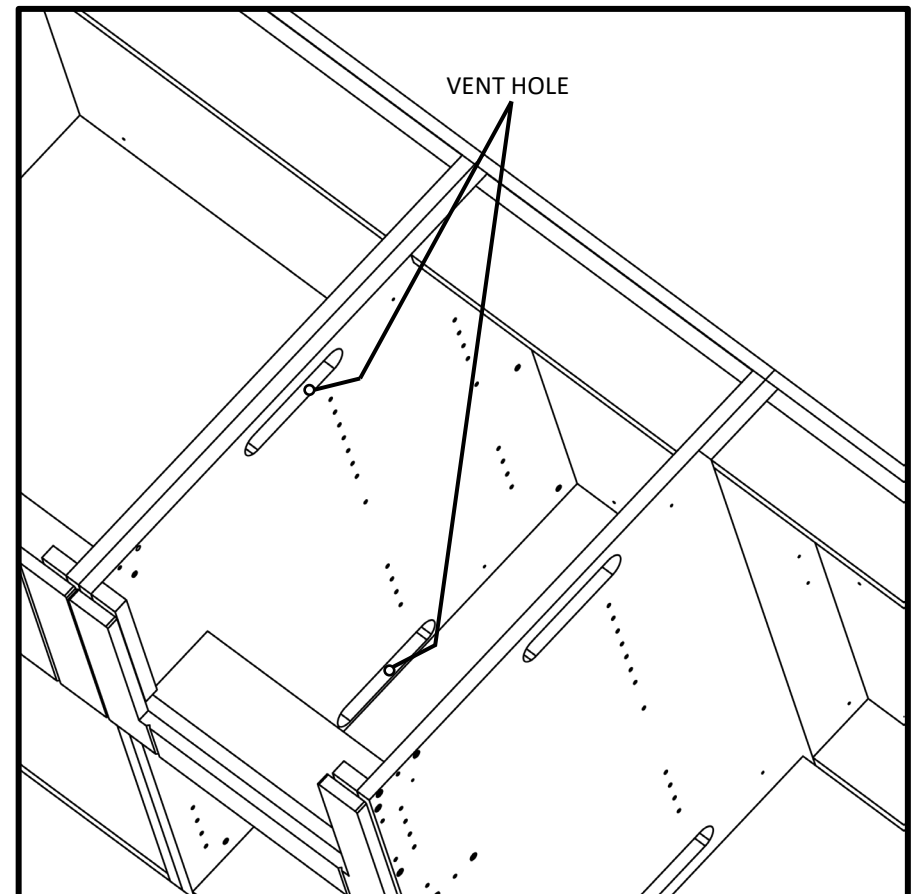
- 2.1 Your island cabinetry is made from weatherproof combustible materials and therefore, each gas appliance requires an insulated heat jacket. Check your specific island configuration for the necessary parts.
- 2.2 Please review the owner's manuals provided with your appliances before installation and ensure the hook-up is done by a licensed professional in accordance with local codes.



**ATTENTION:** WeatherStrong recommends using a licensed professional to handle all gas and electric connections.

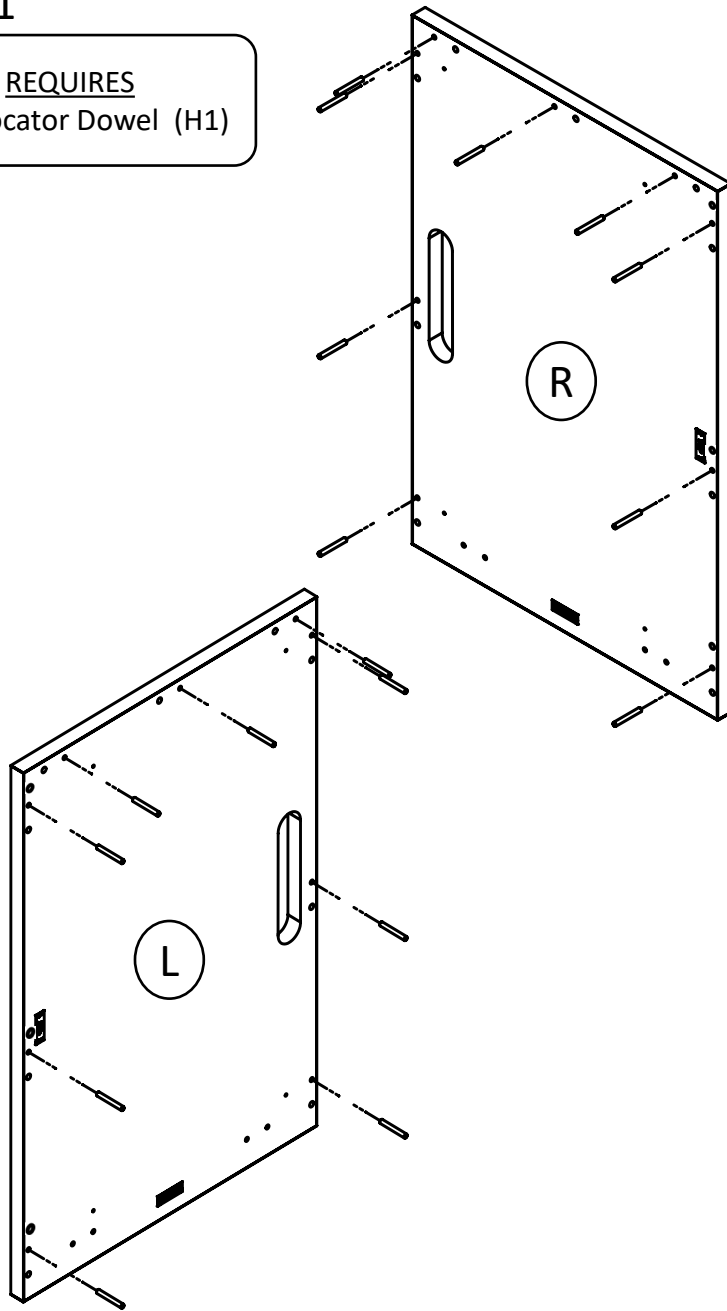
## 3. Planning for Services (Gas/Electrical/Plumbing)

- 3.1 Vent holes are included in most cabinets to make service planning and implementation as easy as possible.
- 3.2 Local codes have specific requirements and restrictions for all services. Please ensure that planning and installation is performed by a locally licensed tradesperson.



## STEP 1

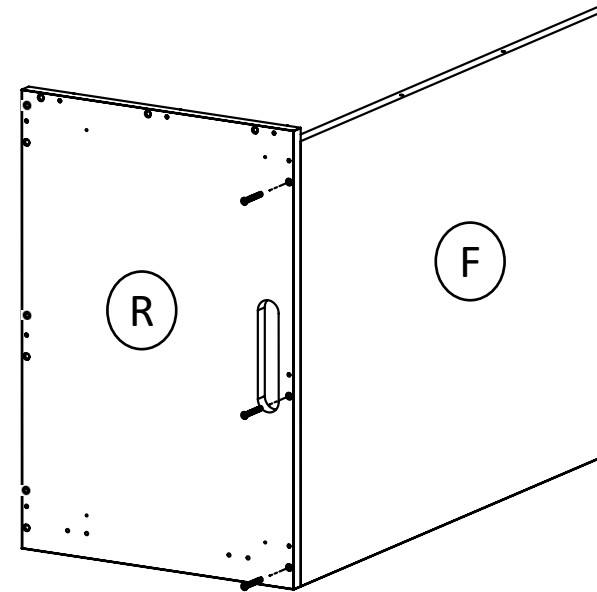
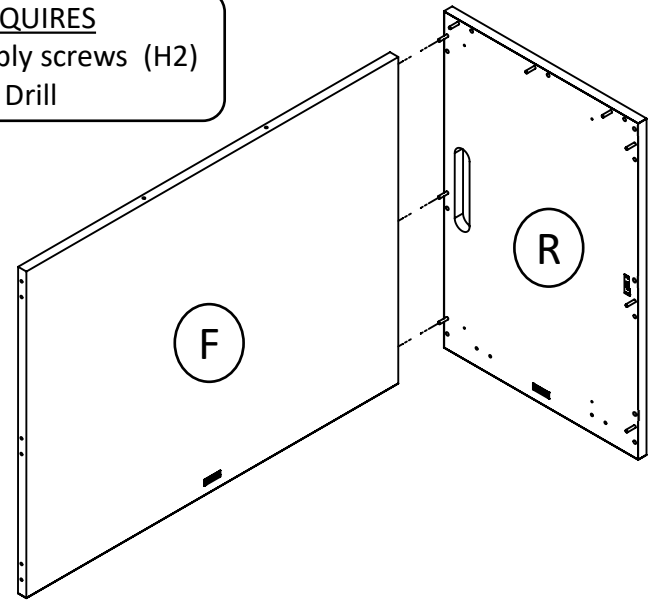
REQUIRES  
18 x Locator Dowel (H1)



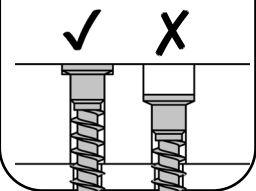
Lay **Panel (R)** and **(L)** on a flat surface and insert **Locator Dowel (H1)** in the correct locator dowel holes. Reference pages 3 and 4.

## STEP 2

REQUIRES  
3 x Assembly screws (H2)  
Drill



WARNING!  
DO NOT  
OVERTIGHTEN  
FLUSH SCREW  
TO PANEL



Insert the 3 **Locator Dowels** along the bottom edge of **Panel (R)** into the locator dowel holes on the side of **Panel (F)**. Using the drill and 3 **Assembly screws (H2)** screw **Panel (R)** to **Panel (F)**. If **Panel (B)** is not flush or inset with the edge of **Panel (R)** rotate **Panel (B)** 180 degrees.

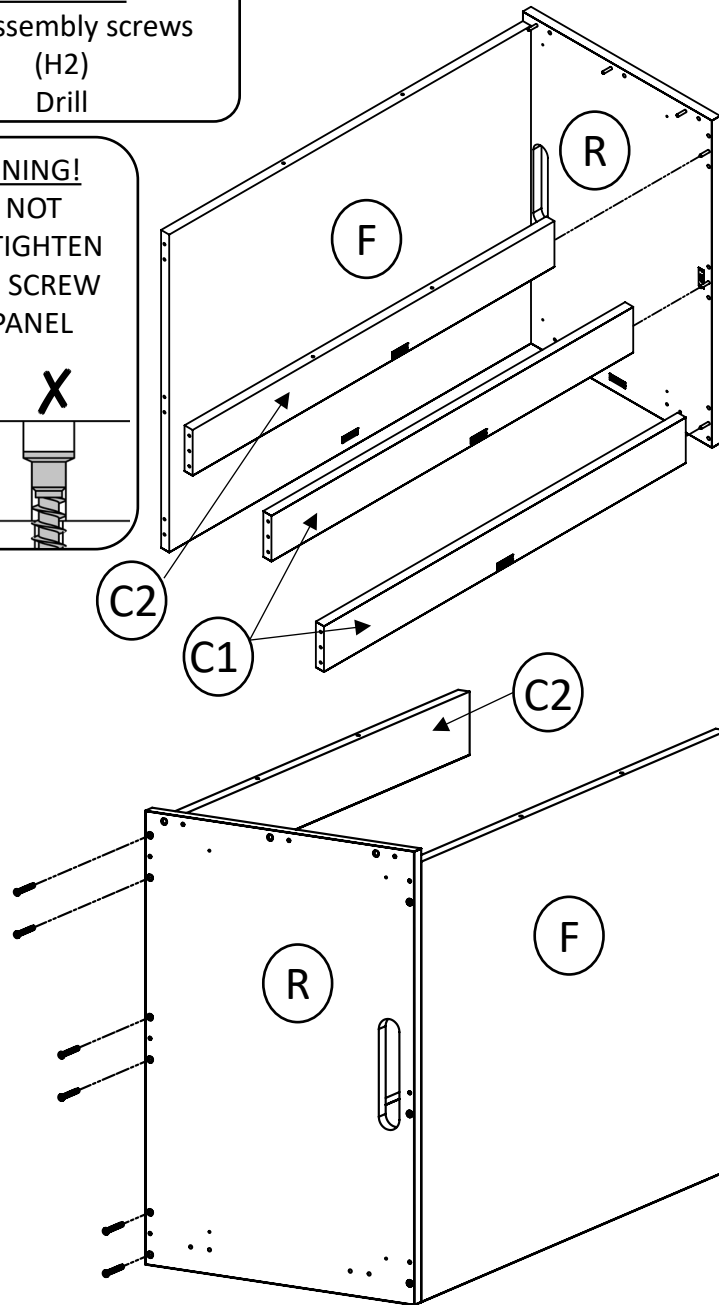
### STEP 3

#### REQUIRES

6 x Assembly screws  
(H2)  
Drill

#### WARNING!

DO NOT  
OVERTIGHTEN  
FLUSH SCREW  
TO PANEL

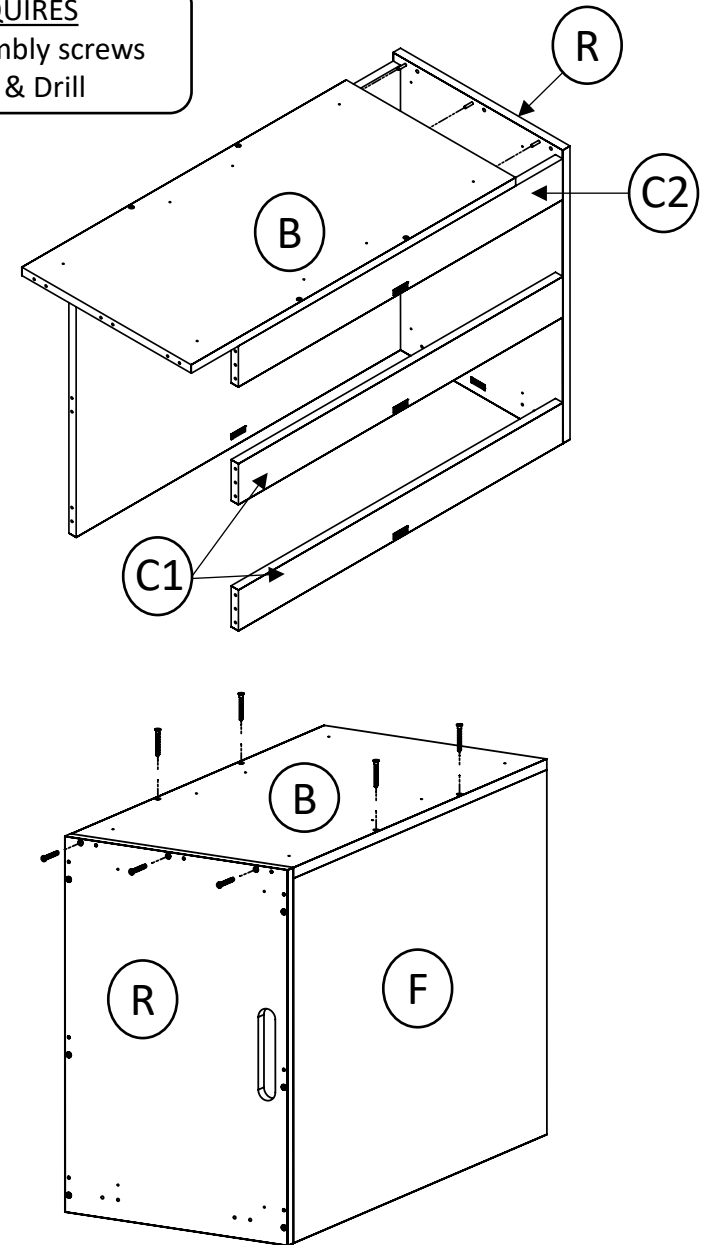


Insert the 3 **Locator Dowels** along the Top edge of **Panel (R)** into the locator dowel holes on the side of **Panel (C2)** and **Panels (C1)**. Using the drill and 6 **Assembly screws (H2)** screw **Panel (R)** to **Panel (C2)** and both **Panel (C1)**.

### STEP 4

#### REQUIRES

7 x Assembly screws  
(H2) & Drill



Insert the 2 **Locator Dowels** along the Back edge of **Panel (R)** into the locator dowel holes on the side of **Panel (B)**. Using the drill and 7 **Assembly screws (H2)** screw **Panel (R)** to **Panel (B)** and **Panel (B)** to **Panel (F)** and to **Panel (C2)**.

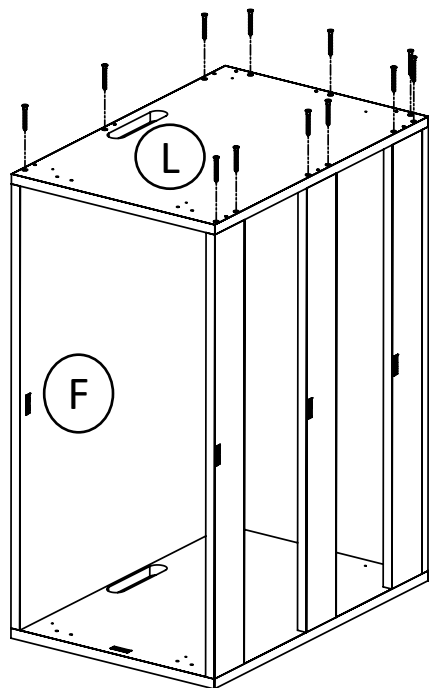
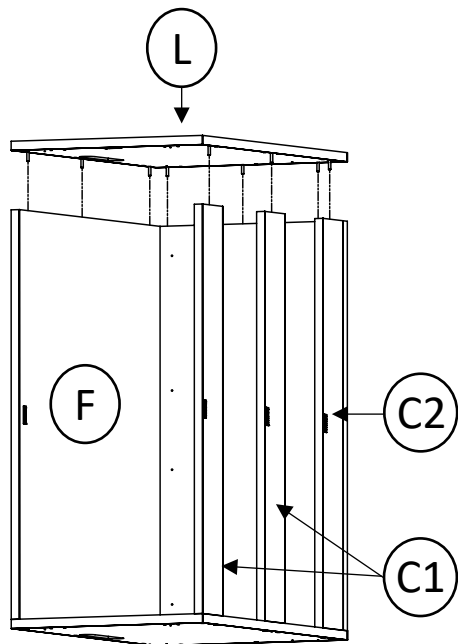
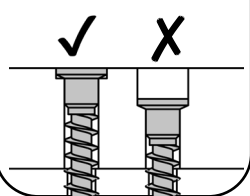
## STEP 5

### REQUIRES

12 x Assembly screws (H2)  
Drill

### WARNING!

DO NOT  
OVERTIGHTEN  
FLUSH SCREW  
TO PANEL

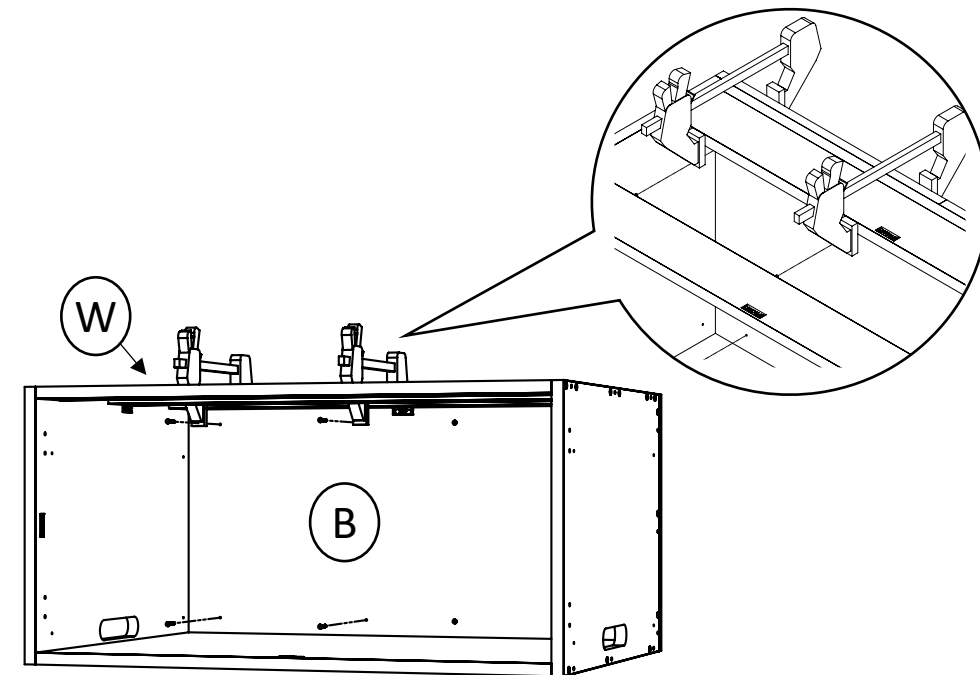
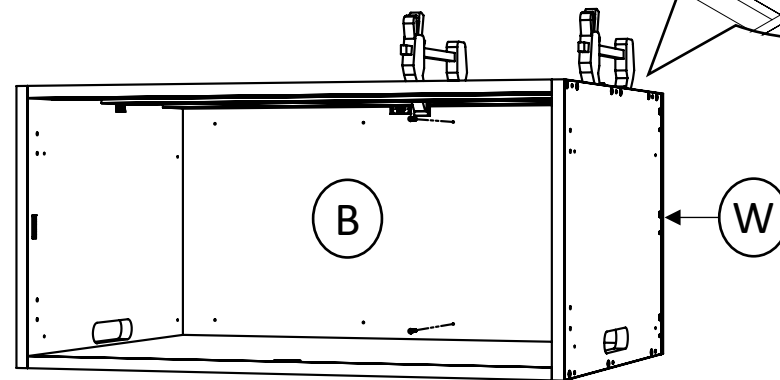


Insert the 9 **Locator Dowels** on **Panel (L)** into the locator dowel holes on the sides of **Panel (B)**, **Panel (F)**, **Panel (C2)** and **Panels (C1)**. Using the drill and 12 **Assembly screws (H2)** screw **Panel (L)** to **Panel (B)**, **Panel (F)**, **Panel (C2)** and **Panels (C1)**.

## STEP 6

### REQUIRES

8 x Attachment screws (H2)  
2 x clamps  
Drill



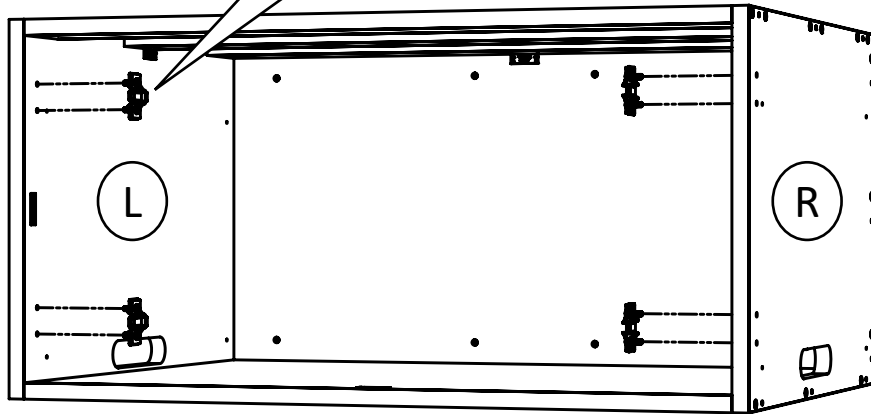
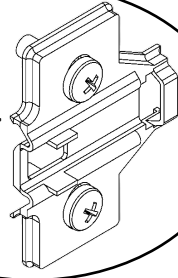
Take 1 of the **Panel (W)** and using the 2 C-clamps, clamp **Panel (W)** to the right back side of **Panel (C2)**. Using the drill and 4 Attachment screw(H3) screw **Panel (B)** to **Panel (W)**. Repeat step for the other Panel (W).

## STEP 7

### REQUIRES

4 x Hinge Plates (H4)  
Drill

FRONT



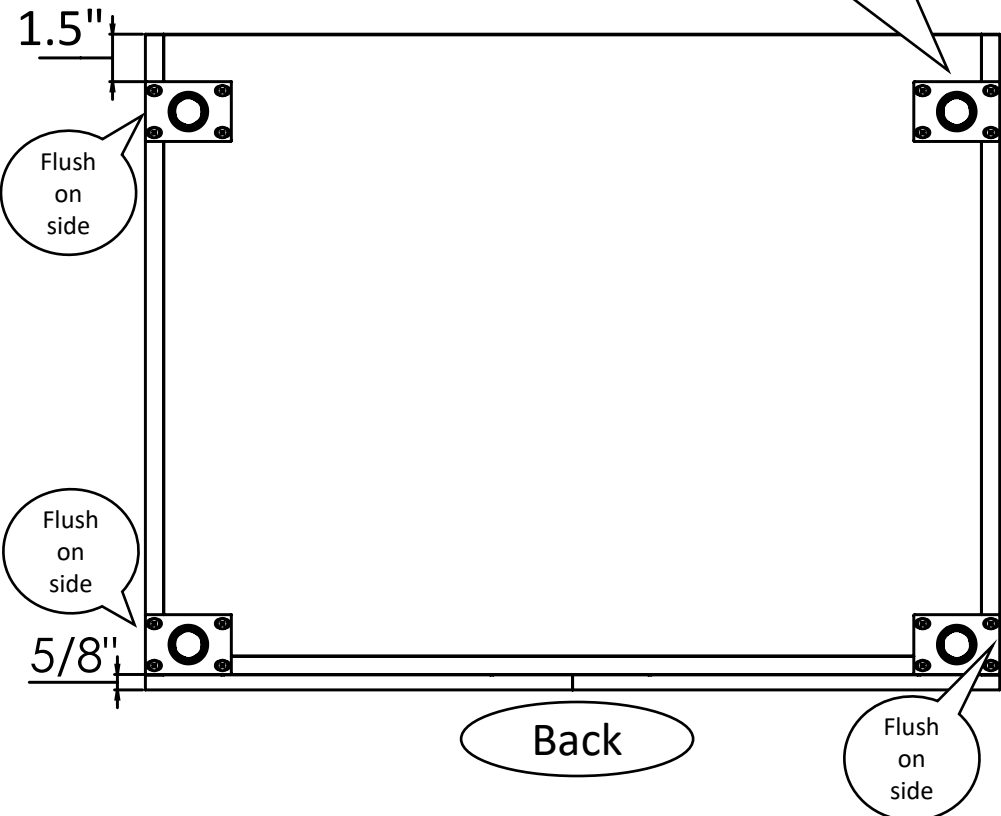
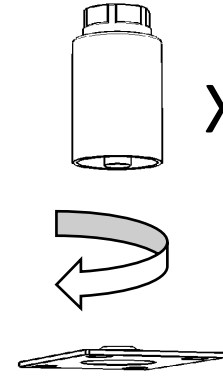
Using the drill screw 4 **Hinge plates** (H4) into the correct hinge plate holes. Reference hole assignment on page 3 or 4.

## STEP 8

### REQUIRES

2 x Cabinet Leg packs (H10)  
Drill

X4

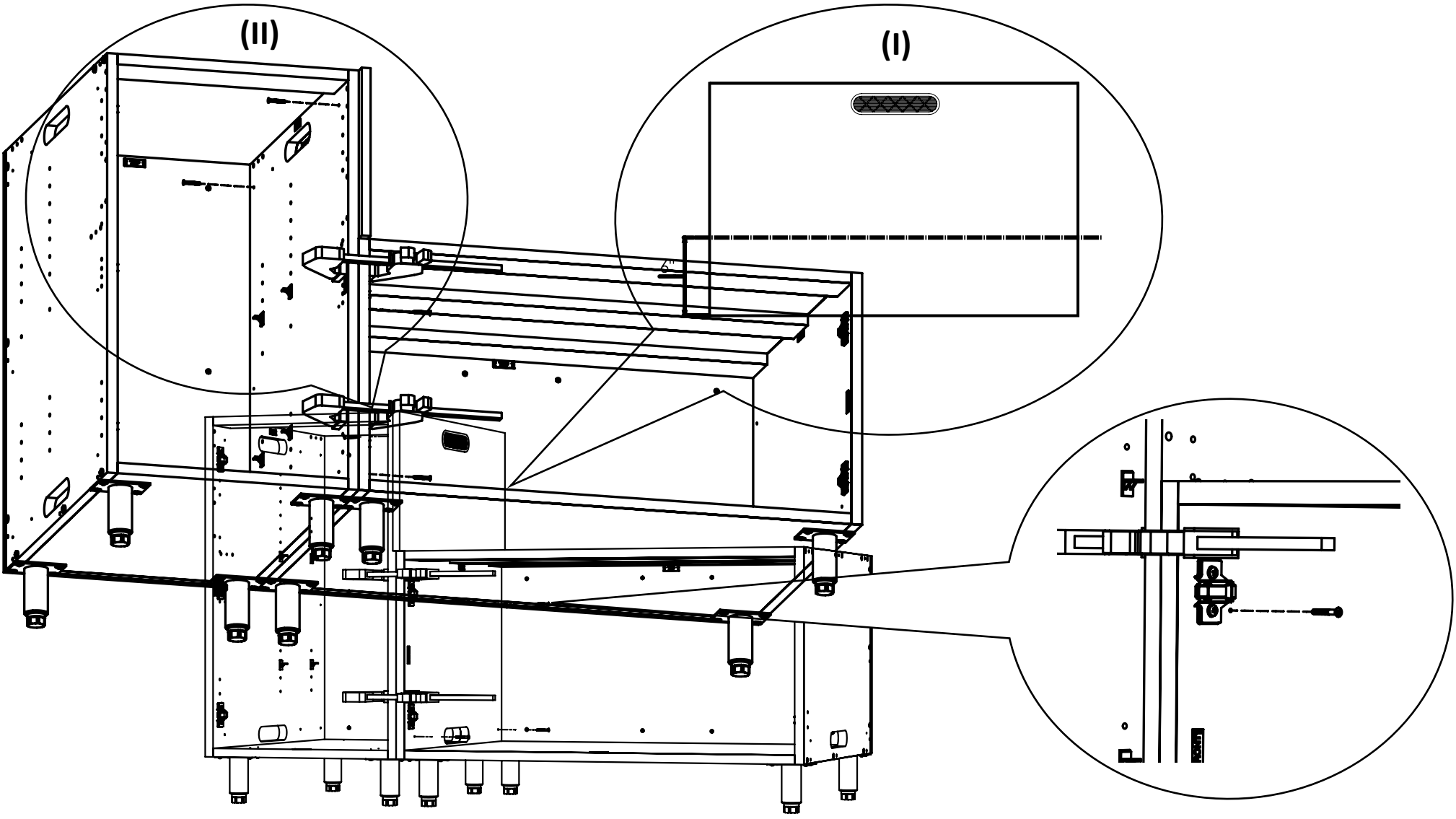


**Cabinet Leg Pack** (H10) consists of 2 cabinet legs, 2 cabinet leg plates and 8 screws. Screw front cabinet leg plates onto the cabinet 1.5 inches from the front, and flush to the sides. Screw back cabinet leg plates onto the cabinet 5/8 of an inch from the back and flush to the sides. Now, screw on the 4 adjustable legs.

# STEP 9 (Depends on location of cabinet)

REQUIRES  
6 x Attachment Screws (H3)  
Drill

## Option A: Joining Cabinets Together



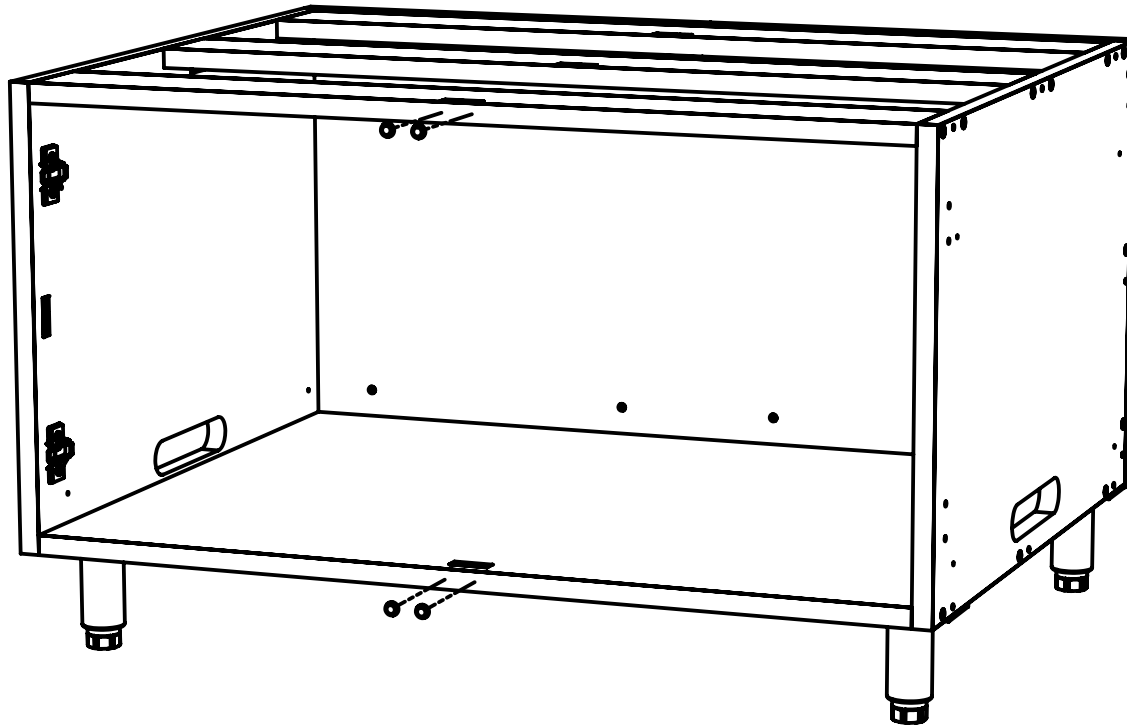
**Option A: Screwing Cabinets Together** – align the Attachment Screw holes in each cabinet and using the **Drill** and 4 **Attachment Screws (H3)** screw the cabinets together. You may wish to use a C-clamp to secure panels in place while attaching. Make sure the cabinet sides are flush in front and back. To apply Finished end (PACK B2) to the cabinet next to the KGB you will need to trim the panel , see above **(I)**. After trimming use drill and 2 Attachment screws (H3) and screw cabinet to Finished end , see **(II)** above.



## STEP 11

### REQUIRES

4 x Clear Door Bumpers (H7)

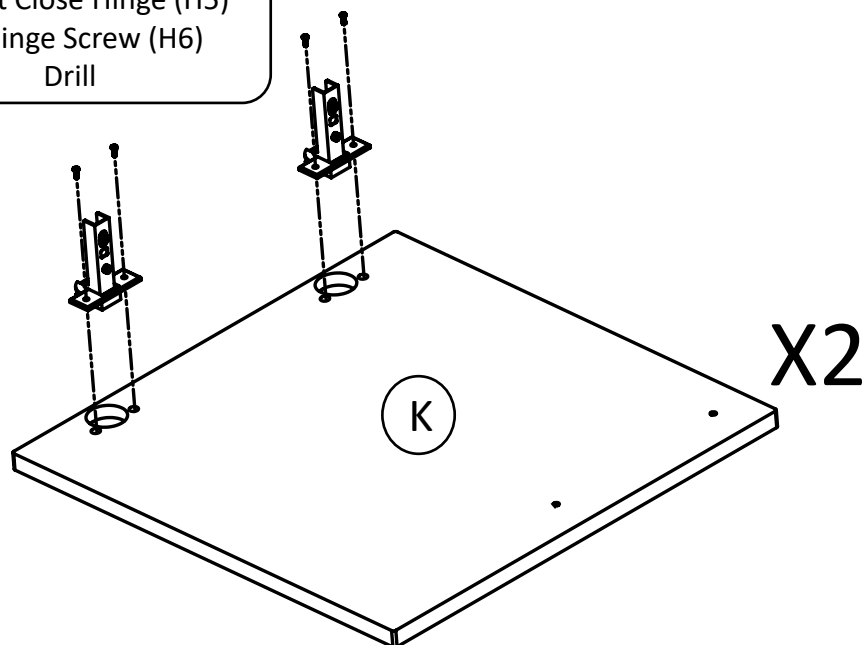


Apply **Door Bumpers (H7)** to designated areas.

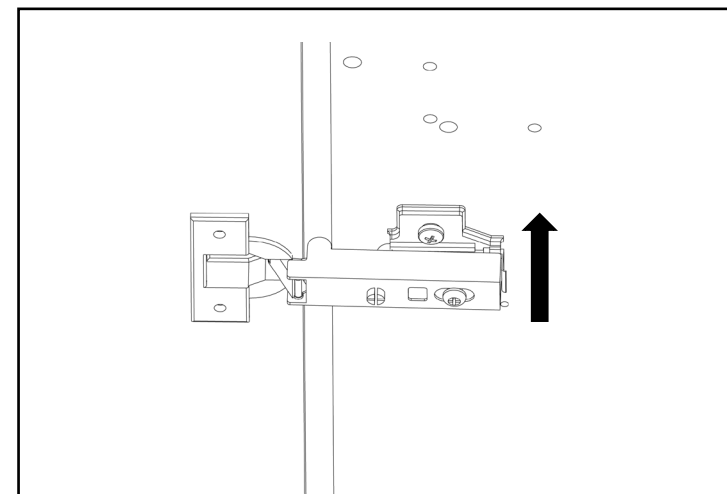
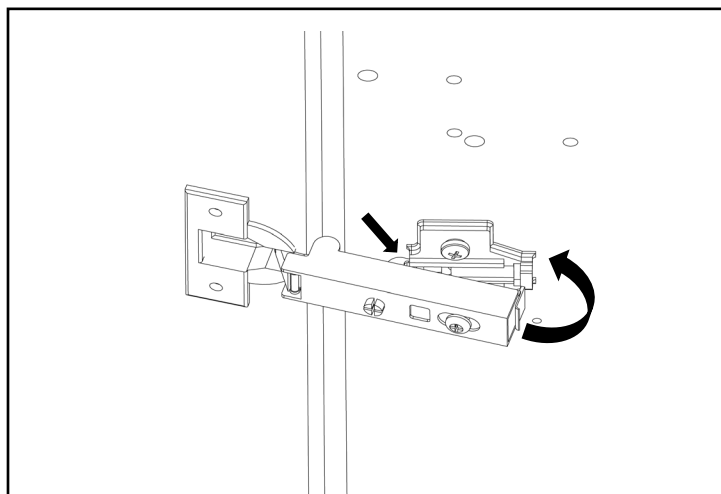
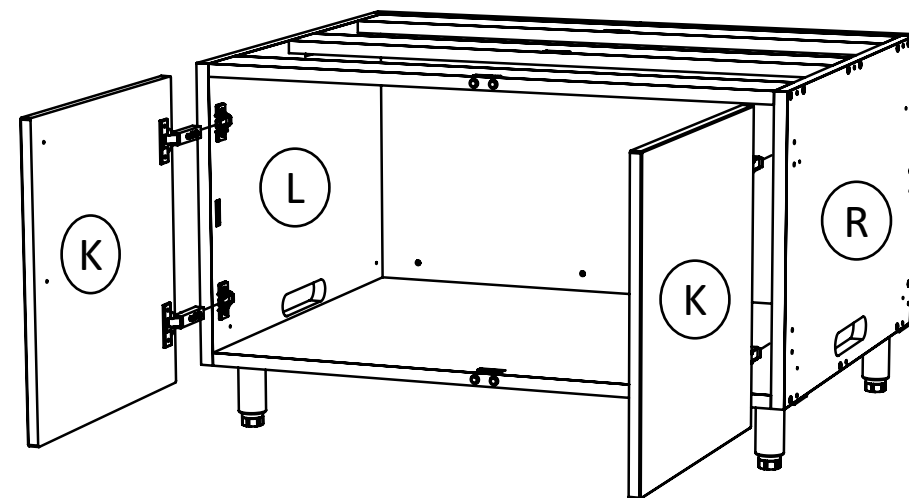
## STEP 12

### REQUIRES

- 4 x Soft Close Hinge (H5)
- 8 x Hinge Screw (H6)
- Drill



## STEP 13



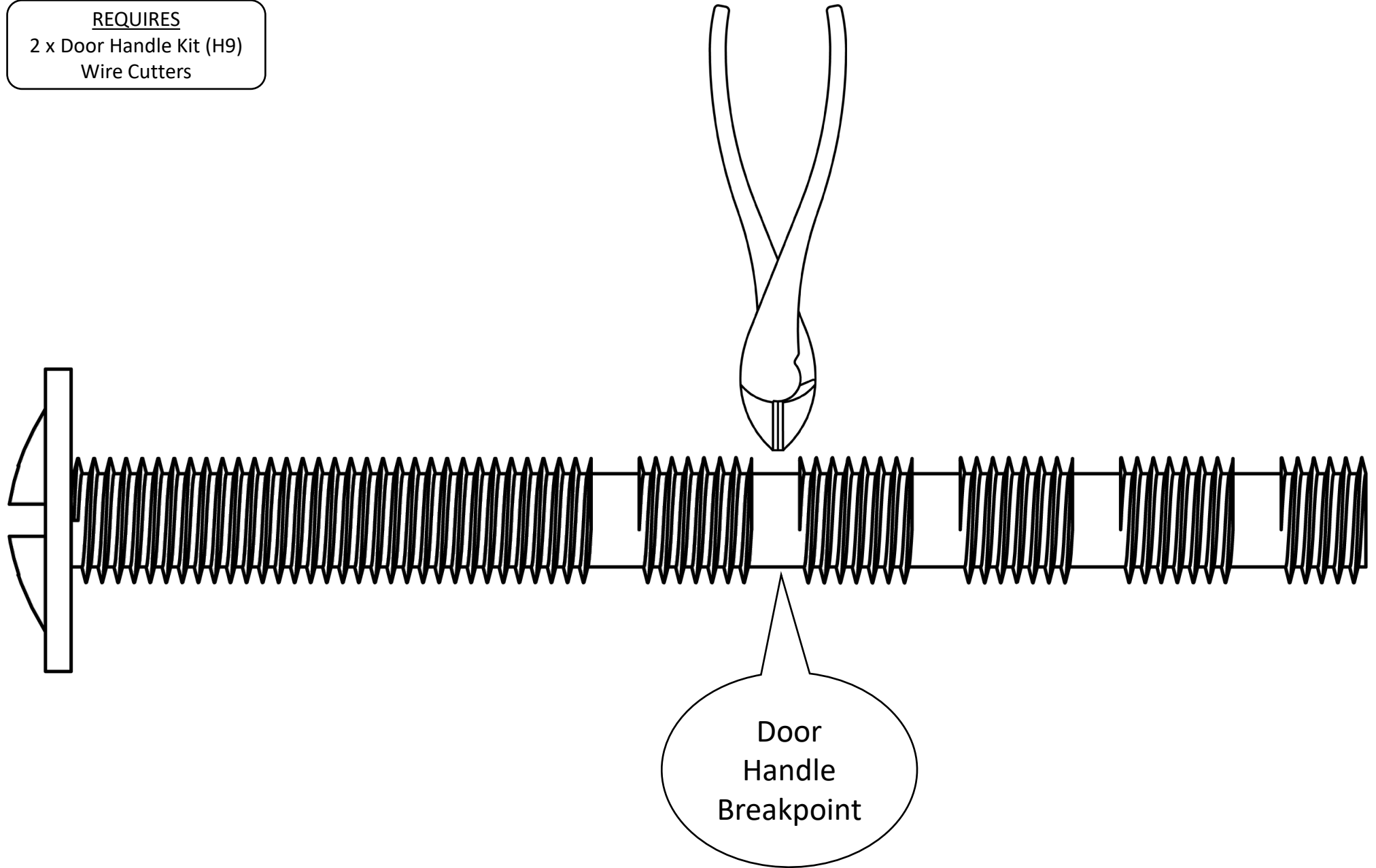
Lay the **Doors (I)** face-down on a smooth flat surface and insert 4 **Soft Close Hinges (H5)**. Make sure the screw holes align. Using the **Drill** and 8 **Hinge Screws (H6)** screw the **Soft Close Hinges (H5)** to **Doors (I)**.  
To attach the **Door (I)** – Locate the small 'hooks' on the underside of the **Soft Close Hinge** and hook them under the front of the **Hinge Plate**, then press the back of the **Hinge** towards the Plate until it 'clicks' into place. Repeat for the remaining **Hinges**.

## STEP 14

### REQUIRES

2 x Door Handle Kit (H9)

Wire Cutters

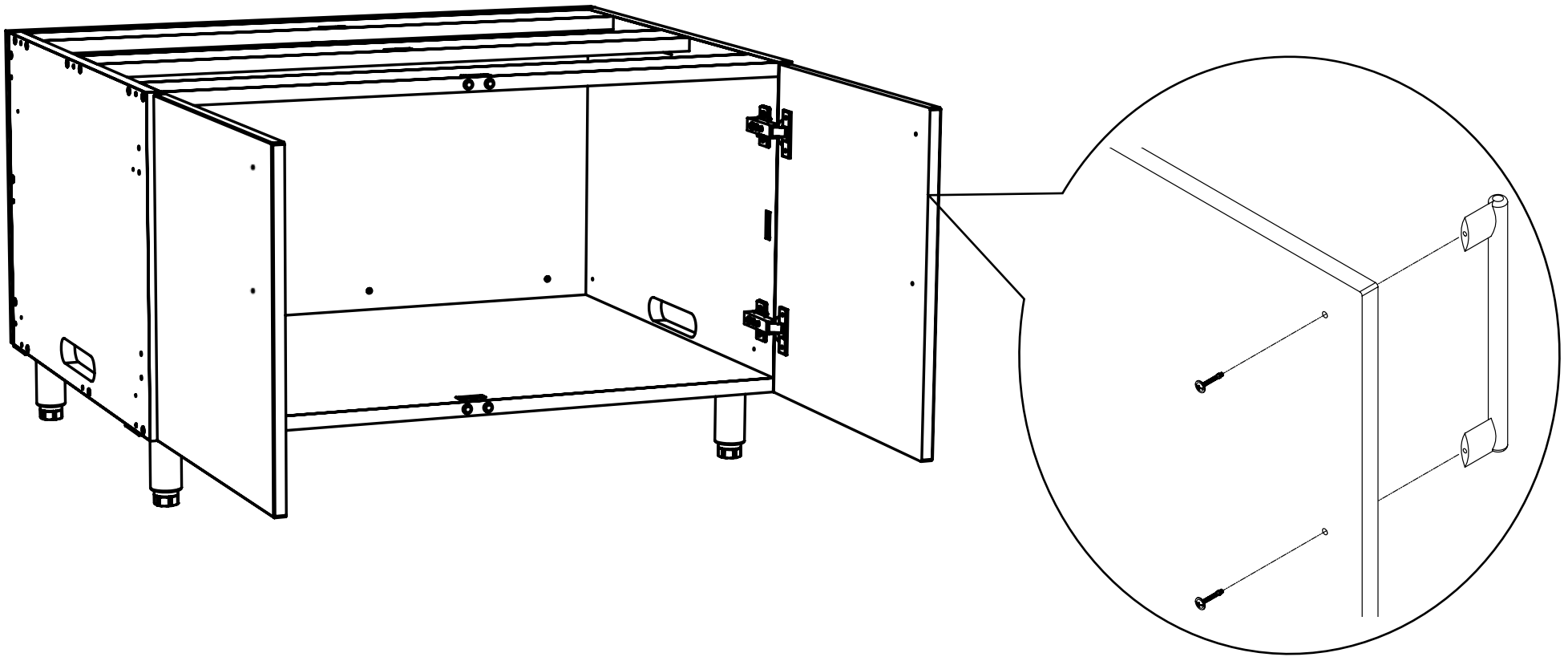


Use **Wire Cutters** or **Pliers** to cut the **Handle Screws** at the **Door Handle** break point

## STEP 15

### REQUIRES

2 x Door Handle Kit (H9)



Screw door handle to both **Doors** (V) using the screws in the previous step.

# Care and Adjustment Guide

## AFTER INSTALLATION CARE

After your cabinets have been installed, wipe down all surfaces with a damp cloth to remove dust. A soft cloth or sponge with mild dishwashing liquid can be used if needed. For tougher to clean spots, wash with Simply Green.

## EVERYDAY CARE

**Salt Water Environments:** Oceanfront environments with salt air and sea spray will require regular maintenance and cleaning to prevent rust from forming on the handles, hinges, legs and drawer runners. Clean stainless steel surfaces several times a month to keep the chemical reaction, from the salt, from gaining a foothold on the hardware. With regular cleaning, your cabinets will look like new for many years. To achieve maximum corrosion and stain resistance, the surface of the stainless steel must be kept clean.

**NEVER** use abrasive cleaners, scouring pads, or powdered cleansers.

## HARDWARE CARE

Use mild soap and warm water to clean stainless steel legs and door handles. Thoroughly dry hardware surfaces after cleaning. **DO NOT** use silver or brass polish.

## GRILL & SIDE BURNER CABINET

Under no circumstance should a grill or side burner be installed without the appropriate heat liner specified by the manufacturer of the appliance.

## HEAT APPLIANCES

Free-standing grills with adequate space from direct heat are recommended, or “built-in grills” with an insulated liner provided by the grill manufacturer.

## LIGHT EXPOSURE

Cabinet sides and backs that will be exposed to direct sunlight and other weather elements **MUST** be covered by a matching end panel in coordinating High-Density Polyethylene (HDPE). Failure to install these protective panels will void the cabinet warranty.

## Door Alignment

Cabinets feature a 6-way adjustable hinge that will allow you to adjust and align all the doors after installation

1. The center screw will adjust the door from side to side
2. The top and bottom screws in the hinge plate will allow adjustment up and down
3. The back screw will adjust the door in and out

*Please Note:* These are soft-close hinges and will close slower at first.

