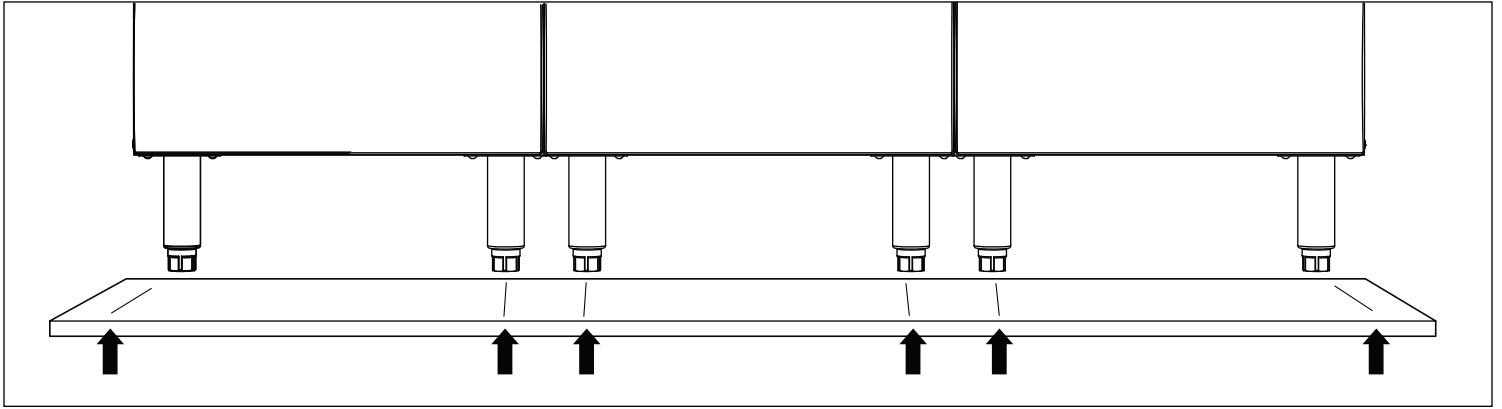
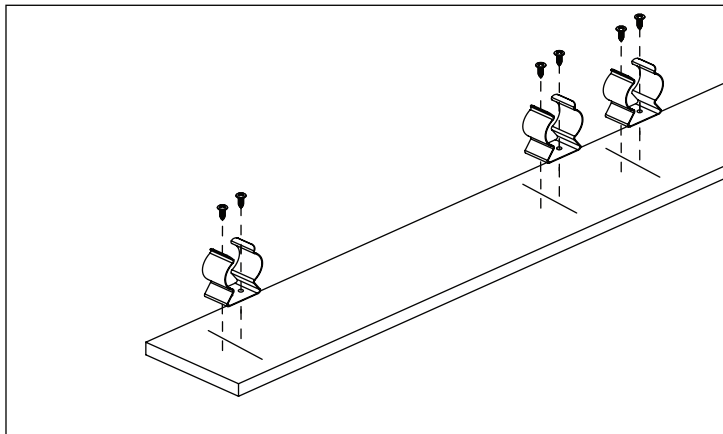


# Toe Kick Application

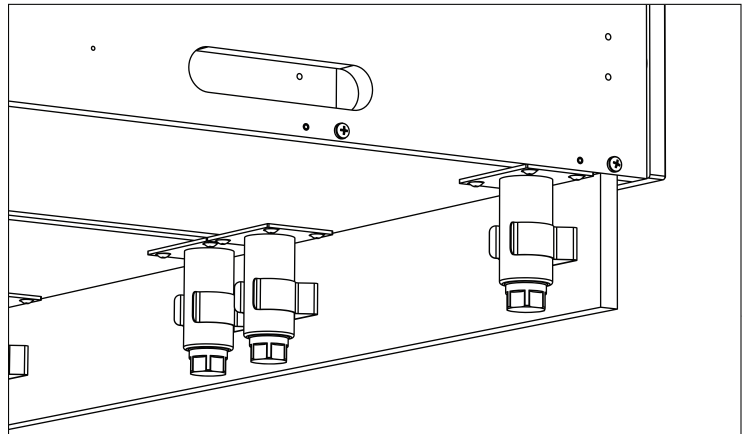
- 1** Lay the trimmed Toe Kick panel in front of the cabinet against the Leveling Legs. Mark the location of each Leg on the back of the panel. Clips are not needed on all Leg locations, but enough for a secure hold



- 2** Center the Clip Plates half way up the height of the panel, screw into place. Then slide a Clip into each Plate.



- 3** Align the Panel and push the clips onto the Legs



If applying Toe Kick around corners, adjacent panels will clip to the same corner Leg. Be sure to stagger the Clip Plate heights so they overlay properly

