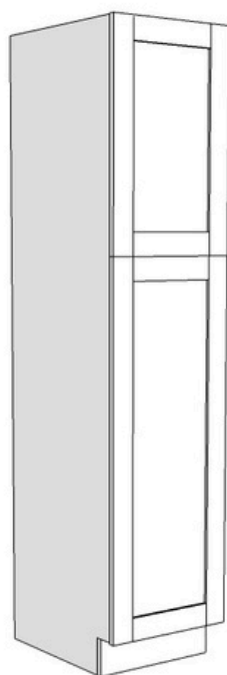


84" or 90" Tall Utility Cabinet Assembly Guide



IMPORTANT NOTES

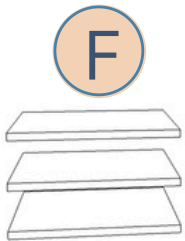
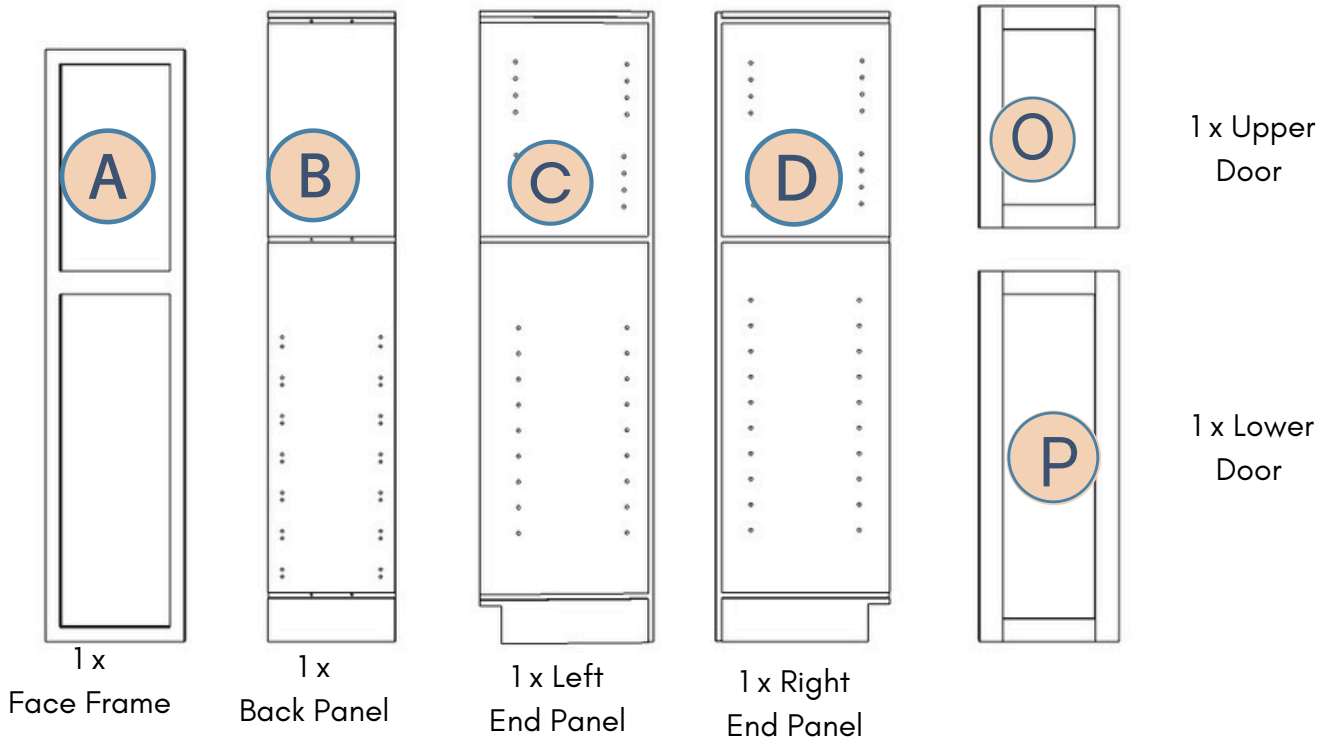
Before you start, inspect all panels and hardware to ensure you have everything needed.

We recommend laying the panels on some cardboard to protect the finish when assembling.

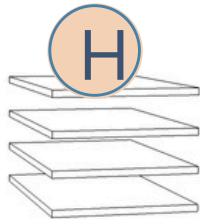
In addition to the tan Connector Brackets supplied, we recommend adding a bead of white wood glue into each dado groove, as you assemble, to create the strongest cabinet.

84" or 90" Tall Utility Cabinet

PARTS



3 x Fixed Shelves



Adjustable Shelves
4 x for 84" High
5 x for 90" High



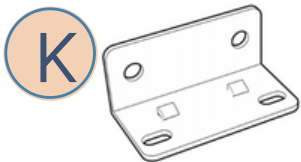
1 x Integral Toe Kick



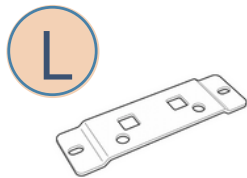
Locking Shelf Rests
16 x for 84" High
20 x for 90" High



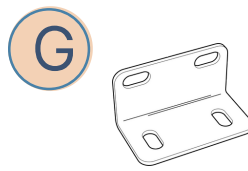
Hinges
5 x for 84" High
6 x for 90" High



16 x Tan RTA L-Brackets








16 x Tan RTA Connector Plates



2 x L-Brackets

4 x Bumpers



-  8 - #8 x 1/2" Pan Head Screws
-  80 - #6 x 1/2" Pan Head Screws
-  8 - #6 x 5/8" Flat Countersink Screws
-  6 - #8 x 7/8" Pan Washer Head Screws
-  6 - #6 x 1" Flat Countersink Screws

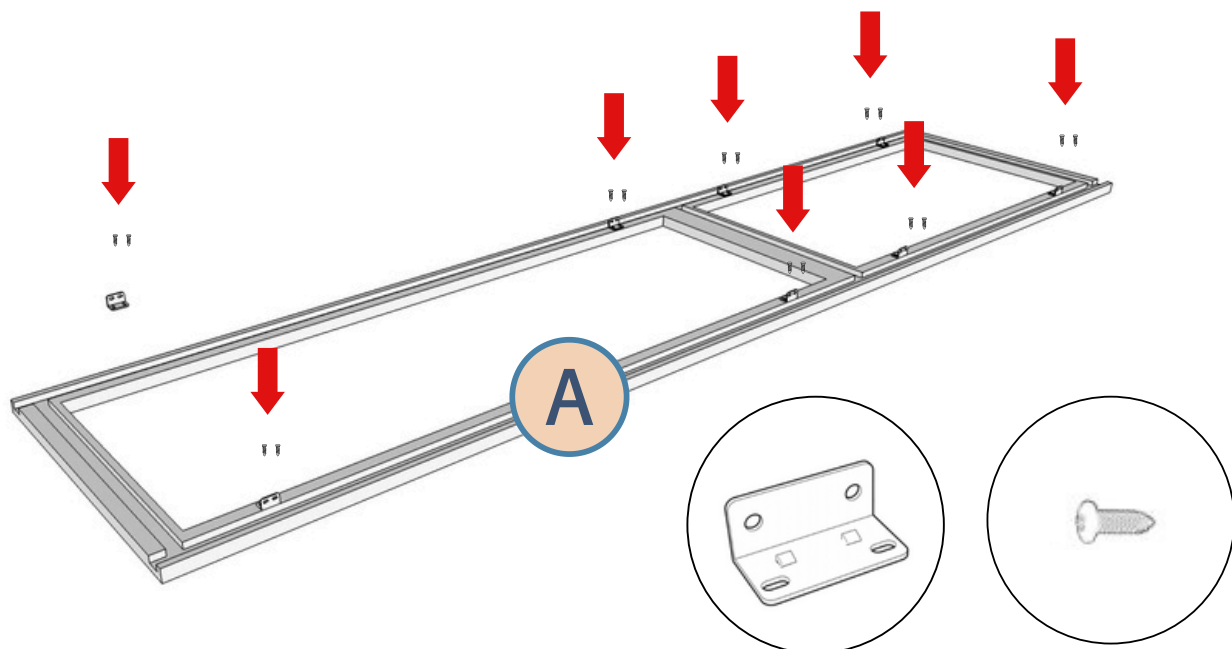
REQUIRED TOOLS



84" or 90" Tall Utility Cabinet

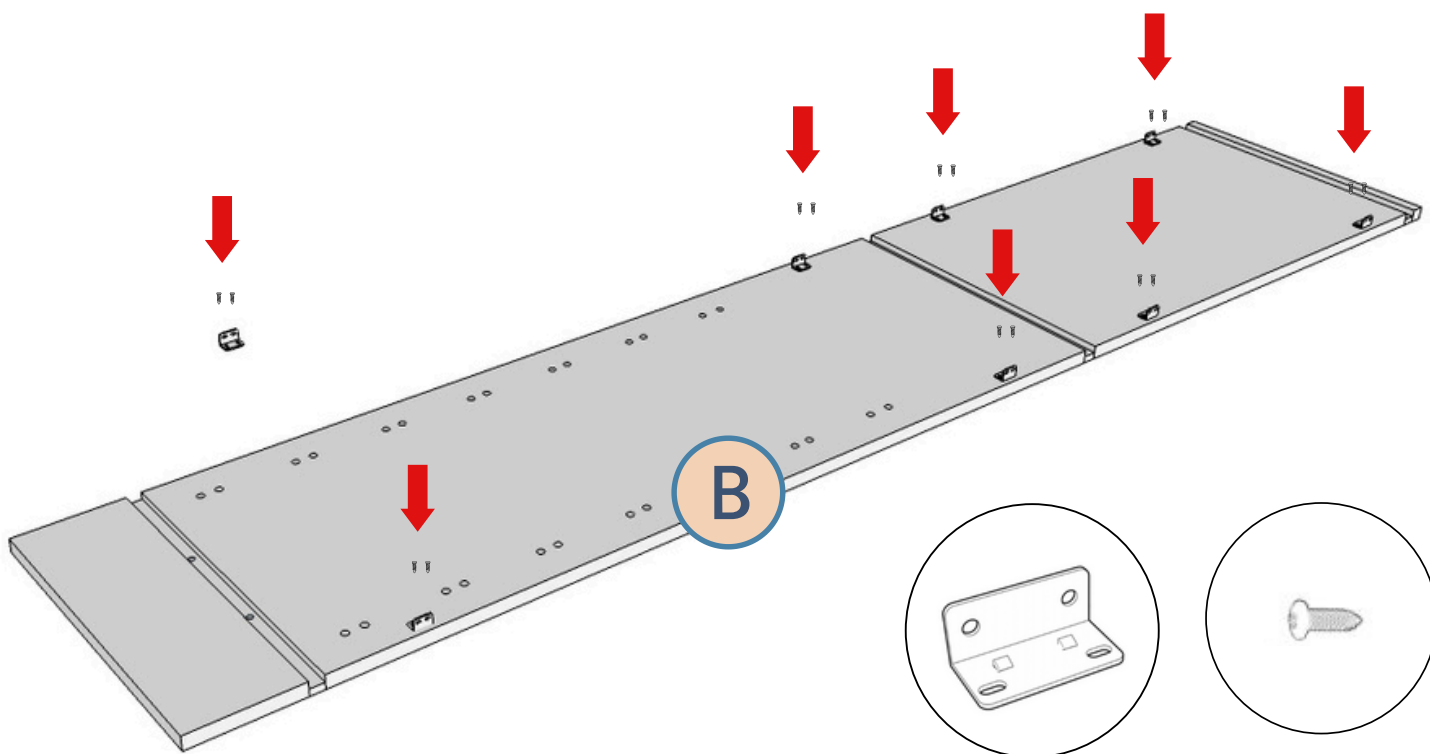
Step 1

Lay Frame (A) face down on a smooth flat surface, install (8) tan L-Brackets (K) using (16) #6 x 1/2" Pan Head screws.



Step 2

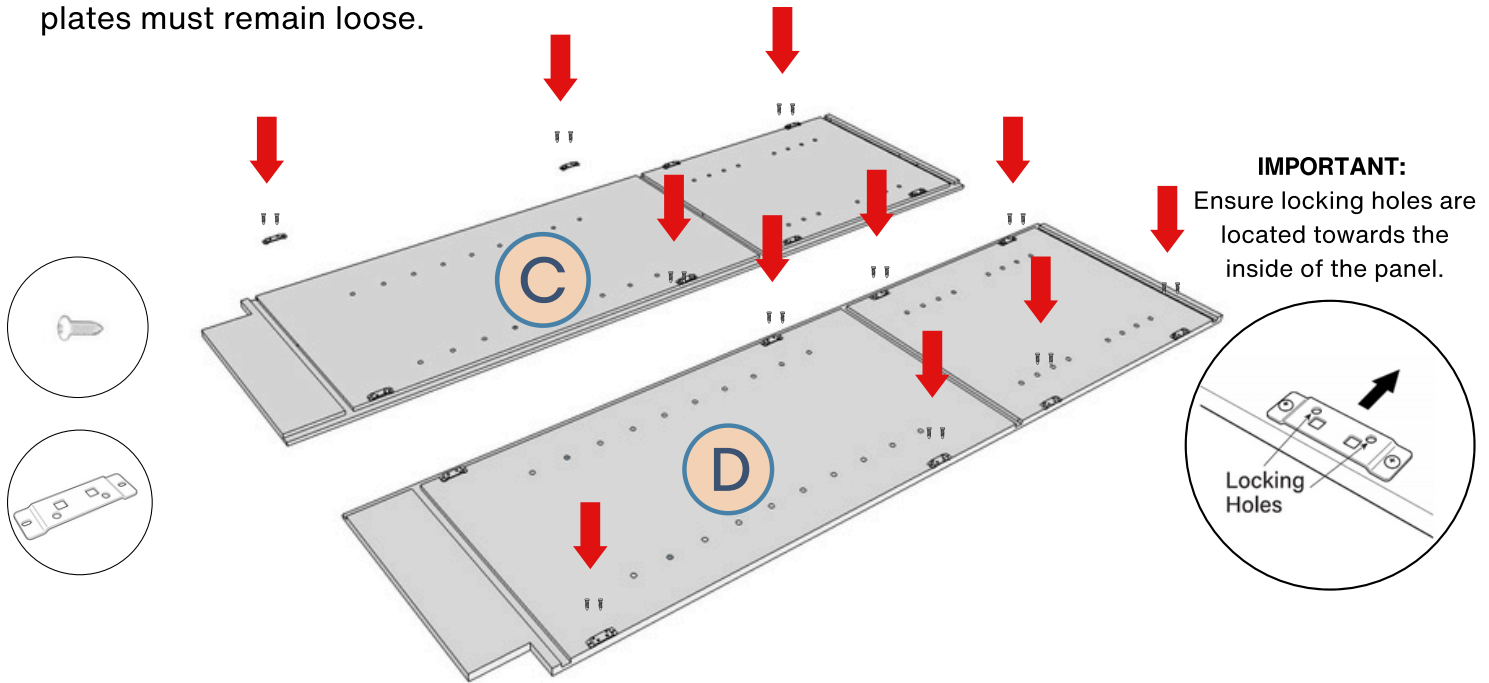
Place Back Panel (B) on a flat smooth surface and install (8) tan L-Brackets (K) using (16) #6 x 1/2" Pan Head screws.



84" or 90" Tall Utility Cabinet

Step 3

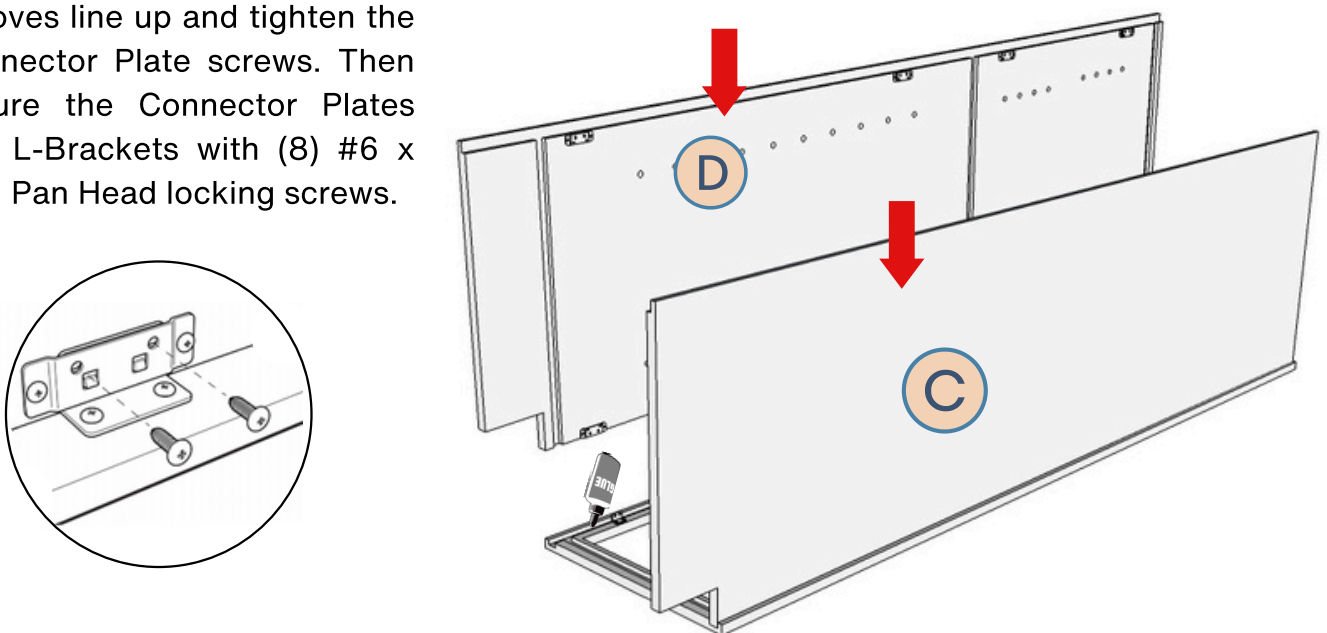
Place Left and Right End Panels (C and D) on a flat smooth surface and install (16) x tan Connector Plates (L) using (32) #6 x 1/2" Pan Head screws. Do not fully tighten, as the plates must remain loose.



Step 4

Run a bead of wood glue in vertical grooves in the Frame (A) and insert End Panels (C and D) into the grooves, so that L-Brackets (K) and Connector Plates (L) 'snap' together.

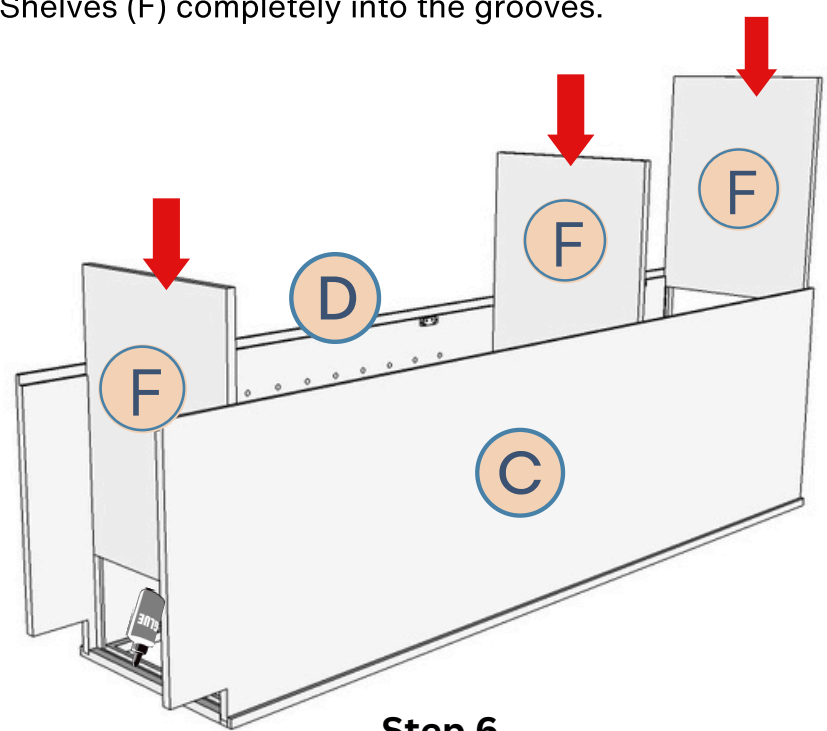
Align the panels so the dado grooves line up and tighten the Connector Plate screws. Then secure the Connector Plates and L-Brackets with (8) #6 x 1/2" Pan Head locking screws.



84" or 90" Tall Utility Cabinet

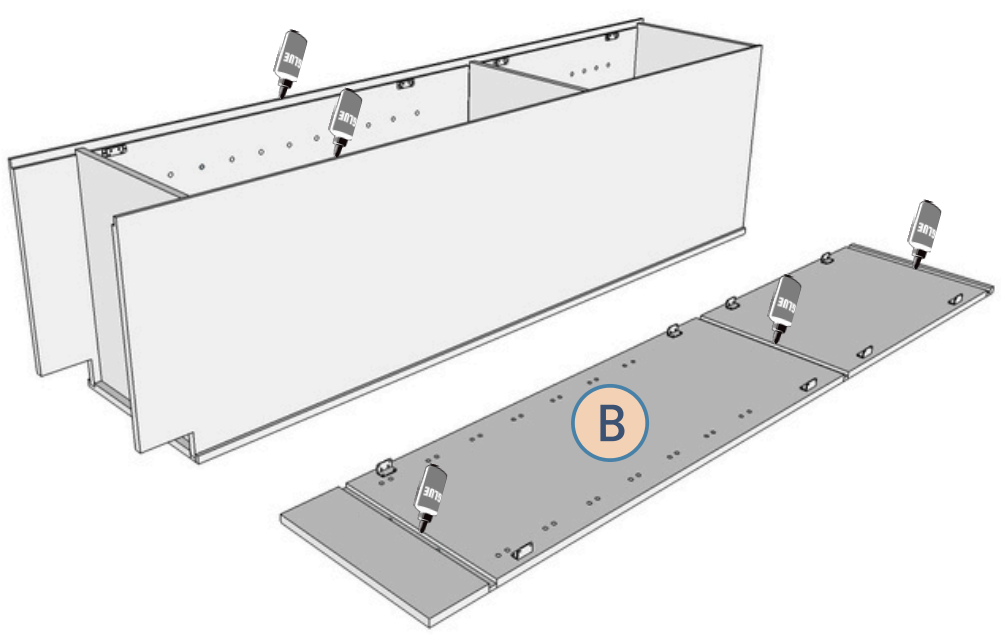
Step 5

Apply beads of glue into the horizontal grooves in the Frame (A) and End Panels (C and D) and slide Fixed Shelves (F) completely into the grooves.



Step 6

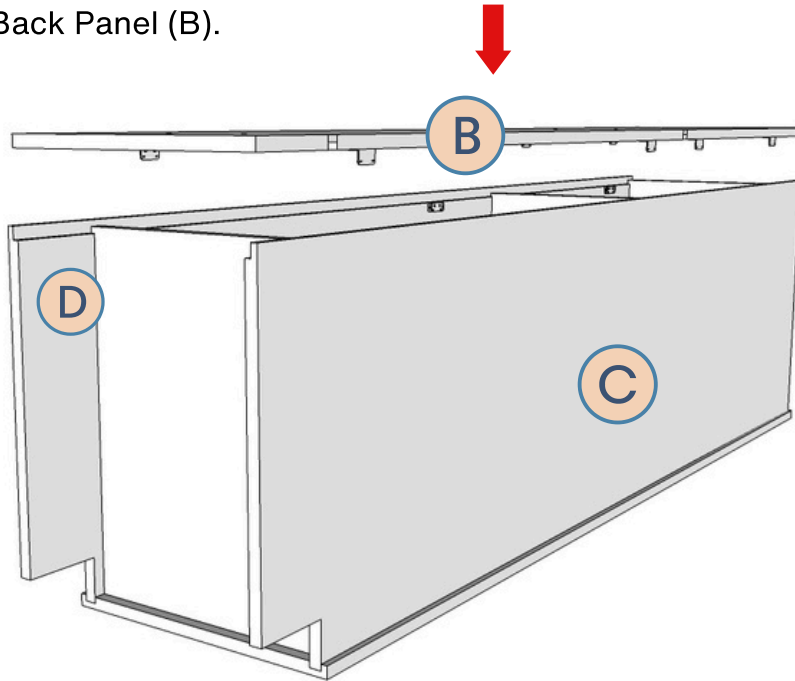
Apply beads of glue into the grooves in rear of End Panels (C and D) and horizontal grooves in Back Panel (B).



84" or 90" Tall Utility Cabinet

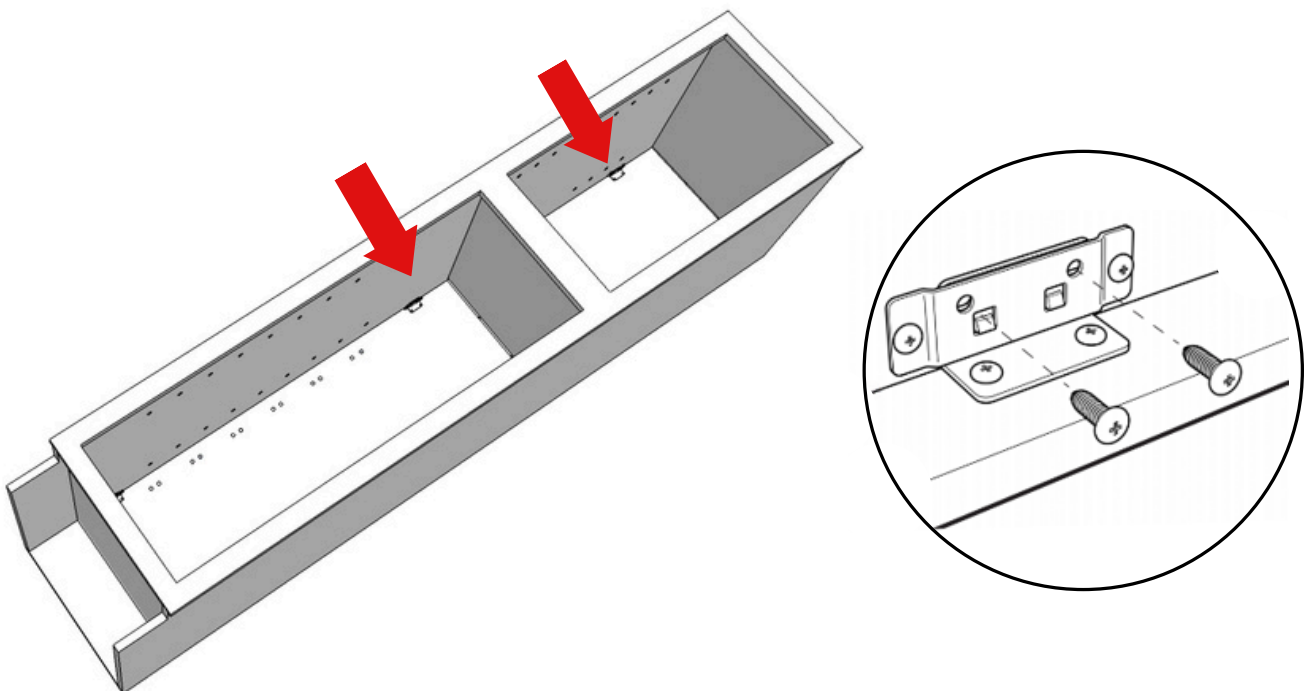
Step 7

Carefully align Back Panel (B) into grooves in rear of End Panels (C and D), so that L-Brackets (K) and Connector Plates (L) snap together. Ensure Fixed Shelves (F) slot into grooves in Back Panel (B).



Step 8

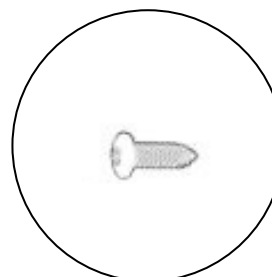
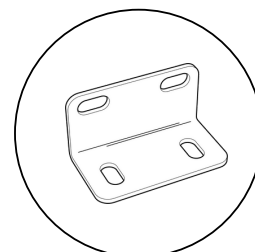
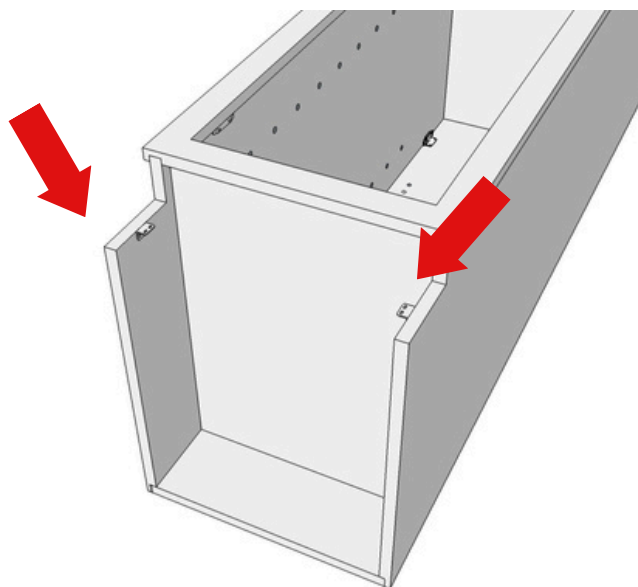
Carefully turn the cabinet over, make sure it is square and secure Connector Plates and L-Brackets with (8) #6 x 1/2" Pan Head locking screws.



84" or 90" Tall Utility Cabinet

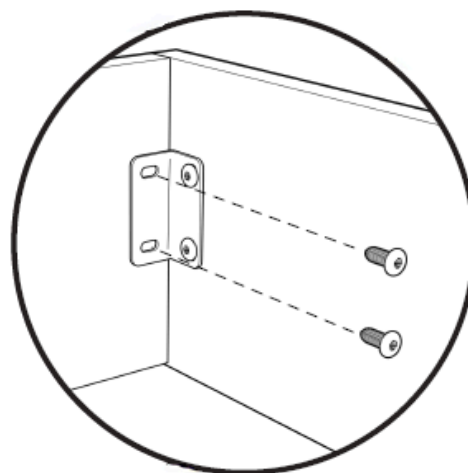
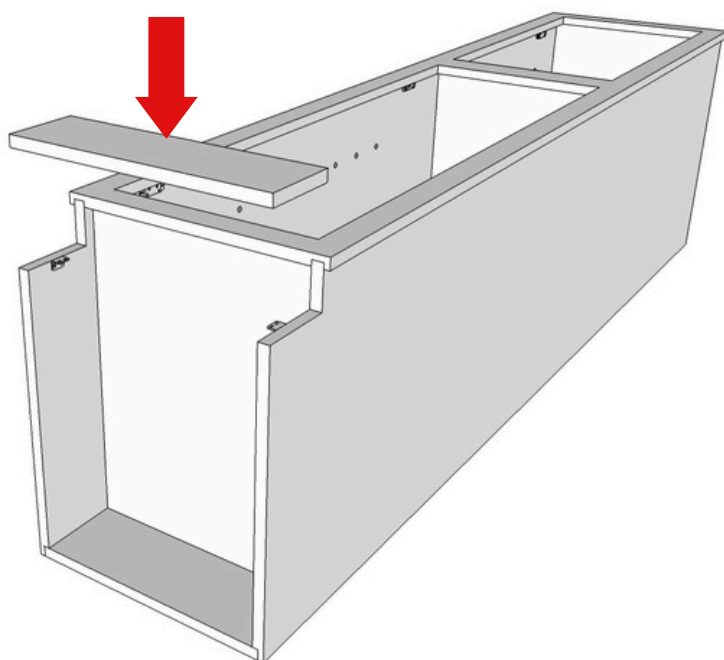
Step 9

At the Toe Kick cutout, attach (2) silver L-brackets (G) to the End Panels (C and D) with (4) #8 x 1/2" Pan Head screws.



Step 10

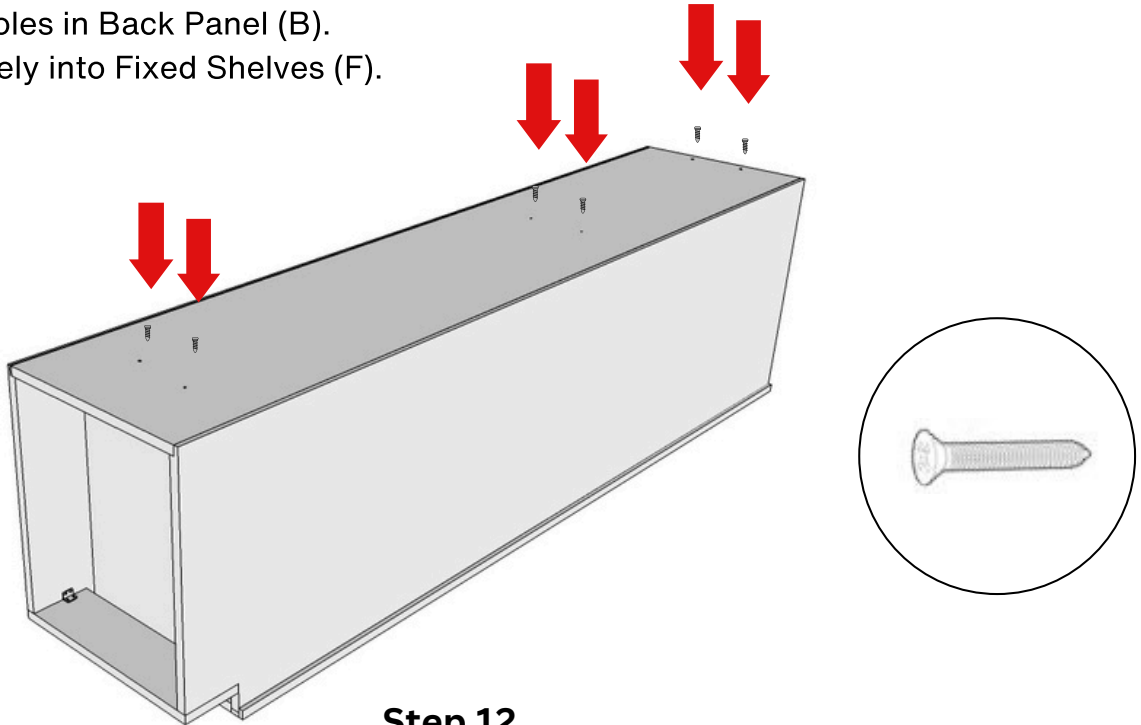
Attach integral Toe Kick (E) and secure with (4) #8 x 1/2" Pan Head screws.



84" or 90" Tall Utility Cabinet

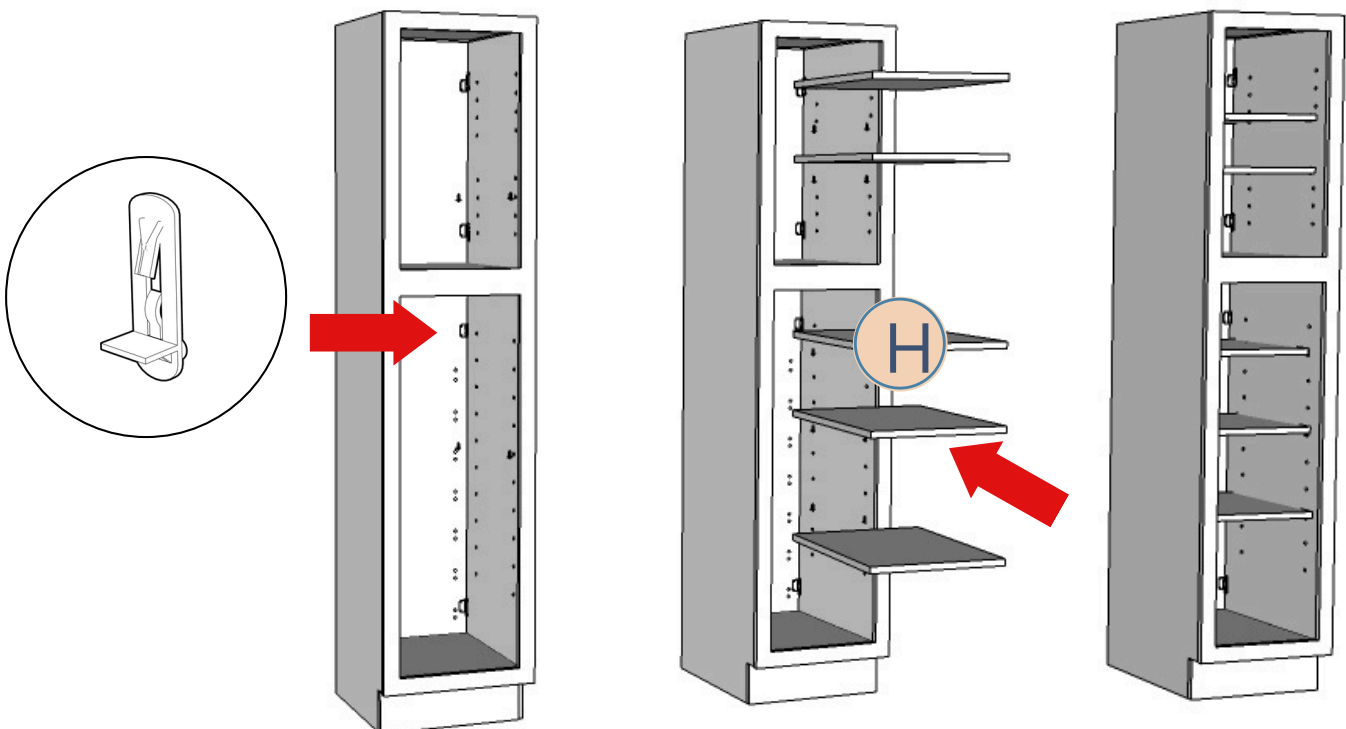
Step 11

Turn the cabinet over again, check it is square and insert (6) #6 x 1" Flat Head screws through the holes in Back Panel (B). Tighten securely into Fixed Shelves (F).



Step 12

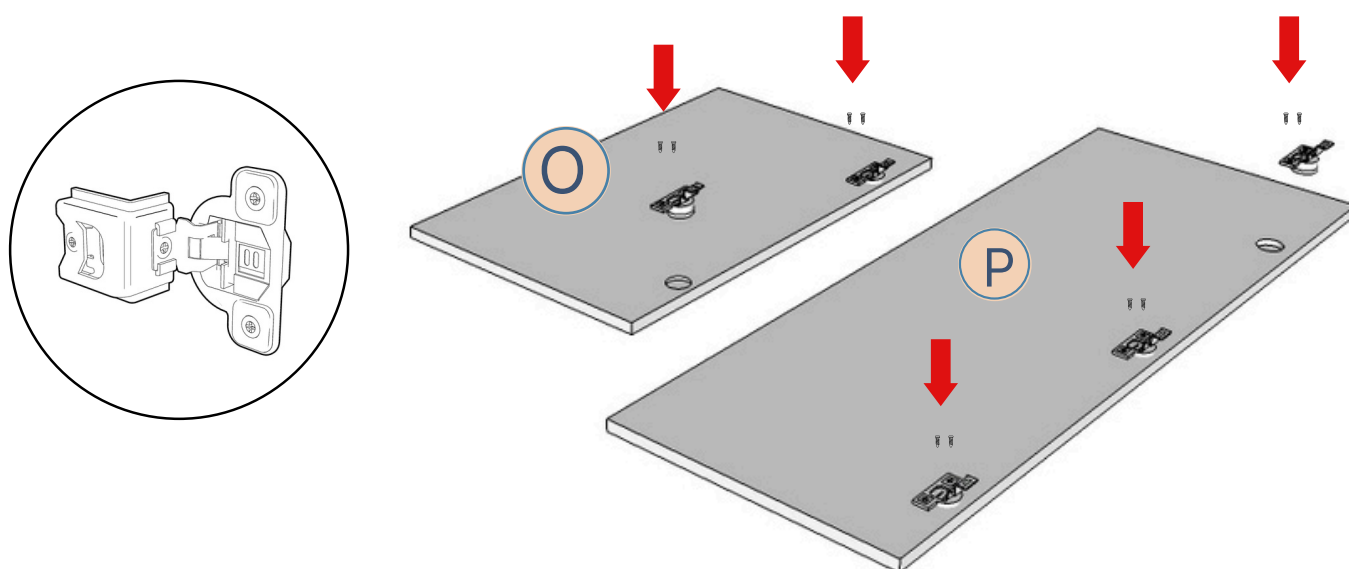
Insert (16-20) Locking Shelf Rests (N) in desired locations and install Adjustable Shelves (H)



84" or 90" Tall Utility Cabinet

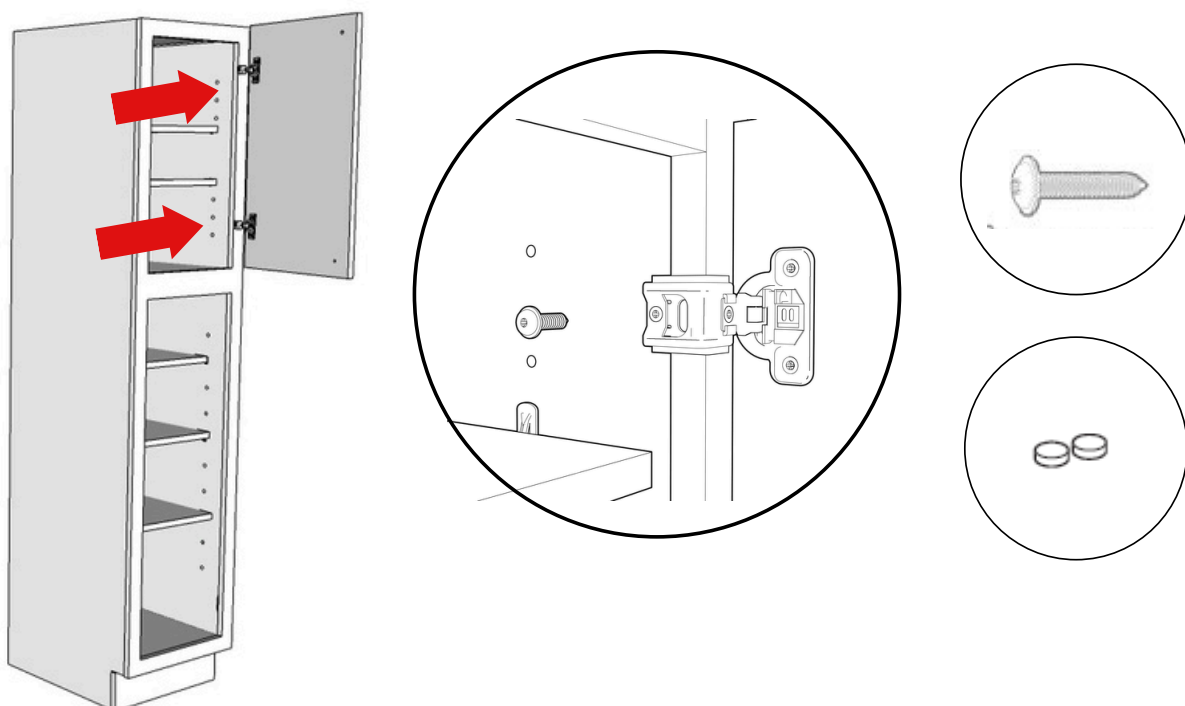
Step 13

Lay the Doors (O and P) face down on a smooth surface and install (5-6) Hinges (Q) using (10-12) #6 x 5/8" Flat Head Screws



Step 14

Attach Upper Door (O) to the Face Frame (A) using (2) #8 x 7/8" Pan Washer Head screws and install (2) Clear Bumpers



84" or 90" Tall Utility Cabinet

Step 15

Attach Lower Door (P) to the Face Frame (A) using (6) #8 x 7/8" Pan Washer Head screws and install (2) Clear Bumpers.

